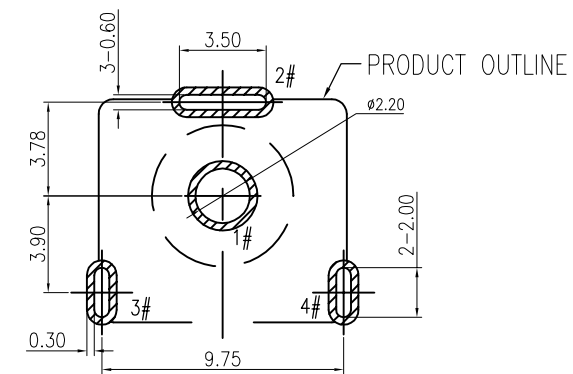
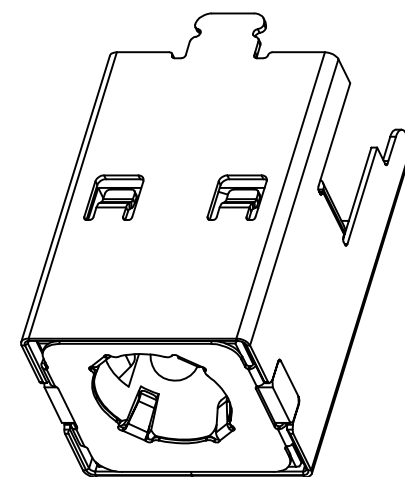
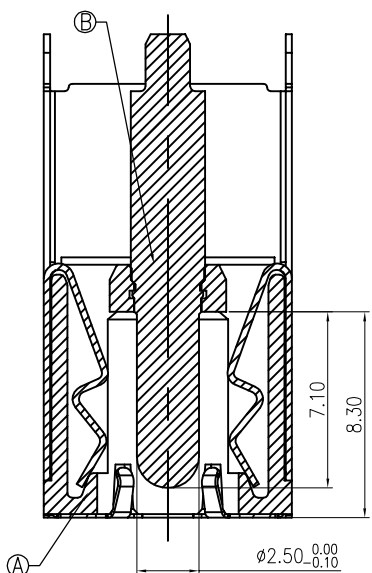
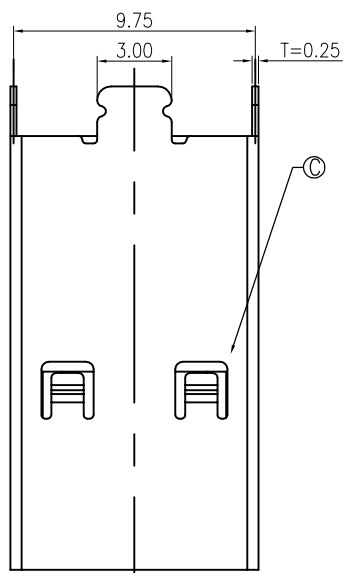
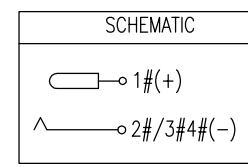
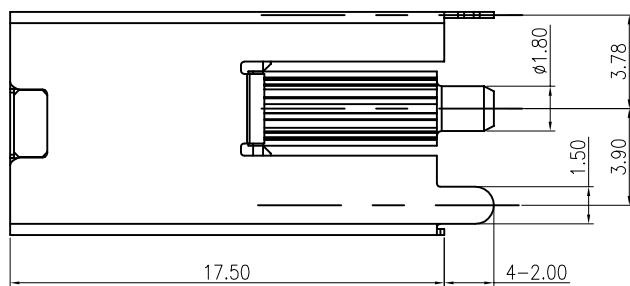
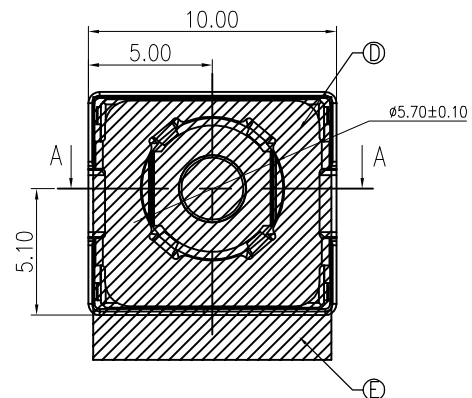


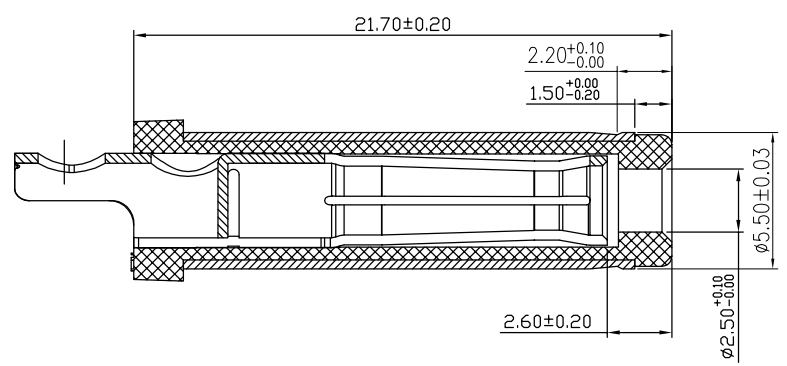
| 修 订    | 标 记  | 修 改 描 述              | 签 名       | 日 期        |
|--------|------|----------------------|-----------|------------|
| REV NO | MARK | REVISION DESCRIPTION | SIGNATURE | DATE       |
|        |      | NEW DWG              |           | 2016-03-12 |



RECOMMENDED PCB LAYOUT  
TOP VIEW TOLERANCE:  $\pm 0.05$



- SPECIFICATION:
- RATING: DC 20V 20A
  - CONTACT RESISTANCE: 30m $\Omega$  MAX.(INITIAL) 50m $\Omega$  MAX.(FINAL)
  - INSULATION RESISTANCE: 100 M $\Omega$  MIN.
  - WITHSTAND VOLTAGE: 500 VAC
  - INSERTION FORCE: 3N~30N
  - EXTRACTION FORCE: 3N~30N
  - DURABILITY: 5,000 CYCLES



MATING PLUG  
DP550250-0188-6H

| NO. | DESCRIPTION | MATERIAL                | REMARKS                 | QTY |
|-----|-------------|-------------------------|-------------------------|-----|
| E   | MYLAR       |                         |                         | 1   |
| D   | GROUND      | SUS 304                 |                         | 1   |
| C   | SHELL       | COPPER ALLOY            | Ni 40u" MIN.            | 1   |
| B   | CENTER PIN  | BRASS                   | GOLD FLASH/Ni 40u" MIN. | 1   |
| A   | HOUSING     | HIGH TEMP.THERMOPLASTIC | BLACK                   | 1   |

**HDGC** 深圳市华德共创科技有限公司  
Shenzhen Huade co-create Technology Co.,LTD  
电话: 0755-23304126 传真: 0755-29940187

| X.X ±0.30   |            | X.X* ±3°          | APPD:<br>核准: | PART NO:<br>产品编号: DC550250-1080-2H |      |             |   |
|-------------|------------|-------------------|--------------|------------------------------------|------|-------------|---|
| X.XX ±0.20  | X.XX* ±2°  | CHECK:<br>校对: 王建业 | DATE         | SCALE                              | UNIT | CODE NUMBER | 8 |
| X.XXX ±0.10 | X.XXX* ±1° | DRAW:<br>绘图: 黄艳兰  | 2016-03-12   | 1:1                                | mm   | A001        |   |

## X-ON Electronics

Largest Supplier of Electrical and Electronic Components

*Click to view similar products for [DC Power Connectors](#) category:*

*Click to view products by [HDGC](#) manufacturer:*

Other Similar products are found below :

[KLDX-SMT-0202-BPTR](#) [171-0722-E](#) [K596](#) [KLD-0201-BC](#) [4C6831AX](#) [10073976-112LF](#) [LCB60PW-M](#) [LCB30PW-M](#) [LCB60PB-M](#)  
[LCC30PB-M](#) [LCB50PW-M](#) [LCB50-M](#) [LCB60-F](#) [LCC30-M](#) [LCB40PW-M](#) [LCC30PW-M](#) [LCB50-F](#) [LCB40-F](#) [LCB30-F](#) [LCC40-M](#)  
[LCC40PB-M](#) [LCB40PB-M](#) [LCC40-F](#) [LCB60-M](#) [LCC40PW-M](#) [LCB50PB-M](#) [DC-002-100](#) [DC-031A-130](#) [DC-031A-100](#) [DC-003A-130](#)  
[DC-045-130](#) [DC-192-130](#) [DC-033-130](#) [DC-011-100](#) [DC-002F-130](#) [DC-002-130](#) [DB-14-2F](#) [DC-183B](#) [DC-060-04A](#) [DC-099-200](#) [DC-015-](#)  
[250-A](#) [DC-016-200-A](#) [DC-005A-200](#) [DC-044A-200](#) [DC-088-200](#) [DC-022A-200](#) [DC-038-150](#) [DC-012A-250](#) [DC-005C-130](#) [DC-012A-200](#)