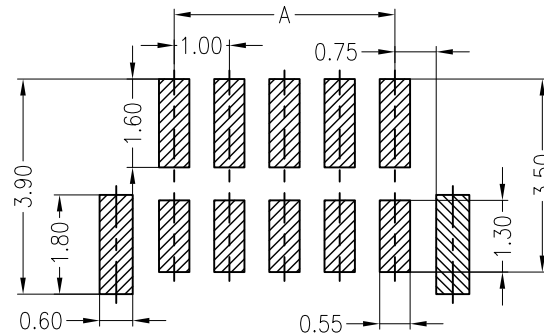
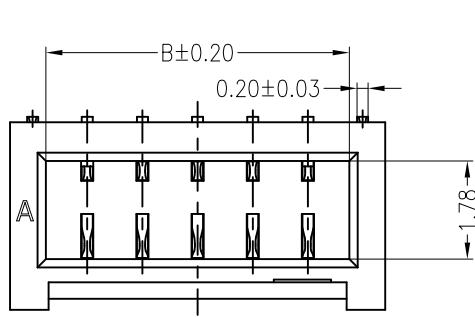


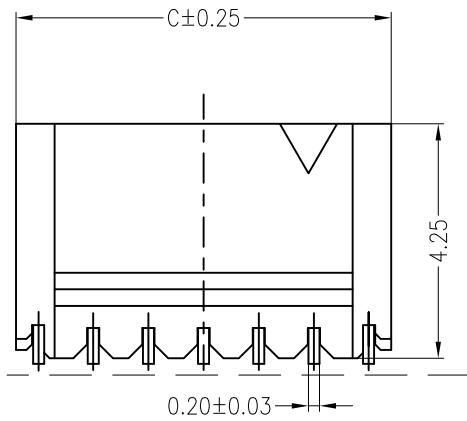
| 修订 REV | 标记 MARK | 修改摘要 REVISION DESCRIPTION | 签名 SIGNATURE | 日期 DATE |
|-----------|------------|------------------------------|-----------------|------------|
| AO | | NEW RELEASE | 黄艳兰 | 2021-07-19 |



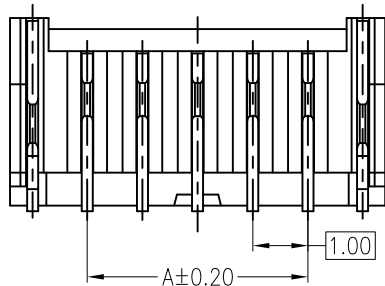
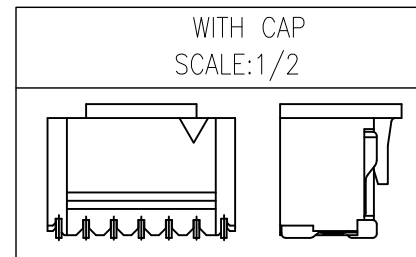
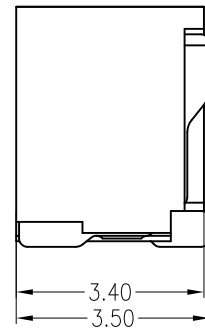
PCB LAYOUT(Tolerance:±0.05)

Specifications:

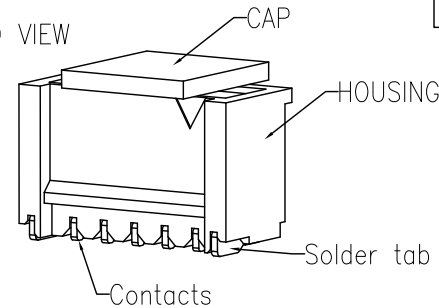
- Poles: 02 to 20
- Contact resistance: ≤20mΩ
- Insulation resistance: ≥100MΩ
- Rated voltage: 125V AC DC
- Rated current: 1.0A AC DC
- Withstand Voltage: 500V AC/minute
- Temperature Range: -25°C ~ +85°C
- Housing: PA6T UL94V-0, Natural
- Cap: PA6T UL94V-0, Natural
- Contacts: Phosphor Bronze/Matte Sn-plated
- Solder tabs: Phosphor Bronze/Matte Sn-plated



0.10



3D VIEW



| PIN | DIM A | DIM B | DIM C | PIN | DIM A | DIM B | DIM C |
|------|-------|-------|-------|------|-------|-------|-------|
| 2P | 1.00 | 2.50 | 3.80 | 12P | 11.00 | 12.5 | 13.8 |
| 3P | 2.00 | 3.50 | 4.80 | *13P | 12.00 | 13.5 | 14.8 |
| 4P | 3.00 | 4.50 | 5.80 | 14P | 13.00 | 14.5 | 15.8 |
| 5P | 4.00 | 5.50 | 6.80 | *15P | 14.00 | 15.5 | 16.8 |
| 6P | 5.00 | 6.50 | 7.80 | *16P | 15.00 | 16.5 | 17.8 |
| *7P | 6.00 | 7.50 | 8.80 | *17P | 16.00 | 17.5 | 18.8 |
| 8P | 7.00 | 8.50 | 9.80 | *18P | 17.00 | 18.5 | 19.8 |
| *9P | 8.00 | 9.50 | 10.8 | *19P | 18.00 | 19.5 | 20.8 |
| 10P | 9.00 | 10.50 | 11.8 | *20P | 19.00 | 20.5 | 21.8 |
| *11P | 10.00 | 11.50 | 12.8 | | | | |



深圳市华德共创科技有限公司

Shenzhen Huade co-create Technology Co., LTD

TEL: 0755-27111225 FAX: 0755-29940187

| -TOLERANCES- UNLESS OTHERWISE SPECIFIED 公差参数表 | | | | TITLE: 产品名称: NH1.0带扣立贴 | | | | |
|---|-------|--------|-----|---------------------------|------------------------------------|-------|------|-------------|
| X.X | ±0.30 | X.X° | ±3° | APPD: 核准: 谢亮 | PART NO: 产品编号: HDGC1002WVB-S-XP | | | |
| X.XX | ±0.30 | X.XX° | ±2° | CHECK: 校对: 王建业 | DATE | SCALE | UNIT | CODE NUMBER |
| X.XXX | ±0.10 | X.XXX° | ±1° | DRAW: 绘图: 黄艳兰 | 2021-07-19 | 1:1 | mm | A018 |

X-ON Electronics

Largest Supplier of Electrical and Electronic Components

Click to view similar products for [Headers & Wire Housings](#) category:

Click to view products by [HDGC](#) manufacturer:

Other Similar products are found below :

[57102-F02-18ULF](#) [58102-G61-06LF](#) [582553-1](#) [009176003701906](#) [01.001.5753.1](#) [0050291907](#) [02.125.8002.8](#) [609-3404](#) [61062-3](#)
[CSU011177004](#) [622-0430](#) [622-3653LF](#) [63453-116](#) [636-1030](#) [636-1427](#) [636-3427](#) [636-4007](#) [641938-9](#) [644827-2](#) [65495-038](#) [65692-001LF](#)
[65781-018](#) [65781-047](#) [65817-010LF](#) [65817-015LF](#) [66207-023LF](#) [67095-007LF](#) [67601157](#) [68631-112](#) [68645-018](#) [699319-000](#)
[M90C108951C](#) [70.362.1628.0](#) [70-4210](#) [70-4226B](#) [70-4853B](#) [707-5028](#) [71.350.2428.0](#) [71961-016LF](#) [733-134](#) [733-162](#) [754199-000](#) [760-](#)
[3052](#) [80.063.4001.1](#) [800-90-001-10-001000](#) [800-90-010-10-002000](#) [801-43-002-10-013000](#) [801-43-006-10-002000](#) [803-41-018-10-001000](#)
[803-43-024-10-001000](#)