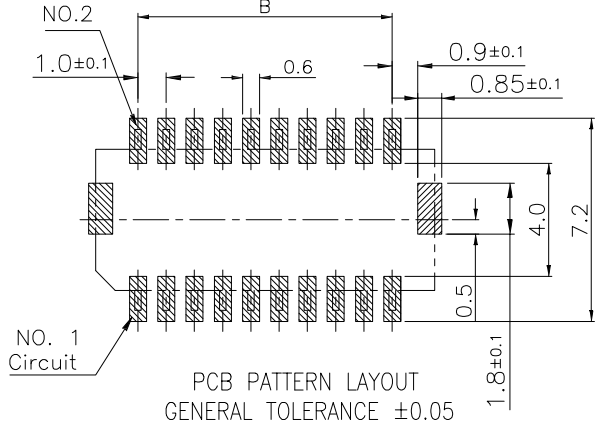
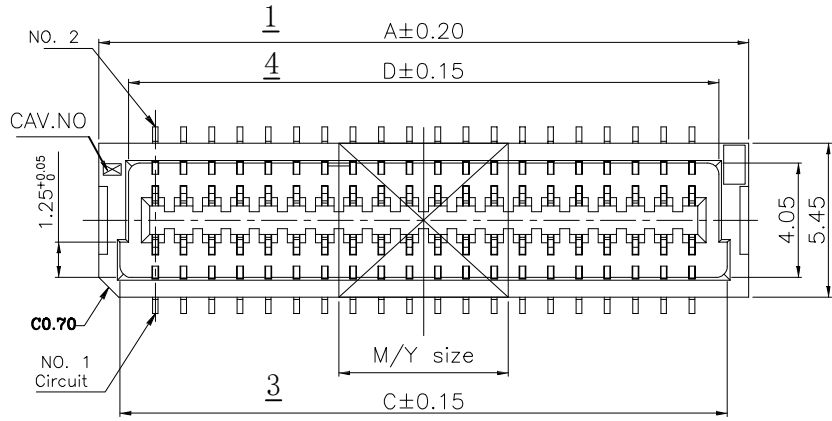
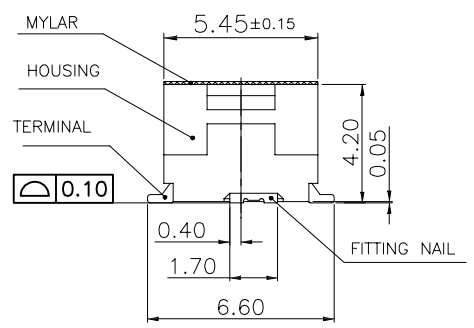
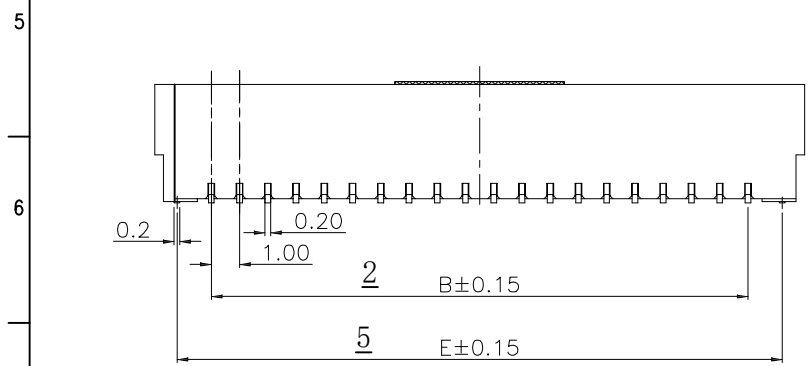


修 订 REV NO	标 记 MARK	修 改 描 要 REVISION DESCRIPTION	签 名 SIGNATURE	日 期 DATE
		NEW DWG		2016-03-12



- NOTES:
- MATERIAL:
    - HOUSING: HALOGEN FREE THERMOPLASTIC, HIGH TEMP.UL94V-0; COLOR:NATURAL.
    - CONTACT: COPPER ALLOY
    - FITTING NAIL: COPPER ALLOY
  - FINISH:
    - CONTACT & SOLDER:
      - 50~100u" NICKEL UNDER PLATING OVERALL
      - 3u" GOLD PLATING ON CONTACT
      - 80~150u" PURE-TIN PLATING OVERALL
    - GOLD FLASH ON CONTACT AND 80~150u"(MIN) MATT-TIN PLATING OVERALL
    - 15u" GOLD ON CONTACT AND 80~150u"(MIN) MATT-TIN PLATING OVERALL
  - FITTING NAIL:
    - 50~100u" NICKEL UNDER PLATING OVERALL
    - 80~150u" MATT TIN PLATING OVERALL
  - REFLOW SOLDER CAPABLE TO 260°C PER
  - Working voltage less than 36 volts (per pin)
  - Voltage: 50 Volts AC (per pin)
  - HOUSING: NY9T



CKT	DIMA	DIMB	DIMC	DIMD	DIME
2*3	6.0	2.0	4.5	3.8	4.43
2*4	7.0	3.0	5.5	4.8	5.43
2*5	8.0	4.0	6.5	5.8	6.43
2*6	9.0	5.0	7.5	6.8	7.43
2*7	10.0	6.0	8.5	7.8	8.43
2*8	11.0	7.0	9.5	8.8	9.43
2*9	12.0	8.0	10.5	9.8	10.43
2*10	13.0	9.0	11.5	10.8	11.43
2*11	14.0	10.0	12.5	11.8	12.43
2*12	15.0	11.0	13.5	12.8	13.43
2*15	18.0	14.0	16.5	15.8	16.43
2*20	23.0	19.0	21.5	20.8	21.43
2*25	28.0	24.0	26.5	25.8	26.43



深圳市华德共创科技有限公司  
Shenzhen Huade co-create Technology Co.,LTD  
电话: 0755-27111225 传真: 0755-29940187

-TOLERANCES- UNLESS OTHERWISE SPECIFIED 公差参数表		 	TITLE: 产品名称: SHLD1.0双排带扣立贴针座					
X.X	±0.30	X.X*	±3'	APPD: 核准:	PART NO: 产品编号: HDGC1006WV-S-2XnP			
X.XX	±0.20	X.XX*	±2'	CHECK: 校对: 王建业	DATE	SCALE	UNIT	CODE NUMBER
X.XXX	±0.10	X.XXX*	±1'	DRAW: 绘图: 黄艳兰	2016-03-12	1:1	mm	A001

## X-ON Electronics

Largest Supplier of Electrical and Electronic Components

*Click to view similar products for [Headers & Wire Housings](#) category:*

*Click to view products by [HDGC](#) manufacturer:*

Other Similar products are found below :

[57102-F02-18ULF](#) [58102-G61-06LF](#) [582553-1](#) [009176003701906](#) [01.001.5753.1](#) [0050291907](#) [02.125.8002.8](#) [609-3404](#) [61062-3](#)  
[CSU011177004](#) [622-0430](#) [622-3653LF](#) [63453-116](#) [636-1030](#) [636-1427](#) [636-3427](#) [636-4007](#) [641938-9](#) [644827-2](#) [65495-038](#) [65692-001LF](#)  
[65781-018](#) [65781-047](#) [65817-010LF](#) [65817-015LF](#) [66207-023LF](#) [67095-007LF](#) [67601157](#) [68631-112](#) [68645-018](#) [699319-000](#)  
[M90C108951C](#) [70.362.1628.0](#) [70-4210](#) [70-4226B](#) [70-4853B](#) [707-5028](#) [71.350.2428.0](#) [71961-016LF](#) [733-134](#) [733-162](#) [754199-000](#) [760-](#)  
[3052](#) [80.063.4001.1](#) [800-90-001-10-001000](#) [800-90-010-10-002000](#) [801-43-002-10-013000](#) [801-43-006-10-002000](#) [803-41-018-10-001000](#)  
[803-43-024-10-001000](#)