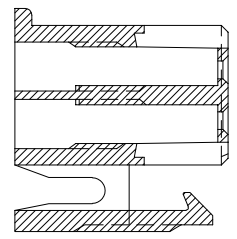
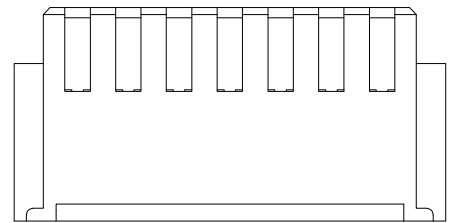


修订 REV	标记 MARK	修改摘要 REVISION DESCRIPTION	签名 SIGNATURE	日期 DATE
AO		NEW DWG		2023-09-25



A - A

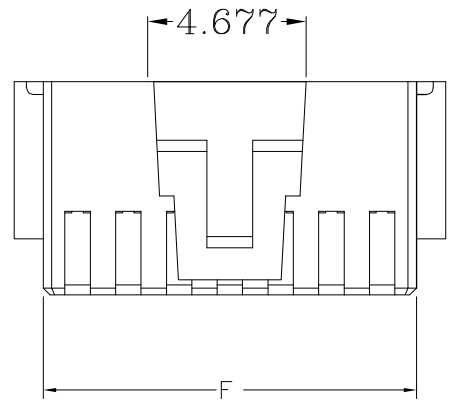
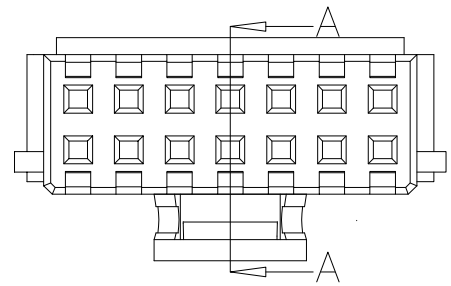
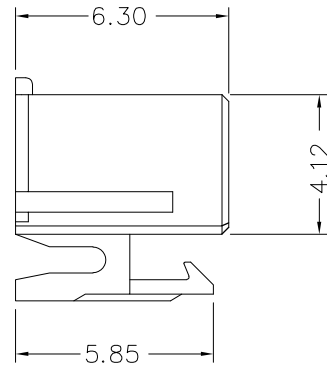
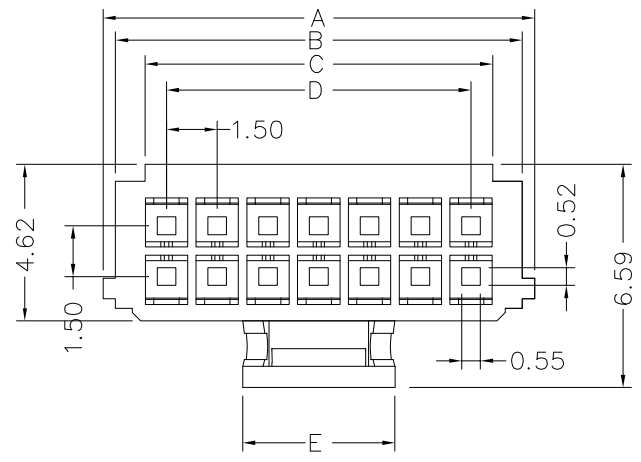
◆ SPECIFICATIONS

- Current rating: 2.0A AC, DC
- Voltage rating: 250V AC, DC
- Temperature range: -25°C ~ +85°C
- Insulation resistance: 500MΩ Min.
- Withstanding voltage: 500V AC/ minute.
- Contact resistance: 20mΩ Max.

Material:


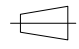
Insulator: Nylon 46 UL 94V-0
 Suitable: HDGC1508-T series Terminal,
 HDGC1508HM-2xXP series Dual Row Housing
 HDGC1508WVA-S-2xXP / WRA-S-2xXP series
 Dual Row Wafer.

2x20P	31.50	31.52	29.77	28.50	10.50	30.52
2x19P	30.75	30.02	28.27	27.00	10.50	29.02
2x18P	29.25	28.52	26.77	25.50	10.50	27.52
2x17P	27.75	27.02	25.27	24.00	10.50	26.02
2x16P	26.25	25.52	23.77	22.50	10.50	24.52
2x15P	24.75	24.02	22.27	21.00	10.50	23.02
2x14P	23.25	22.52	20.77	19.50	10.50	21.52
2x13P	21.75	21.02	19.27	18.00	10.50	20.02
2x12P	20.25	19.52	17.77	16.50	10.50	18.52
2x11P	18.75	18.02	16.27	15.00	10.50	17.02
2x10P	17.25	16.52	14.77	13.50	10.50	15.52
2x9P	15.75	15.02	13.27	12.00	10.50	14.02
2x8P	14.25	13.52	11.77	10.50	4.50	12.52
2x7P	12.75	12.02	10.27	9.00	4.50	11.02
2x6P	11.25	10.52	8.77	7.50	4.50	9.52
2x5P	9.75	9.02	7.27	6.00	4.50	8.02
2x4P	8.25	7.52	5.77	4.50	4.50	6.52
2x3P	6.75	6.02	4.27	3.00	3.00	5.02
2x2P	5.25	4.52	2.77	1.50	2.50	3.52
Circuits	A	B	C	D	E	F
Part NO.	Dimensions					

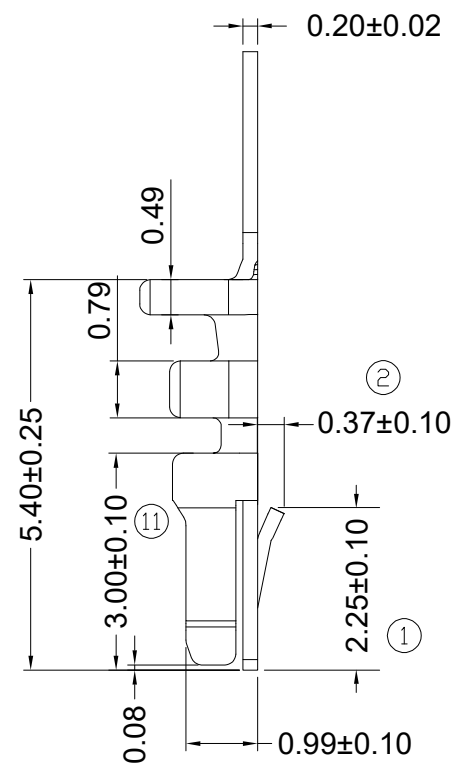
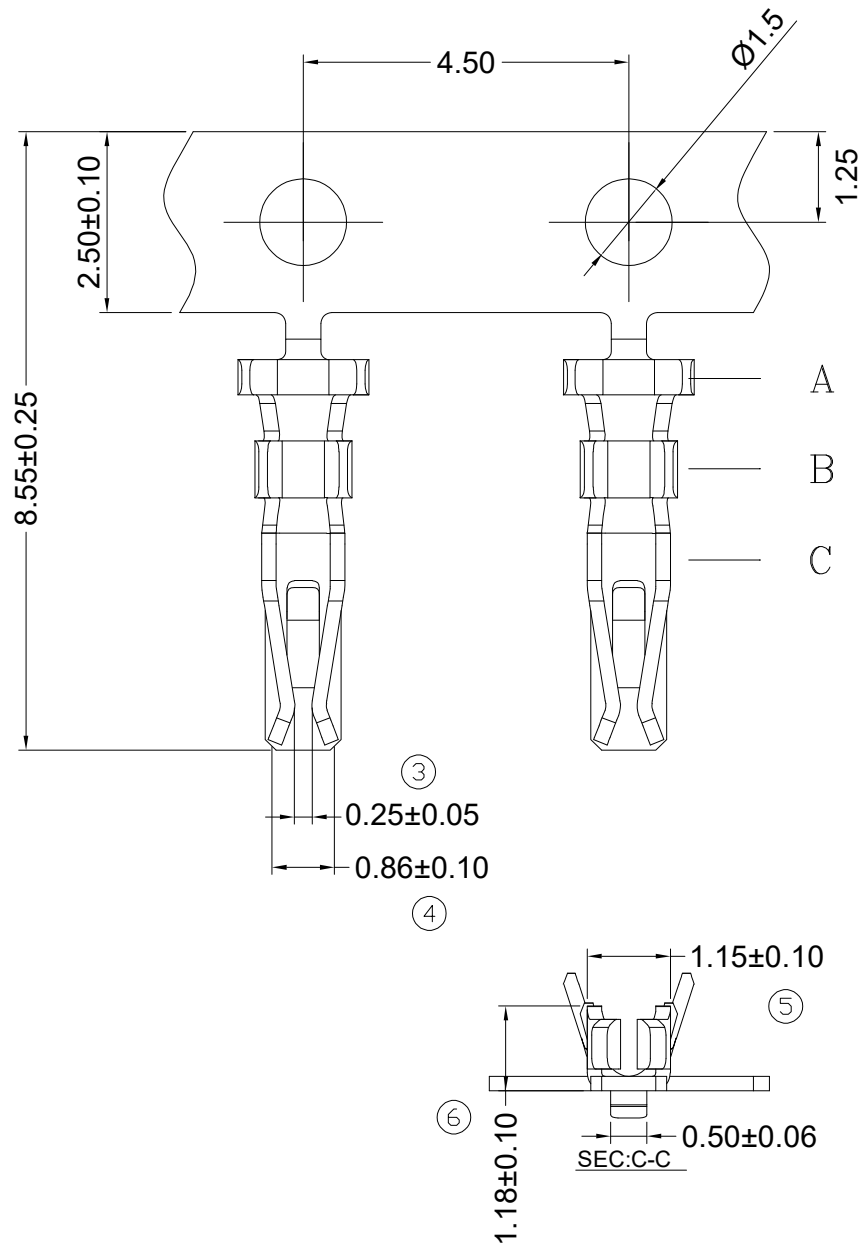




深圳市华德共创科技有限公司
 Shenzhen Huade co-create Technology Co.,LTD
 电话: 0755-27129737 传真: 0755-29940187

-TOLERANCES- UNLESS OTHERWISE SPECIFIED 公差参数表		 	TITLE: HDGC1.5带扣公壳 产品名称:			
X.X ±0.15	X.X* ±3'	APPD: 核准: 谢亮	PART NO: HDGC1508HA-2xXP 产品编号:			
X.XX ±0.05	X.XX* ±2'	CHECK: 校对: 王建业	DATE	SCALE	UNIT	CODE NUMBER
X.XXX ±0.03	X.XXX* ±1'	DRAW: 绘图: 黄艳兰	2023-09-25	1:1	mm	A001

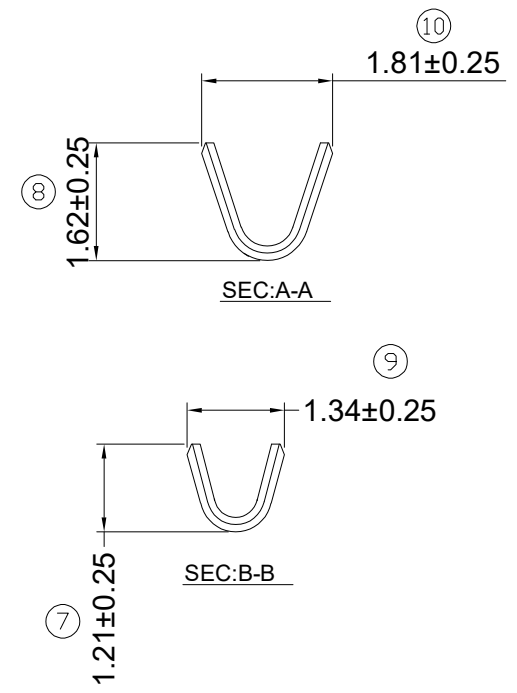
修订 REV	标记 MARK	修改摘要 REVISION DESCRIPTION	签名 SIGNATURE	日期 DATE
AO		NEW DWG		2023-09-25



◆SPECIFICATIONS

- Current rating: 2.0A AC, DC
- Voltage rating: 250V AC,DC
- Temperature range: -25°C ~ +85°C
- Insulation resistance: 500MΩ Min.
- Withstanding voltage: 500V AC/ minute.
- Contact resistance: 20m Ω Max.

Material: Phosphor Bronze
 Finish: Tin plated
 Suitable: HDGC1508HA-2xXP series Dual Row Housing
 Q'TY/Reel: 25,000PCS



		深圳市华德共创科技有限公司 Shenzhen Huade co-create Technology Co.,LTD 电话: 0755-27129737 传真: 0755-29940187			
		TITLE: HDGC1.5-T(母端) 产品名称:			
-TOLERANCES- UNLESS OTHERWISE SPECIFIED 公差参数表				PART NO: HDGC1508-T 产品编号:	
X.X ±0.15	X.X* ±3*	APPD: 核准: 谢亮	DATE	SCALE	UNIT
X.XX ±0.05	X.XX* ±1*	CHECK: 校对: 王建业	2023-09-25	1:1	mm
X.XXX ±0.03	X.XXX* ±0.5*	DRAW: 绘图: 黄艳兰			CODE NUMBER A001

X-ON Electronics

Largest Supplier of Electrical and Electronic Components

Click to view similar products for [Headers & Wire Housings](#) category:

Click to view products by [HDGC](#) manufacturer:

Other Similar products are found below :

[0015917161](#) [0022155065](#) [57102-F02-18ULF](#) [58102-G61-06LF](#) [582553-1](#) [01.001.5753.1](#) [0050291907](#) [02.125.8002.8](#) [609-3404](#) [61062-3](#)
[CSU011177004](#) [622-0430](#) [622-3653LF](#) [63453-116](#) [636-1030](#) [636-1427](#) [636-3427](#) [636-4007](#) [641938-9](#) [65495-038](#) [65692-001LF](#) [65781-018](#)
[65781-047](#) [65817-010LF](#) [65817-015LF](#) [67095-007LF](#) [67601157](#) [68631-112](#) [68645-018](#) [699319-000](#) [70.362.1628.0](#) [70-4210](#) [70-4226B](#) [70-](#)
[4853B](#) [71.350.2428.0](#) [733-134](#) [733-162](#) [760-3052](#) [MHR-64-VUAL](#) [80.063.4001.1](#) [800-90-001-10-001000](#) [801-43-002-10-013000](#)
[801-43-006-10-002000](#) [803-43-024-10-001000](#) [803-93-012-10-001000](#) [8-1437020-4](#) [819-22-004-30-001101](#) [820-22-006-30-001101](#)
[820-22-008-30-001101](#) [821-22-002-10-001101](#)