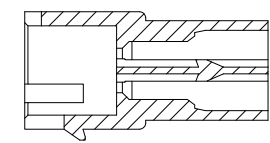
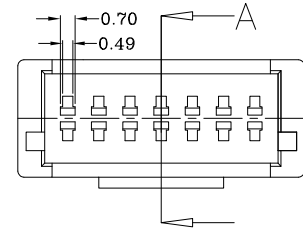
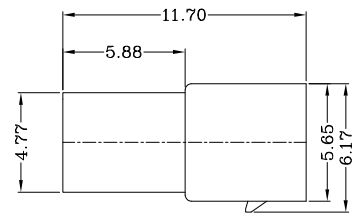
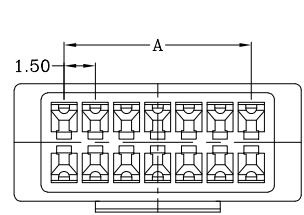
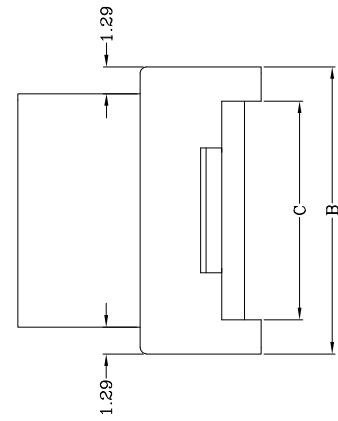


| 修订 REV | 标记 MARK | 修改摘要 REVISION DESCRIPTION | 签名 SIGNATURE | 日期 DATE |
|-----------|------------|------------------------------|-----------------|------------|
| AO | | NEW DWG | | 2023-09-25 |



SECTION A-A



| PIN | 尺寸 mm | | |
|-------|-------|-------|-------|
| | A | B | C |
| 2x2P | 1.50 | 6.30 | 3.00 |
| 2x3P | 3.00 | 7.80 | 4.50 |
| 2x4P | 4.50 | 9.30 | 6.00 |
| 2x5P | 6.00 | 10.80 | 7.50 |
| 2x6P | 7.50 | 12.30 | 9.00 |
| 2x7P | 9.00 | 13.80 | 10.50 |
| 2x8P | 10.50 | 15.30 | 12.00 |
| 2x9P | 12.00 | 16.80 | 13.50 |
| 2x10P | 13.50 | 18.30 | 15.00 |
| 2x11P | 15.00 | 19.80 | 16.50 |
| 2x12P | 16.50 | 21.30 | 18.00 |
| 2x13P | 18.00 | 22.80 | 19.50 |
| 2x14P | 19.50 | 24.30 | 21.00 |
| 2x15P | 21.00 | 25.80 | 22.50 |
| 2x16P | 22.50 | 27.30 | 24.00 |
| 2x17P | 24.00 | 28.80 | 25.50 |
| 2x18P | 25.50 | 30.30 | 27.00 |
| 2x19P | 27.00 | 31.80 | 28.50 |
| 2x20P | 28.50 | 33.30 | 30.00 |

- ◆ SPECIFICATIONS
- Current rating: 2.0A AC, DC
 - Voltage rating: 250V AC,DC
 - Temperature range: -25°C ~ +85 °C
 - Insulation resistance: 500MΩ Min.
 - Withstanding voltage: 500V AC/ minute.
 - Contact resistance: 20m Ω Max.

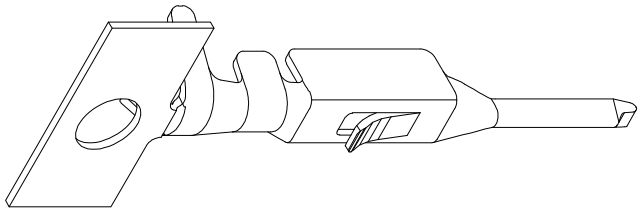
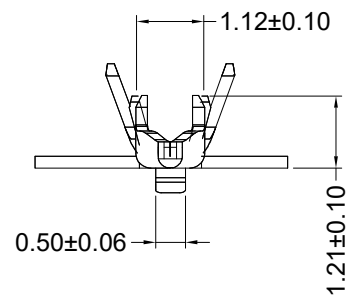
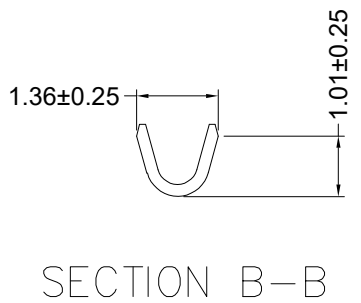
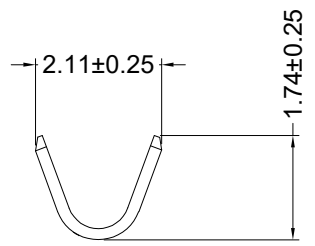
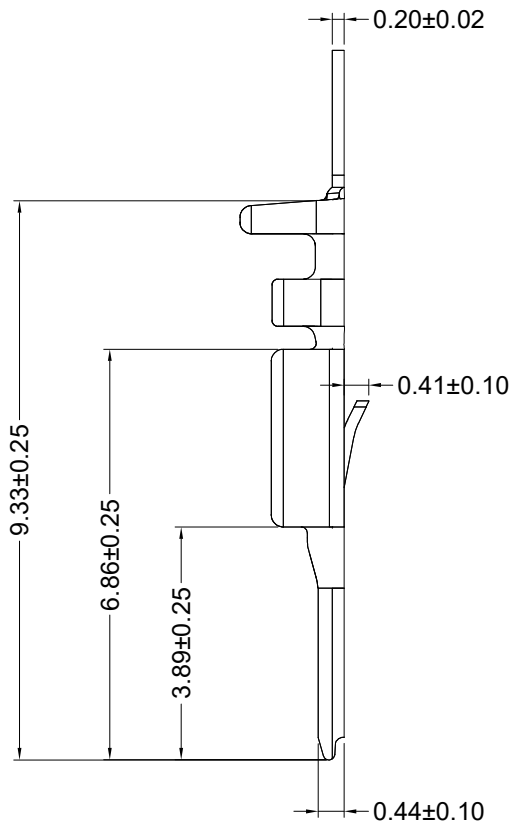
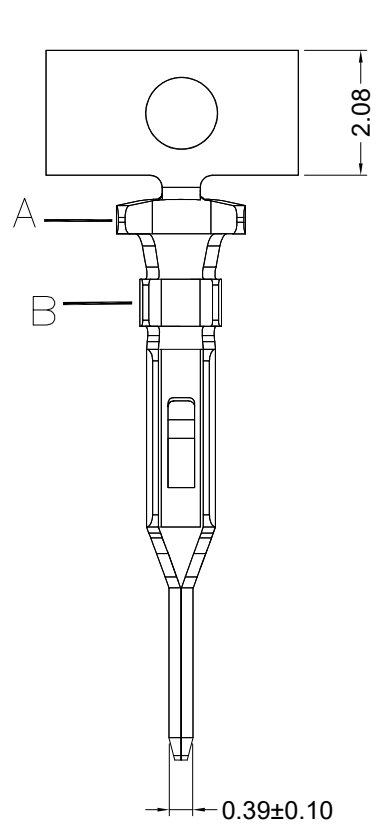
Material:
 Insulator: Nylon 46 UL 94V-0
 Suitable: HDGC1508M-T series Terminal,
 HDGC1508HA-2xXP series Housing.



深圳市华德共创科技有限公司
 Shenzhen Huade co-create Technology Co.,LTD
 电话: 0755-27129737 传真: 0755-29940187

| -TOLERANCES- UNLESS OTHERWISE SPECIFIED 公差参数表 | | | TITLE: 产品名称: HDGC1.5双排母壳 | | | | | |
|---|-------|--------|-----------------------------|-------------------|-----------------|-----------------------------------|------|-------------|
| X:X | ±0.30 | | X.X* | ±3' | APPD: 核准: 谢亮 | PART NO: 产品编号: HDGC1508HM-2xXP | | |
| X.XX | ±0.30 | X.XX* | ±2' | CHECK: 校对: 王建业 | DATE | SCALE | UNIT | CODE NUMBER |
| X.XXX | ±0.10 | X.XXX* | ±1' | DRAW: 绘图: 黄艳兰 | 2023-09-25 | 1:1 | mm | A001 |

| 修订 REV | 标记 MARK | 修改摘要 REVISION DESCRIPTION | 签名 SIGNATURE | 日期 DATE |
|-----------|------------|------------------------------|-----------------|------------|
| A0 | | NEW DWG | | 2023-09-25 |



◆ SPECIFICATIONS

- Current rating: 2.0A AC, DC
- Voltage rating: 250V AC, DC
- Temperature range: -25°C ~ +85°C
- Insulation resistance: 500MΩ Min.
- Withstanding voltage: 500V AC/ minute.
- Contact resistance: 20mΩ Max.

Material: Phosphor Bronze
 Finish: Tin plated
 Suitable: HDGC1508HM-2xXP series Housing
 Q'TY/Reel: 25,000PCS

| | | | | | | | | | | |
|---|-------|---|---|--------------------------------------|--------------------------|-------------------------|-------------------|-----------------|--------------------------|--|
|  | | 深圳市华德共创科技有限公司 Shenzhen Huade co-create Technology Co.,LTD 电话: 0755-27129737 传真: 0755-29940187 | | | | | | | | |
| | | TITLE: 产品名称: HDGC1.5公端 | | PART NO: 产品编号: HDGC1508M-T | | | | | | |
| -TOLERANCES- UNLESS OTHERWISE SPECIFIED 公差参数表 | |  |  | APPD: 核准: 谢亮 | CHECK: 校对: 王建业 | DATE: 2023-09-25 | SCALE: 1:1 | UNIT: mm | CODE NUMBER: A001 | |
| X.X | ±0.15 | X.X* | ±3° | X.XXX | ±0.03 | X.XXX* | ±0.5° | | | |
| X.XX | ±0.05 | X.XX* | ±1° | | | | | | | |

X-ON Electronics

Largest Supplier of Electrical and Electronic Components

Click to view similar products for [Headers & Wire Housings](#) category:

Click to view products by [HDGC](#) manufacturer:

Other Similar products are found below :

[0015917161](#) [0022155065](#) [57102-F02-18ULF](#) [58102-G61-06LF](#) [582553-1](#) [01.001.5753.1](#) [0050291907](#) [02.125.8002.8](#) [609-3404](#) [61062-3](#)
[CSU011177004](#) [622-0430](#) [622-3653LF](#) [63453-116](#) [636-1030](#) [636-1427](#) [636-3427](#) [636-4007](#) [641938-9](#) [65495-038](#) [65692-001LF](#) [65781-018](#)
[65781-047](#) [65817-010LF](#) [65817-015LF](#) [67095-007LF](#) [67601157](#) [68631-112](#) [68645-018](#) [699319-000](#) [70.362.1628.0](#) [70-4210](#) [70-4226B](#) [70-](#)
[4853B](#) [71.350.2428.0](#) [733-134](#) [733-162](#) [760-3052](#) [MHR-64-VUAL](#) [80.063.4001.1](#) [800-90-001-10-001000](#) [801-43-002-10-013000](#)
[801-43-006-10-002000](#) [803-43-024-10-001000](#) [803-93-012-10-001000](#) [8-1437020-4](#) [819-22-004-30-001101](#) [820-22-006-30-001101](#)
[820-22-008-30-001101](#) [821-22-002-10-001101](#)