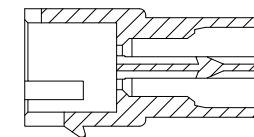
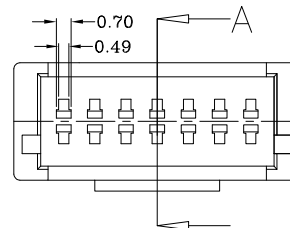
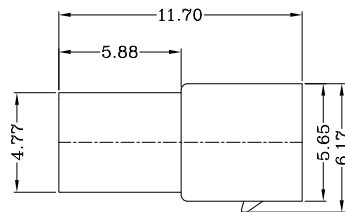
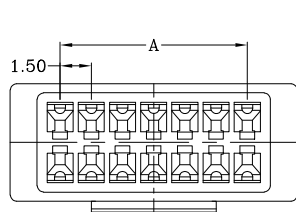
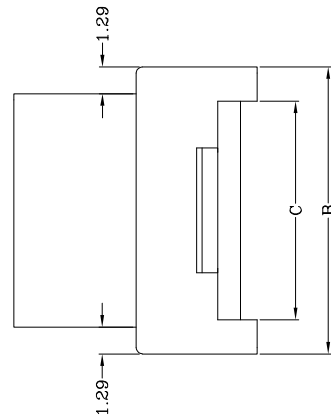


修订 REV	标记 MARK	修改摘要 REVISION DESCRIPTION	签名 SIGNATURE	日期 DATE
AO		NEW DWG		2023-09-25



SECTION A-A



PIN	尺寸 mm		
	A	B	C
2x2P	1.50	6.30	3.00
2x3P	3.00	7.80	4.50
2x4P	4.50	9.30	6.00
2x5P	6.00	10.80	7.50
2x6P	7.50	12.30	9.00
2x7P	9.00	13.80	10.50
2x8P	10.50	15.30	12.00
2x9P	12.00	16.80	13.50
2x10P	13.50	18.30	15.00
2x11P	15.00	19.80	16.50
2x12P	16.50	21.30	18.00
2x13P	18.00	22.80	19.50
2x14P	19.50	24.30	21.00
2x15P	21.00	25.80	22.50
2x16P	22.50	27.30	24.00
2x17P	24.00	28.80	25.50
2x18P	25.50	30.30	27.00
2x19P	27.00	31.80	28.50
2x20P	28.50	33.30	30.00

◆ SPECIFICATIONS

- Current rating: 2.0A AC, DC
- Voltage rating: 250V AC,DC
- Temperature range: -25°C ~ +85 °C
- Insulation resistance: 500MΩ Min.
- Withstanding voltage: 500V AC/ minute.
- Contact resistance: 20m Ω Max.

Material:

Insulator: Nylon 46 UL 94V-0
 Suitable: HDGC1508M-T series Terminal,
 HDGC1508HA-2xXP series Housing.



深圳市华德共创科技有限公司

Shenzhen Huade co-create Technology Co.,LTD

电话: 0755-27129737 传真: 0755-29940187

-TOLERANCES-
UNLESS OTHERWISE SPECIFIED
公差参数表



TITLE:
产品名称: HDGC1.5双排母壳

X:X ±0.30 X.X* ±3'

APPD:
核准: 谢亮

PART NO:
产品编号: HDGC1508HM-2xXP

X.XX ±0.30 X.XX* ±2'

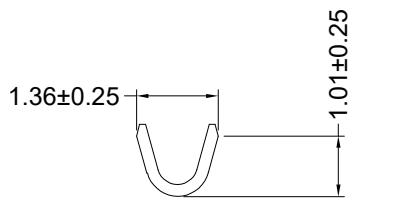
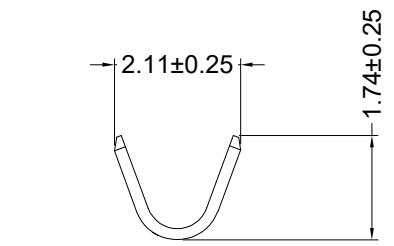
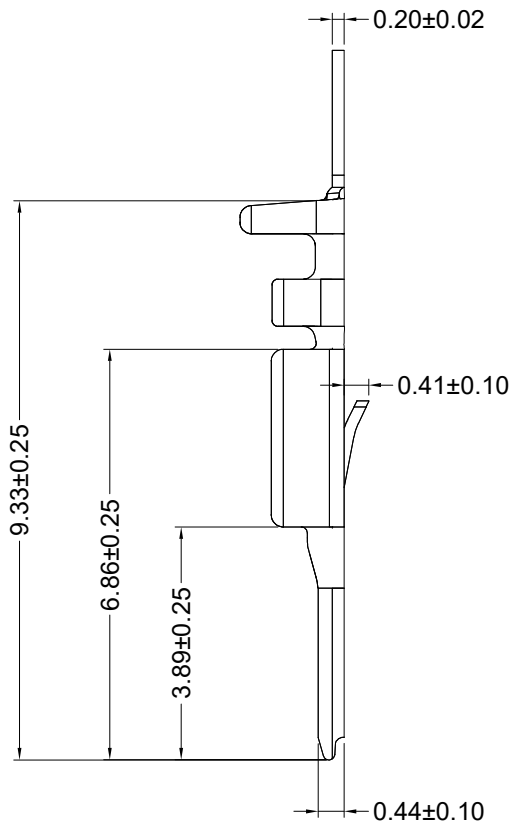
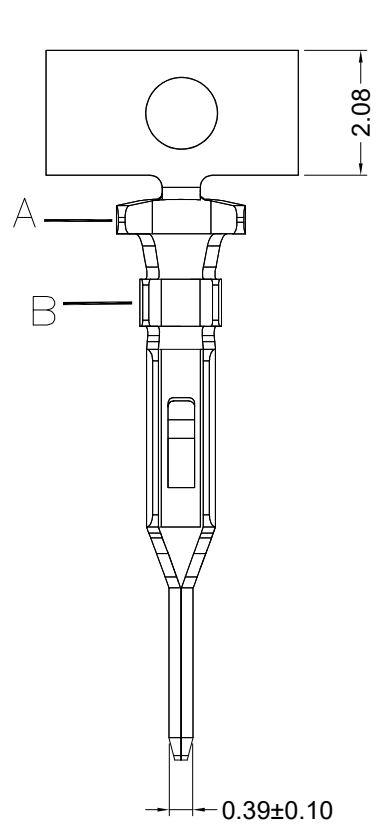
CHECK:
校对: 王建业

DATE	SCALE	UNIT	CODE NUMBER
2023-09-25	1:1	mm	A001

X.XXX ±0.10 X.XXX* ±1'

DRAW:
绘图: 黄艳兰

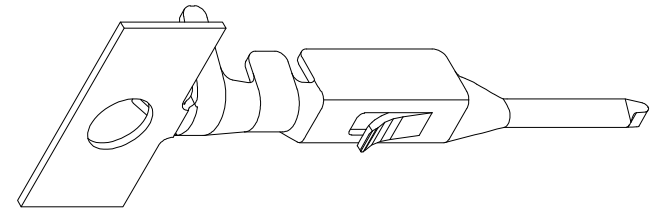
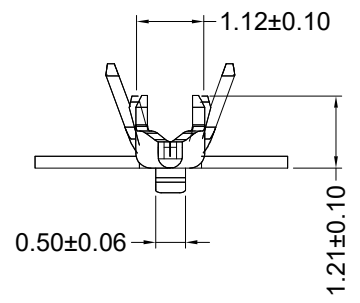
修订 REV	标记 MARK	修改摘要 REVISION DESCRIPTION	签名 SIGNATURE	日期 DATE
A0		NEW DWG		2023-09-25



◆ SPECIFICATIONS

- Current rating: 2.0A AC, DC
- Voltage rating: 250V AC, DC
- Temperature range: -25°C ~ +85°C
- Insulation resistance: 500MΩ Min.
- Withstanding voltage: 500V AC/ minute.
- Contact resistance: 20mΩ Max.

Material: Phosphor Bronze
 Finish: Tin plated
 Suitable: HDGC1508HM-2xXP series Housing
 Q'TY/Reel: 25,000PCS



		深圳市华德共创科技有限公司 Shenzhen Huade co-create Technology Co.,LTD 电话: 0755-27129737 传真: 0755-29940187					
		TITLE: 产品名称: HDGC1.5公端		PART NO: 产品编号: HDGC1508M-T			
-TOLERANCES- UNLESS OTHERWISE SPECIFIED 公差参数表		 		DATE	SCALE	UNIT	CODE NUMBER
X.X	±0.15	X.X*	±3'	APPD: 核准: 谢亮			
X.XX	±0.05	X.XX*	±1'	CHECK: 校对: 王建国			
X.XXX	±0.03	X.XXX*	±0.5'	DRAW: 绘图: 黄艳兰	2023-09-25	1:1	mm A001

X-ON Electronics

Largest Supplier of Electrical and Electronic Components

Click to view similar products for [Headers & Wire Housings](#) category:

Click to view products by [HDGC](#) manufacturer:

Other Similar products are found below :

[0015917161](#) [0022155065](#) [57102-F02-18ULF](#) [58102-G61-06LF](#) [582553-1](#) [01.001.5753.1](#) [0050291907](#) [02.125.8002.8](#) [609-3404](#) [61062-3](#)
[CSU011177004](#) [622-0430](#) [622-3653LF](#) [63453-116](#) [636-1030](#) [636-1427](#) [636-3427](#) [636-4007](#) [641938-9](#) [65495-038](#) [65692-001LF](#) [65781-018](#)
[65781-047](#) [65817-010LF](#) [65817-015LF](#) [67095-007LF](#) [67601157](#) [68631-112](#) [68645-018](#) [699319-000](#) [70.362.1628.0](#) [70-4210](#) [70-4226B](#) [70-](#)
[4853B](#) [71.350.2428.0](#) [733-134](#) [733-162](#) [760-3052](#) [MHR-64-VUAL](#) [80.063.4001.1](#) [800-90-001-10-001000](#) [801-43-002-10-013000](#)
[801-43-006-10-002000](#) [803-43-024-10-001000](#) [803-93-012-10-001000](#) [8-1437020-4](#) [819-22-004-30-001101](#) [820-22-006-30-001101](#)
[820-22-008-30-001101](#) [821-22-002-10-001101](#)