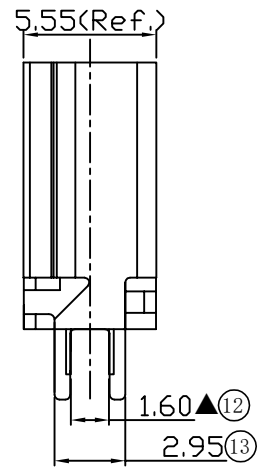
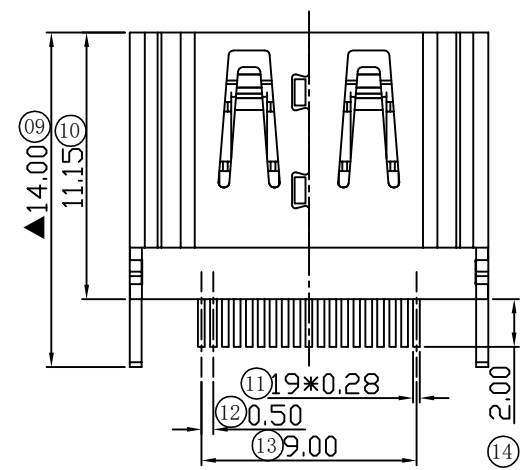
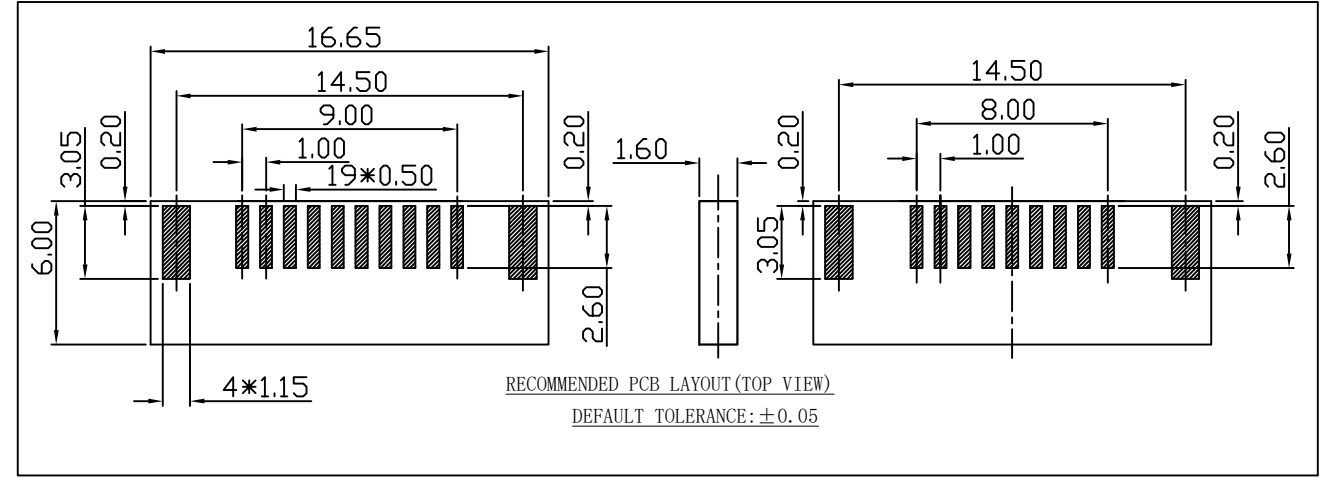
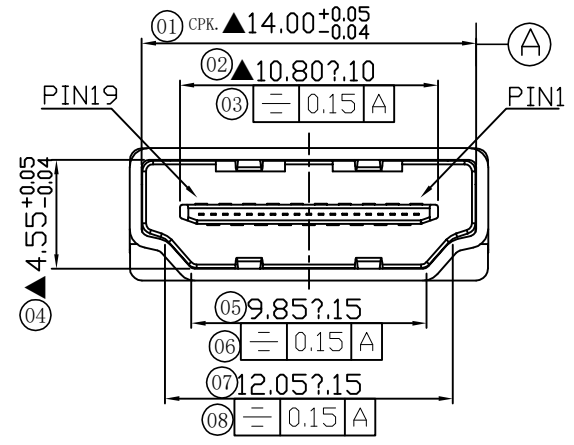


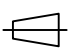


| 修订  | 标记   | 修改摘要                 | 签名        | 日期         |
|-----|------|----------------------|-----------|------------|
| REV | MARK | REVISION DESCRIPTION | SIGNATURE | DATE       |
| AO  |      | NEW DWG              |           | 2016-03-12 |



SPECIFICATION

- Electrical characteristics
  - Contact Current Rating: 0.5 A
  - Dielectric Withstanding Voltage: 300V AC
  - Insulation Resistance: a. Mate 100MΩ MIN at 500V/DC
  - b. Unmate 10MΩ MIN at 150V/DC
  - Contact Resistance: 30mΩ MAX
  - Temperature Range: -20° C to +85° C
- Mechanical
  - Mating Face: 44.1N MAX
  - Unmate Face: 9.8N MIN; 39.2N MAX
  - Durability: 5000 Cycles
- Material:
  - HOUSING: THERMOPLASTICS HIGH TEMP LCP+GLASS
  - FIBER BLACK COLOR, UL94V-0
  - CONTACT: Copper Alloy, T=0.20MM
  - SHELL: Copper Alloy (SPCC), T=0.50MM
- PLATING:
  - CONTACT: 1~30u" GOLD/TIN PLATING ON CONTACT AREA
  - 100u" MIN, TIN PLATING ON SOLDER TAILS
  - 50u" MIN, NICKEL UNDERPLATING OVER ALL
  - SHELL: 80u", NICKEL UNDERPLATING OVER ALL

|   |            |   |                                  |   |                     |
|---|------------|---|----------------------------------|---|---------------------|
|  |            | 深圳市华德共创科技有限公司<br>Shenzhen Huade co-create Technology Co., LTD<br>电话: 0755-23304126 传真: 0755-29940187  |                                  |   |                     |
| -TOLERANCES-<br>UNLESS OTHERWISE SPECIFIED<br>公差参数表                                   |            |   |                                  | TITLE: HDMI AF夹板1.6铁壳0.5镀镍<br>产品名称: 黑胶针长2.0 |                     |
| X.X ±0.30   | X.X* ±3°   | APPD:<br>核准:  | PART NO:<br>产品编号: HDMI-GD-126PWB |   |                     |
| X.XX ±0.20  | X.XX* ±2°  | CHECK:<br>校对: 王建业   | DATE                             | SCALE                                       | UNIT                |
| X.XXX ±0.10   | X.XXX* ±1° | DRAW:<br>绘图: 黄艳兰  | 2016-03-12                       | 1:1   | mm                  |
|   |            |   |                                  |   | CODE NUMBER<br>A001 |

## X-ON Electronics

Largest Supplier of Electrical and Electronic Components

*Click to view similar products for [D-Sub Standard Connectors](#) category:*

*Click to view products by [HDGC](#) manufacturer:*

Other Similar products are found below :

[015-0339-000](#) [015-0341-000](#) [015-0349-000](#) [015-0350-000](#) [015-8544-011](#) [015-8755-001](#) [017041-0005](#) [020419-0104](#) [609-25P](#) [609-9P](#)  
[M24308/2-23Z](#) [CT0-24-10SC](#) [CT0-36-3PC](#) [CT0E20-8PS](#) [CT0F16S-1PS](#) [CT0TA16-11SXCA232](#) [CT1E20-19SS](#) [CT2-10SL-3SC](#) [CT2-14S-2PCA34](#) [CT2-18-11PCAU](#) [CT2-22-19SC](#) [CT2-36-5PC](#) [CT6-10SL-3SC](#) [CT6-10SL-4SC](#) [CT6-14S-2SC](#) [CT6-16-12SC](#) [CT6-18-10PSA206](#)  
[CT6-18-10PSA232](#) [CT6-18-11PXSA206](#) [CT6-18-11PXSA232](#) [CT6-22-10PS](#) [CT6-24-5PC](#) [CT6-9767-18-8-18-4SS](#) [CT6E14S-5SC](#)  
[CT6E14SA7SC](#) [CT6E20-14SS](#) [CT6E22-14PC](#) [CT6E22-14PS](#) [CT6E22-19PS](#) [CT6E22-22PS](#) [CT6E24-10SC](#) [CT6F16S-1SC](#) [CT6FA10SL-4PS](#)  
[CT6LA20-19PC](#) [CT6M20-19SS](#) [CT6NSB4-20-8SS](#) [CT6TC14S-6SCAU](#) [CT6TC14S-7PS](#) [6STD15SCT99S40X](#) [6STF09PCM05B70X](#)