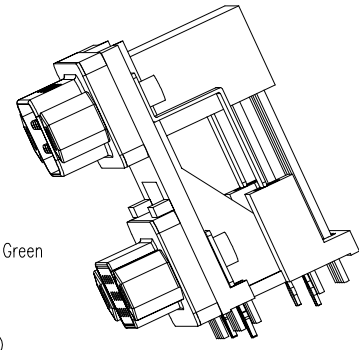
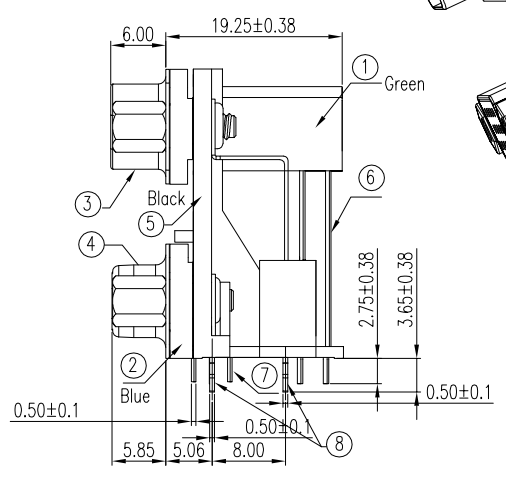
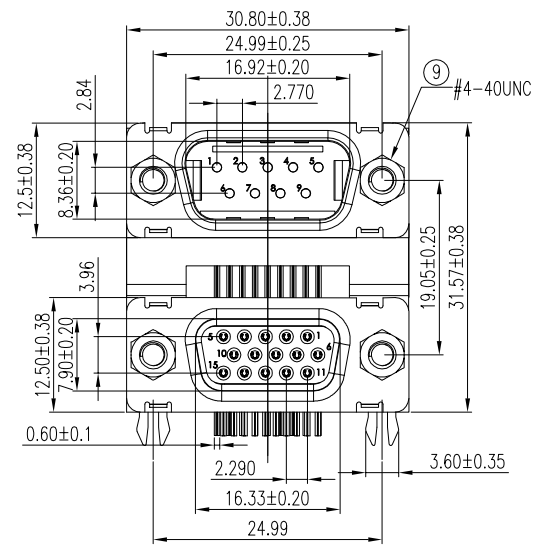
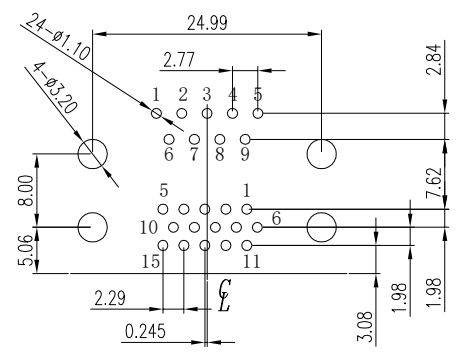
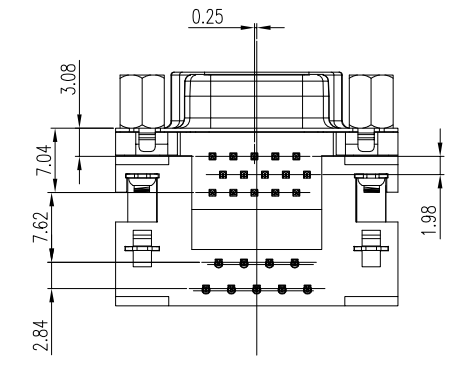


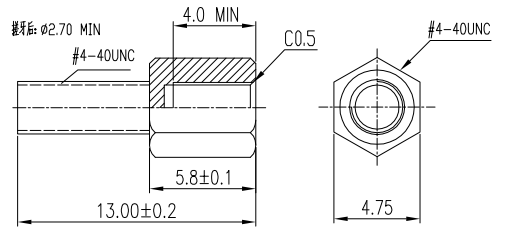
修订	标记	修改摘要	签名	日期
REV	MARK	REVISION DESCRIPTION	SIGNATURE	DATE
AD		NEW DRG		2016-03-12



NOTE:
 1.Material
 See Bom;
 2.Electrical Specification
 Current Rating : 5 Ampere per contact.
 Contact Resistance :30 Miliohms max.
 Insulation Resistance : 500 Megohms Min of 500 DC.
 Dielectric Withstanding Voltage :500 VAC for 1Minute.R.M.S.
 3.Environmental
 3-1.CONNECTOR MATING FORCE: 4.00 Kg f MAX;
 3-2.CONNECTOR UNMATING FORCE :0.45 Kg f MIN
 Operating Temperature:-55° to +105°.
 4.Marked "▽" Should BE Controlled By Qip
 5.Marked "XX" Should BE Controlled By FAI
 7.PRODUCT MUST ACCORD THE"RoHS" SPEC




Recommended P.C.B Layout (top View)
 Tolerance ±0.05mm Apply for 1.6mm PCB



See BOM

ITEM	DESC	Q'TY	Material	TREATMENT	REMARK
9	FEMALE SCREW LOOK	4 PCS	STEEL	#4-40 UNC,NICKEL PLATED	
8	Board lock	4 PCS	SPCC	Sn Alloy (Lead Free)100u"Min.	
7	D-SUB 15F Terminal	15 PIN	Brass	Gold Plating At Contact AREA Gold faish, Sn Alloy (Lead Free)100u"Min.At Tail OverNickel 50u" Min overall	
6	D-SUB 9M Terminal	9 PIN	Brass	Gold Plating At Contact AREA Gold faish, Sn Alloy (Lead Free)100u"Min.At Tail OverNickel 50u" Min overall	
5	D-SUB 9M/15F Bracket	1 PCS	PA66	Black	
4	D-SUB 15F Shell	1 PCS	STEEL	Plating Nickel 60u" Min. Overall	
3	D-SUB 9M Shell	1 PCS	STEEL	Plating Nickel 60u" Min. Overall	
2	D-SUB 15F Housing	1 Set	PBT GF30% UL 94V-0	Blue 661C	
1	D-SUB 9M Housing	1 Set	PBT GF30% UL 94V-0	Green 322C	



深圳市华德共创科技有限公司
 Shenzhen Huade co-create Technology Co., LTD
 电话: 0755-23304126 传真: 0755-29940187

-TOLERANCES- UNLESS OTHERWISE SPECIFIED 公差参数表		TITLE: 产品名称: 高架HDR15母D-SUB9公二合一	
X.X ±0.30	X.X* ±3°	APPD: 核准:	PART NO: 产品编号: HDR-HX-103DIP
X.XX ±0.20	X.XX* ±2°	CHECK: 校对: 王建业	DATE SCALE UNIT CODE NUMBER
X.XXX ±0.10	X.XXX* ±1°	DRAW: 绘图: 黄艳兰	2016-03-12 1:1 mm A001

X-ON Electronics

Largest Supplier of Electrical and Electronic Components

Click to view similar products for [HDMI, Displayport & DVI Connectors](#) category:

Click to view products by [HDGC](#) manufacturer:

Other Similar products are found below :

[30-528](#) [30-504](#) [33DVIR-24S1B](#) [47648-2000](#) [TC142X](#) [1932649-1](#) [HAGBH](#) [AABII](#) [ABIBG](#) [AAIBH](#) [52355](#) [XHLJQ-00026](#) [HDMI-019R](#)
[G46M2013201AWEU](#) [ST-0277D00-052-142](#) [HC-PJ-320A-3P-D](#) [HC-PJ-3133-5P-D](#) [PJ-342](#) [141](#) [PJ-320A-4P](#) [DIP](#) [HC-PJ-325C-5P](#) [HC-PJ-](#)
[320D-4P-S](#) [HC-PJ-3133-6P-S](#) [D-SUB-DR-9PCM-CB](#) [ST-0275S00-082-182](#) [HC-PJ-320A-4P-D](#) [HC-PJ-325A-5P](#) [HC-PJ-3134-6P-D](#) [HDR-](#)
[HX-102DIP](#) [HDMI-GD-121PWB](#) [C2939191](#) [C2939584](#) [PJ-208](#) [PJ-2040](#) [PJ-3580A-6A](#) [PJ-399M](#) [PJ-3200A-3A](#) [PJ-328B-4B](#) [PJ-3930-7A](#)
[PJ-615-5A](#) [PJ-332-6A](#) [KH-HDMI-0001](#) [KH-PJ-209-SMT](#) [KH-HDMI-0035-XK](#) [KH-PJ-328A-5P](#) [KH-PJ-322](#) [KH-PJ-327E-SMT](#) [KH-PJ-](#)
[320A-5.6](#) [KH-HDR15P-F3.08](#) [KH-HDMI-0005A-SMT](#) [KH-HDMI-0021-JBS](#)