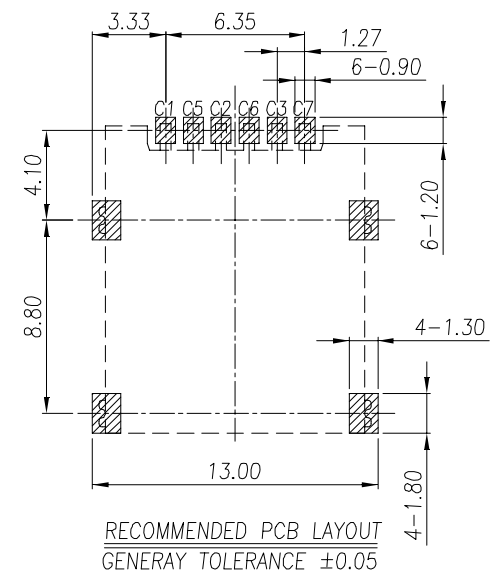
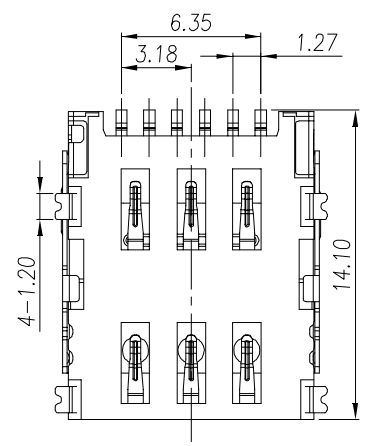
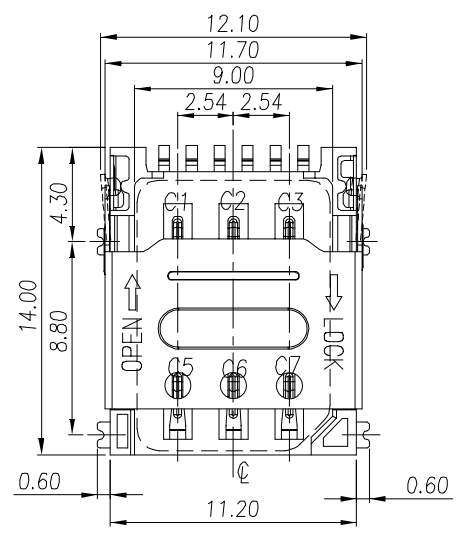
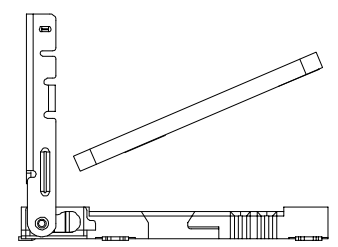
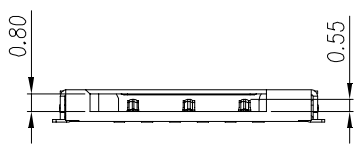
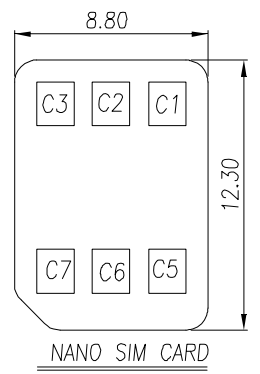


修 订 REV NO	标 记 MARK	修 改 描 要 REVISION DESCRIPTION	签 名 SIGNATURE	日 期 DATE
		NEW DWG		2016-03-12

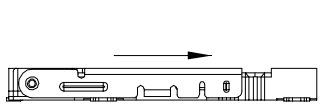


- NOTES:
- ELECTRICAL CHARACTERISTICS
 - CONTACT RESISTANCE: 60 Milliohms Max
 - INSULATION RESISTANCE: 1,000 Megohms Min.
 - DIELECTRIC WITHSTANDING VOLTAGE: 500V AC FOR 1 MINUTE.
 - MECHANICAL CHARACTERISTICS
 - OPERATION TEMPERATURE RANGE: -25°C~+70°C
 - DURABILITY: 5000 CYCLES
 - MATERIAL:
 - HOUSING: THERMOPLASTIC,UL 94-V0
 - TERMINAL: COPPER ALLOY,T=0.15
 - SHELL: STAINLESS STEEL,T=0.15
 - FINISHED:
 - TERMINAL: Ni PLATED UNDER,Au PLATED ON CONTACT AREA,G/F PLATED ON SOLDERTAIL
 - SHELL: Ni PLATED UNDER,G/F PLATED ON SOLDERTAIL

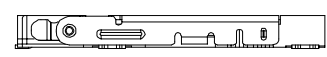
SIM CARD	
Pin No.	NAME
C1	VCC
C2	RST
C3	CLK
C5	GND
C6	VPP
C7	I/O



STEP 1 INSERT Micro-SIM CARD



STEP 2 PUSH THE SHLL



STEP 3 FINISH

		深圳市华德共创科技有限公司 Shenzhen Huade co-create Technology Co.,LTD 电话: 0755-23304126 传真: 0755-29940187						
		TITLE: 产品名称: NANO 掀盖式卡座 1.5H						
-TOLERANCES- UNLESS OTHERWISE SPECIFIED 公差参数表				PART NO: 产品编号: K-DYX-009				
X.X	±0.30	X.X*	±3°	APPD: 核准:	DATE	SCALE	UNIT	CODE NUMBER
X.XX	±0.20	X.XX*	±2°	CHECK: 王建业	2016-03-12	1:1	mm	A001
X.XXX	±0.10	X.XXX*	±1°	DRAW: 黄艳兰				

X-ON Electronics

Largest Supplier of Electrical and Electronic Components

Click to view similar products for [Memory Card Connectors](#) category:

Click to view products by [HDGC](#) manufacturer:

Other Similar products are found below :

[M21-033321-005](#) [6407-249V-25273P](#) [6407-249V-25343P](#) [69.920.0553.0](#) [809180410000000](#) [DM3AT-SF-PEJM5\(41\)](#) [HMCAP001](#) [252-0144-000](#) [2041353-2](#) [308-DS1P0811-192](#) [33CFAE-DN](#) [HM2P09PDR360N9LF](#) [502431-1011](#) [10-629549-258N](#) [11327-001](#) [11327-002](#) [617230001](#) [95622-003LF](#) [N7E50-U516RB-50-SIN0005](#) [95079-00CALF](#) [84648-056HLF](#) [93-570123-08P](#) [125A-78C00](#) [MI20A-50PD-SF-EJL\(71\)](#) [KP10S-SF-PEJ\(812\)](#) [504536-0691](#) [CCM03-3109 B LFT](#) [MI21-50PD-SF\(91\)](#) [2309923-1](#) [61126-050CAHLF](#) [IC1GA-68PD-1.27DS-EJ\(72\)](#) [GTFF08432B1HR](#) [G85DT17001P1EU](#) [G85C11101152HHR](#) [G85D1160022HHR](#) [KP15TL-SF\(800\)](#) [KP10BH-8S-SF\(800\)](#) [SCE2MSDB76A121SN](#) [SCE2MSDZN76A121SN](#) [C00710B0250001](#) [CCM01-2664 LFT T25](#) [119A-40A00-R02](#) [47309-2651](#) [47481-0001](#) [055036006202862+](#) [67799-0004](#) [91228-3006](#) [104168-1616](#) [104C-TAA1](#) [112I-TA01](#)