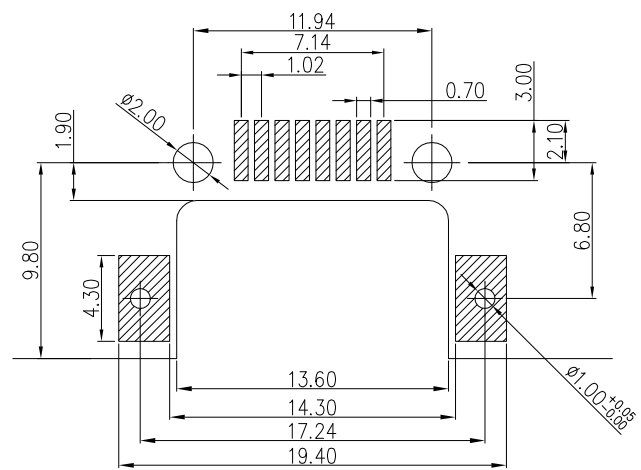
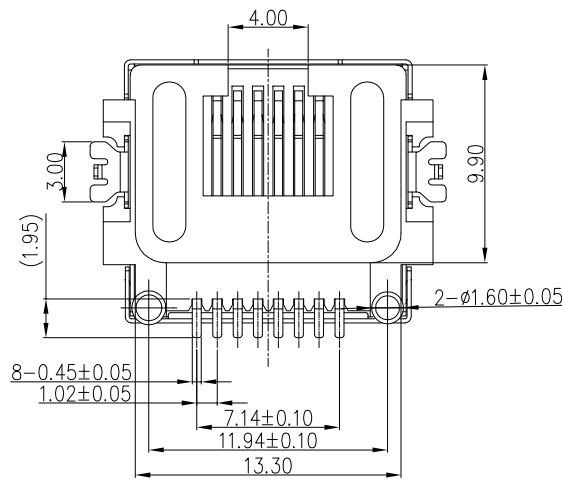
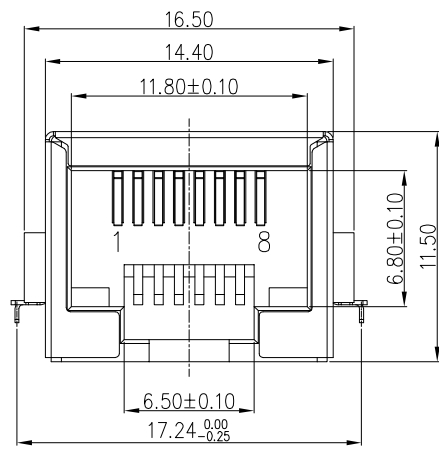
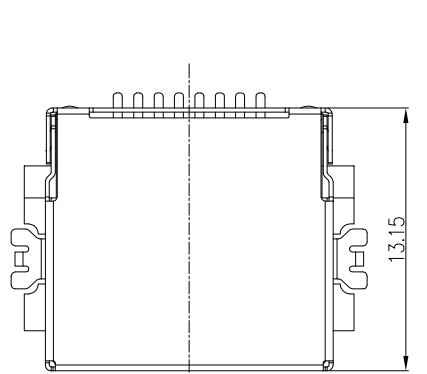
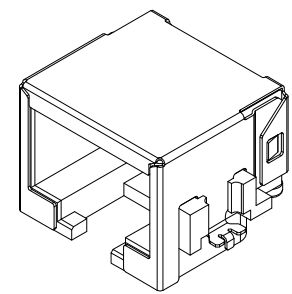
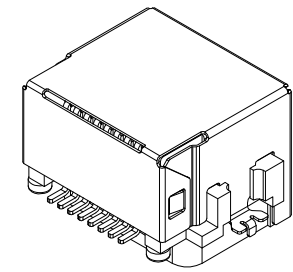


E		F	
修 订	标 记	修 改 描 要	签 名
REV	MARK	REVISION DESCRIPTION	SIGNATURE
AD		NEW DRG	
			日期
			2016-03-12

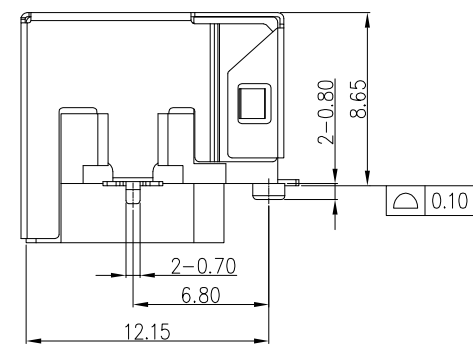
NOTE:

- 1.MATERIAL SPECIFICATION:
 - 1.1 HOUSING:HIGH TEMPERATURE RESISTANT PLASTIC,UL94 V-0.
 - 1.2 CONTACTS:COPPER ALLOY
 - 1.3 SHELL: COPPER ALLOY
- 2.PLATING SPECIFICATION:
 - 2.1 CONTACTS:
 - Ni 50u" MIN. UNDER PLATED OVER ALL.
 - GOLD FLASH PLATING ON CONTACT AREA
 - TIN PLATING ON SOLDER AREA
 - 2.2 SHELL:
 - Ni 30u" MIN. UNDER PLATED OVER ALL.
- 3.MECHANICAL PERFORMANCE,
 - 3.1 INSERTION FORCE: 25N Max.
 - 3.2 DURABILITY: 750 CYCLES.
- 4.ELECTRICAL PERFORMANCE,
 - 4.1 CURRENT RATING:1.5A
 - VOLTAGE RATING:150 V AC RMS.
 - 4.2 INSULATION RESISTANCE: 1000MΩ MIN
 - 4.3 DIELECTRIC WITHSTAND VOLTAGE,AC 1000V FOR 1 MINUTE.
5. ENVIRONMENTAL PERFORMANCE:
 - OPERATING TEMPERATURE: -40°C~+80°C.
- 6.IR REFLOW:
 - THE PEAK TEMPERATURE ON THE BOARD SHALL BE MAINTAINED FOR 10 SECONDS AT 260°C.

PIN	Name	Description
1	TX+	Trancelive Data+(发信号+)
2	TX-	Trancelive Data-(发信号-)
3	RX+	Receive Data+(收信号+)
4	N/C	Not connected(空脚)
5	N/C	Not connected(空脚)
6	RX-	Receive Data-(收信号-)
7	N/C	Not connected(空脚)
8	N/C	Not connected(空脚)



RECOMMENDED P.C.B. LAYOUT
GENERAL TOLERANCE: ±0.05





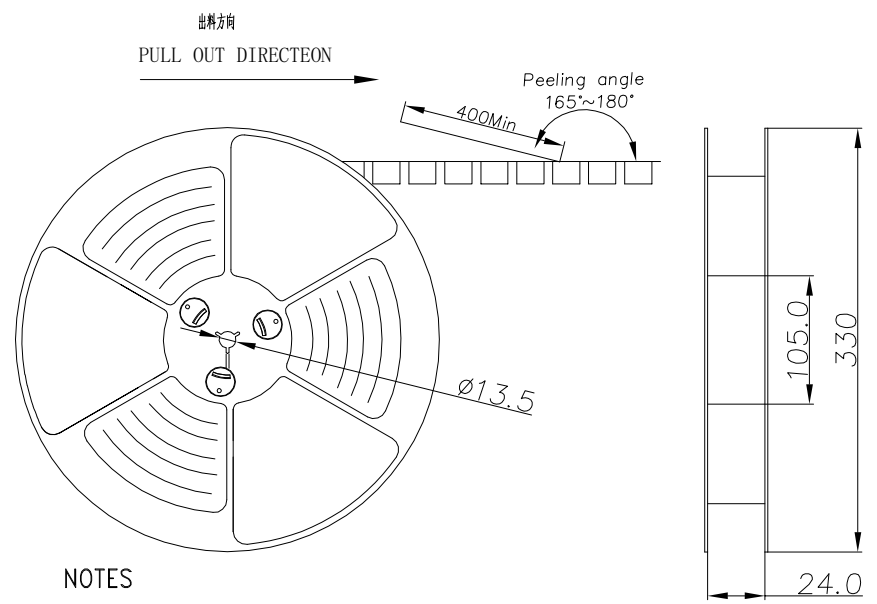
深圳市华德共创科技有限公司
Shenzhen Huade co-create Technology Co., LTD
电话: 0755-23304126 传真: 0755-29940187

TITLE:
产品名称: RJ45沉板8.6全包 SMT

PART NO:
产品编号: RJ45-DB-101PWB

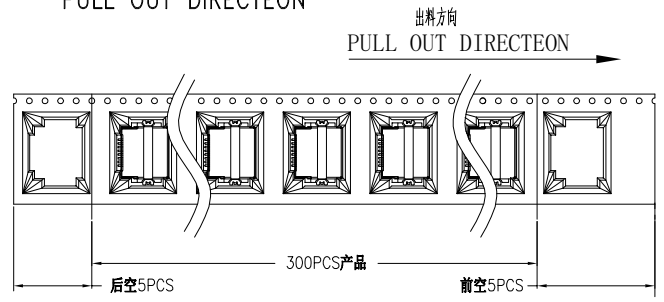
-TOLERANCES- UNLESS OTHERWISE SPECIFIED 公差参数表		 		DATE	SCALE	UNIT	CODE NUMBER
X.X	±0.30	X.X*	±3°	APPD: 核准:			
X.XX	±0.20	X.XX*	±2°	CHECK: 校对: 王建业			
X.XXX	±0.10	X.XXX*	±1°	DRAW: 绘图: 黄艳兰	2018-03-12	1:1	mm

修订 REV NO	标记 MARK	修改摘要 REVISION DESCRIPTION	签名 SIGNATURE	日期 DATE
		NEW DRG		2016-03-12

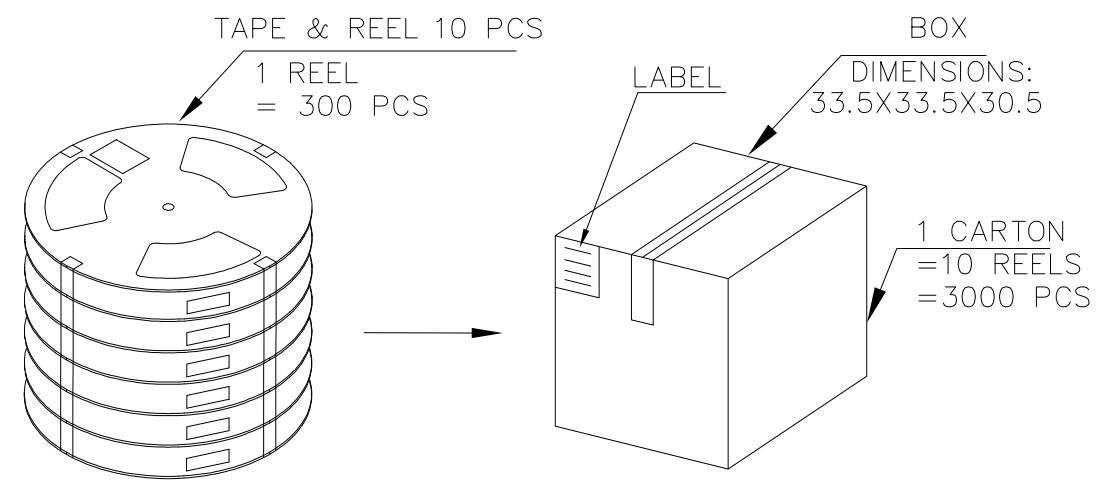
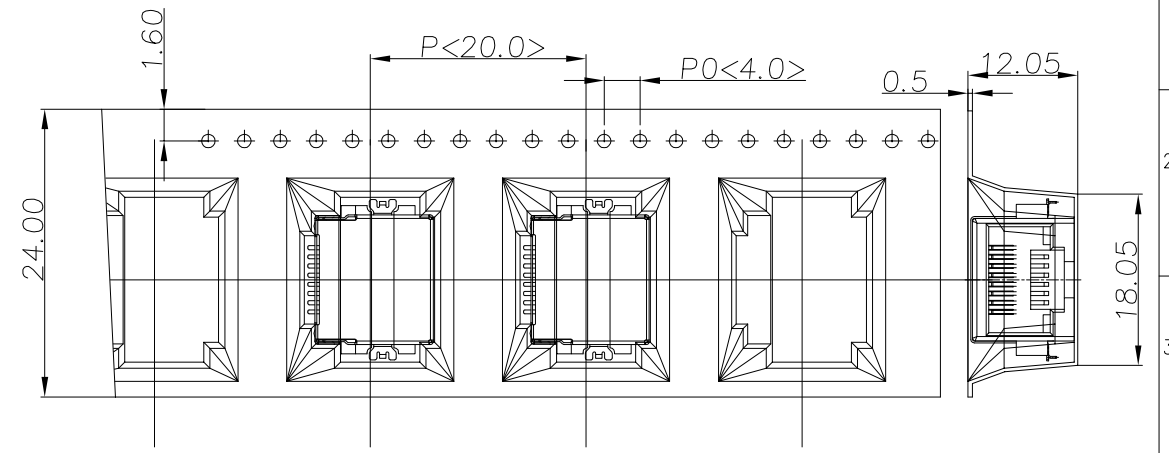


NOTES

1. 帶子引導長度
LEAD TAPE LENGTH
出料方向
PULL OUT DIRECTEON



2. 上帶 剝力力為: 0.1~1.3N(10.2gf~130gf)
PEELING OFF FORCE OF TOP TAPE: 0.1~1.3N(10.2gf~130gf)
出貨運輸過程中一定注意:
THIS REQUIREMENT SHOULD BE APPLIED AT SHIPMENT:
卷帶在運輸過程中不能散開
PEELING OFF SHOULD NOT BE ALLOWED DURING TRANSPORTATION



		深圳市华德共创科技有限公司 Shenzhen Huade co-create Technology Co., LTD 电话: 0755-23304126 传真: 0755-29940187						
		-TOLERANCES- UNLESS OTHERWISE SPECIFIED 公差参数表				TITLE: 产品名称: RJ45沉板8.6全包 SMT		
X.X	±0.30	X.X*	±3°	APPD: 核准:	PART NO: 产品编号: RJ45-DB-101PWB			
X.XX	±0.20	X.XX*	±2°	CHECK: 校对: 王建业	DATE	SCALE	UNIT	CODE NUMBER
X.XXX	±0.10	X.XXX*	±1°	DRAW: 绘图: 黄艳兰	2018-03-12	1:1	mm	A001

X-ON Electronics

Largest Supplier of Electrical and Electronic Components

Click to view similar products for [Modular Connectors / Ethernet Connectors](#) category:

Click to view products by [HDGC](#) manufacturer:

Other Similar products are found below :

[8949-H88/06BLKA/SN](#) [74441-0010/BKN](#) [PHP-6P6C-5](#) [GAX-3-66](#) [GDCX-PN-66](#) [GLX-A-44](#) [GLX-N-1010M-BLK](#) [GLX-S-88M-BLK](#)
[GMX-SMT4-N-88](#) [GSGX-N-2-88](#) [GSGX-N-4-88](#) [GSX-NS2-88-3.05](#) [GSX-NS-88-3.68](#) [PT-108A-8C-UL](#) [PTS-J531-8CS-50UL](#) [A-2014-0-4](#)
[GWLX-S9-88-YG](#) [DC-1021-8-WH-6](#) [1300530003](#) [1324640-4](#) [132764-001](#) [1413235](#) [MPS88RX-5000](#) [E5288-S000K3-L](#) [155302-001](#)
[AX101050](#) [AX101063](#) [AX101065](#) [AX101072](#) [AX101307](#) [AX101315](#) [AX101318](#) [AX102271](#) [AX102277](#) [AX102651](#) [AX102660](#) [AX104024](#)
[203475](#) [PC4D0018P](#) [KIT38082NI](#) [8949-B88/6](#) [2-6609208-5](#) [30-8956](#) [30-8964-100](#) [SM85](#) [SM99S01VBNN04G7](#) [17-103540](#) [191587](#) [PDI-68-RV](#) [PHP-8P8C-S-5](#)