



# Chip Type Cermet Trimmer Potentiometer

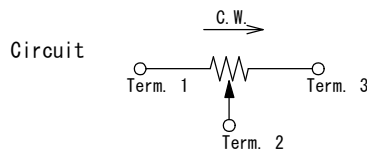
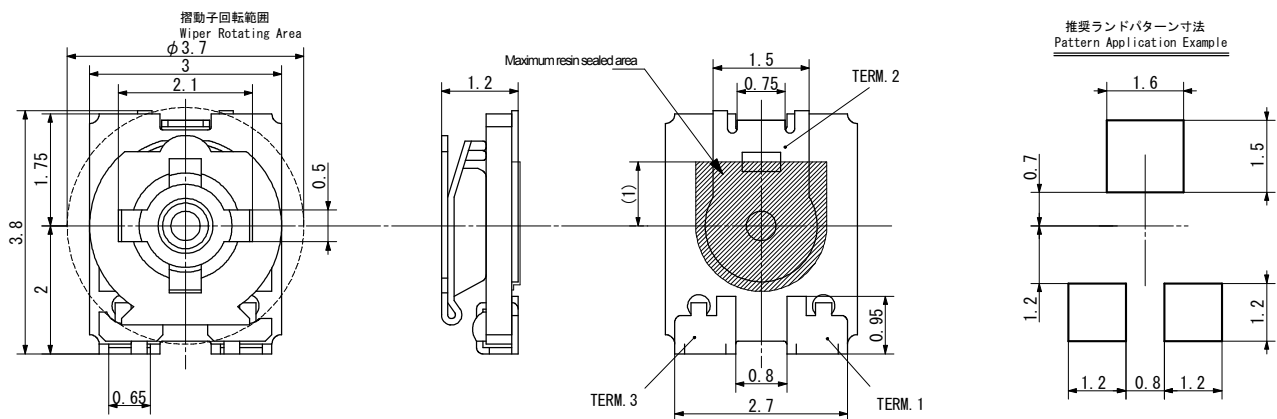
3mm size, Low profile type

## ■ Features

- Low profile type ( 1.2mm in height )
- Achieved good endurance characteristics by using "Metal-glaze" for the material of resistor
- Conforms to RoHS Directives
- Reflow solderable



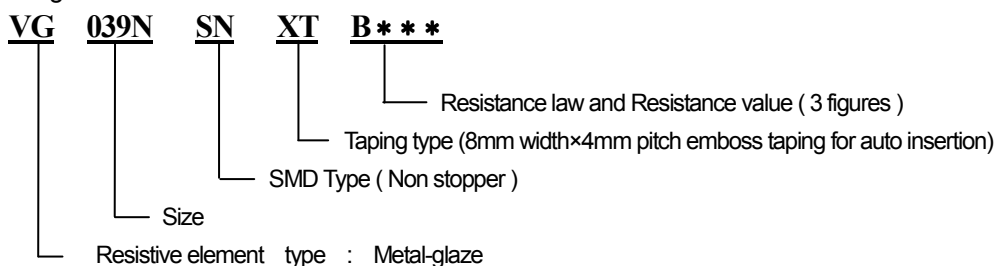
## ■ Outline Dimensions (Unit : mm)



## ■ Specification

Item	Specification	Unit	Note
Nominal Total Resistance	100~1M	$\Omega$	
Resistance Tolerance	$\pm 25$	%	
Rotational Torque	0.98~11.76	mN.m	
Effectively Rotary Angle	$270 \pm 20$	$^{\circ}$	Non stopper
Rated Wattage	0.15	W	
Max. Rated Voltage	50 or $V = \sqrt{PR}$ whichever is smaller	V	
T.C.R (Temperature Coefficient)	$\pm 250$	ppm/ $^{\circ}C$	
Operating Temp. Range	-40 ~ +100	$^{\circ}C$	

## ■ Part Designation



\* Packaging Quantity : 2500 pcs / Reel

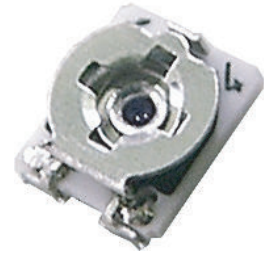


# Chip Type Cermet Trimmer Potentiometer

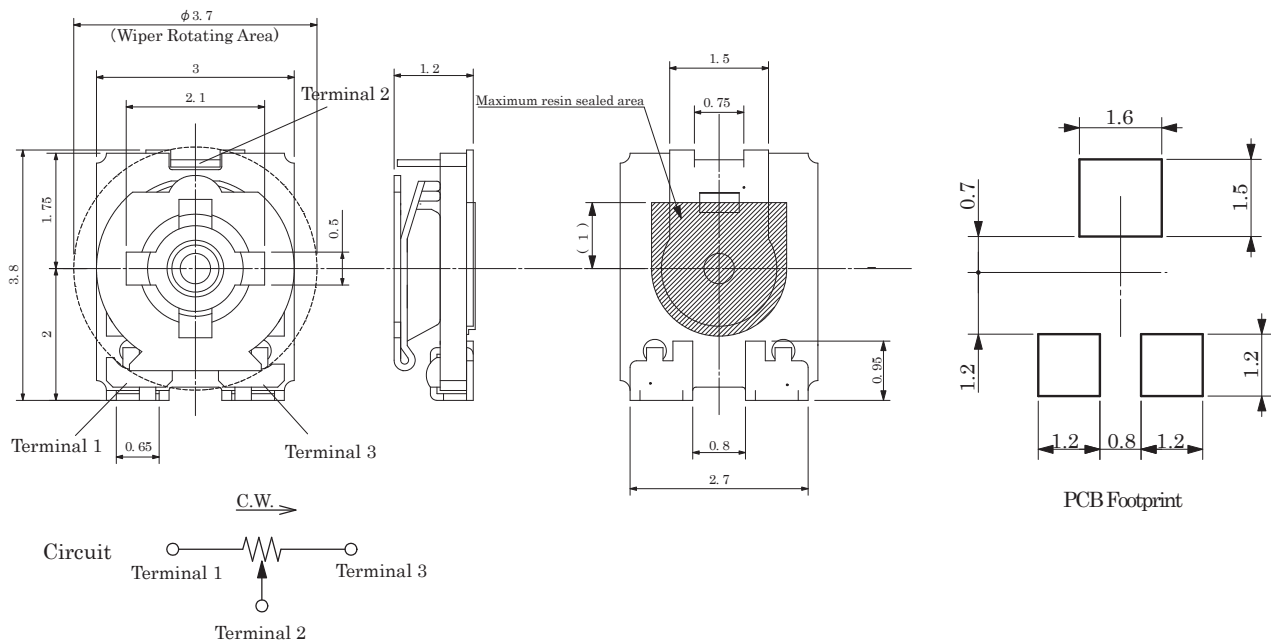
3mm size, Low profile type

## ■ Features

- Low profile type (1.2mm in height)
- With rotation stopper
- Achieved excellent endurance characteristics by using "Metal-glaze" film.
- Conform to RoHS Directives
- Reflow solderable



## ■ Dimensions (Unit: mm)

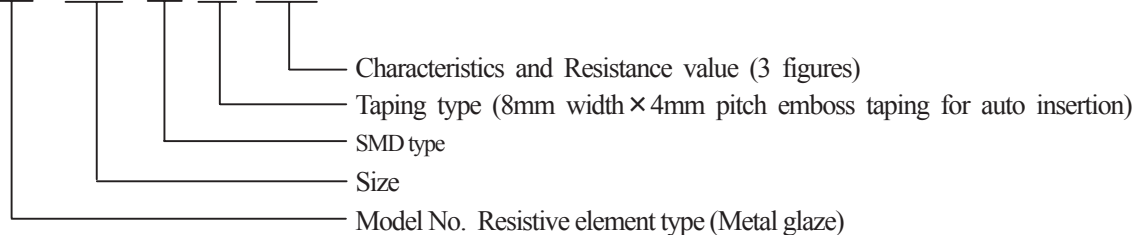


## ■ Specification

Item	Specification	Unit	Note
Nominal Total Resistance	100 ~ 1 M	$\Omega$	
Resistance Tolerance	$\pm 25$	%	
Rotational Torque	0.98 ~ 11.76	mN·m	
End Stop Strength	14.7 min.	mN·m	
Total Mechanical Rotation Angle	$270 \pm 20$	°	With rotation stopper
Rated Wattage	0.15	W	
Max. Working Voltage	50 or $V = \sqrt{PR}$ whichever is smaller	V	
T.C.R. (Temperature Coefficient of Resistance)	$\pm 250$	ppm/°C	
Operating Temperature Range	-40 ~ 100	°C	

## ■ Model Designation

VG 039N CH XT B\*\*\*



\*Packaging Quantity : 2,500pcs / Reel

## X-ON Electronics

Largest Supplier of Electrical and Electronic Components

*Click to view similar products for [Trimmer Resistors - Through Hole](#) category:*

*Click to view products by [HDK](#) manufacturer:*

Other Similar products are found below :

[56PR250K](#) [M63M102KB30T607](#) [M63M103KB40](#) [M63M501KB40](#) [M63P102KB30T607](#) [M63P105KB30T607](#) [M63P202KB40](#)  
[M63P203KB30T607](#) [M63P203KB40](#) [M63P205KB30T607](#) [M63P501KB40](#) [M63P502KB40](#) [M63S102KB40](#) [M63S103KB40](#) [M63X101KB40](#)  
[M63X103KB40](#) [M63X104KB40](#) [M63X501KB40](#) [M63X503KB40](#) [M70Y102KB25](#) [76PR500K](#) [79PR5K](#) [P8PY103KB25](#) [CT6P-103](#)  
[M63M102KB40](#) [M63M104KB40](#) [M63M502KB40](#) [M63P102KB40](#) [M63P103KB30T640](#) [M63P103KB40](#) [M63P104KB30T607](#)  
[M63P104KB40](#) [M63P204KB40](#) [M63P504KB40](#) [M63S203KB40](#) [M63S502KB40](#) [M63X105KB40](#) [M63X502KB40](#) [M70Y203KB25](#)  
[M70Y502KB25](#) [T9YA472KT20](#) [404806505008](#) [388N-100](#) [409HA102M](#) [4270W105K](#) [56PR2MEG](#) [82PR2KLFTB](#) [416MA504P](#) [SK 104](#)  
[25,4 STC TO 220](#) [9702-2SL-1](#)