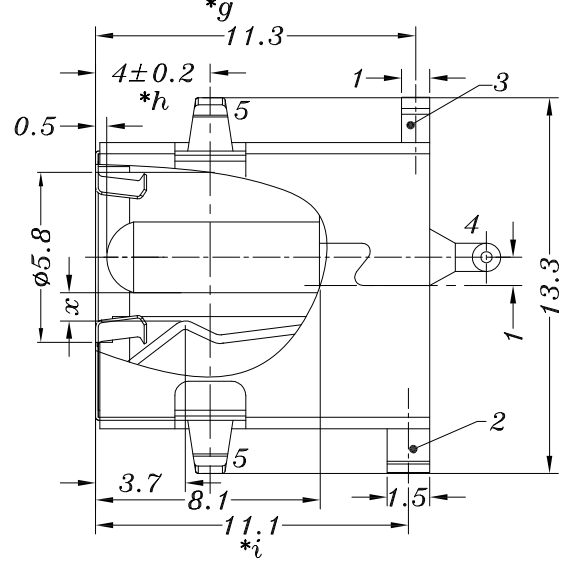
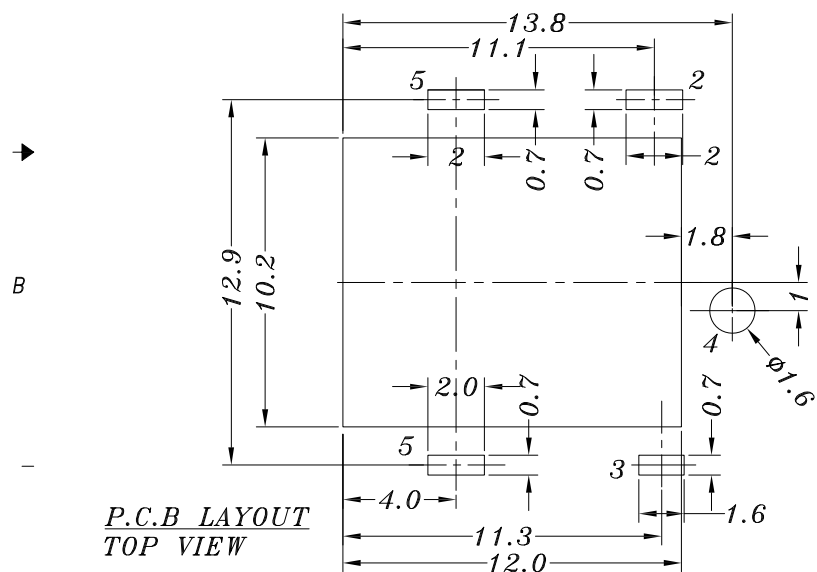
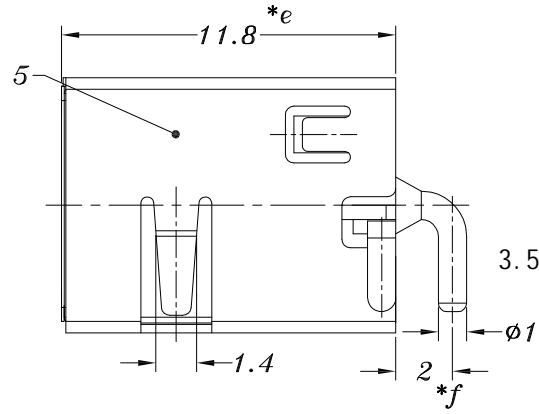
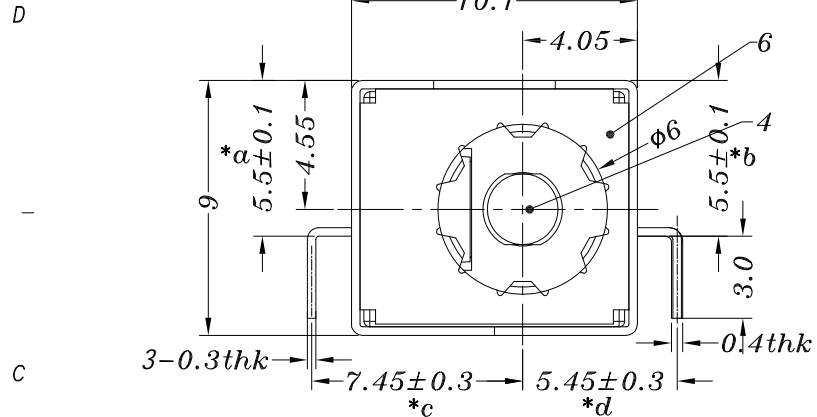


| | | |
|-----------|---------------|--------------------|
| 4 | 1 | 3 |
| CATEGORY | DESCRIPTION | P/N # |
| CONNECTOR | DC Power Jack | DC511B-11XL0-001-X |

| | | | | |
|------|--------|-------------|---------|-----------|
| 2 | 1 | | | |
| REV. | ECN NO | DESCRIPTION | REVISED | DATE |
| A01 | | New Release | YST | 2016.5.16 |

SPECIFICATION

1. Rating: DC 12V 7A;
2. Contact Resistance: $\leq 0.03\Omega$ MAX;
3. Insulation resistance: $\geq 100M\Omega$ (DC250V);
4. Withstand voltage :500VAC;
5. Insertion and extraction force: 3~40N;
6. Life test: 5,000 cycles.

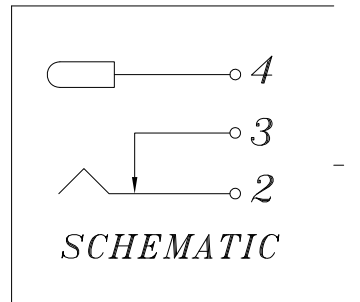


DC511B-11XL0-001-X

| Pin OD | |
|--------|--------|
| X | Pin OD |
| 5 | 1.65 |
| 7 | 2.00 |
| 9 | 2.50 |

X : C --- 载带自粘
C1 --- 载带热封
P --- 袋装


| PIN | φ1.65 | φ2.0 | φ2.5 |
|-------|-------|------|------|
| DIM x | 1.45 | 1.25 | 1.0 |
| APPD. | | | |



| | | | | |
|---|-------------------|-------|---|-----------|
| 7 | DC511 FIXED PIECE | SUS | 1 | WASHING |
| 6 | DC511 COVER | SUS | 1 | Ni PLATED |
| 5 | DC511B COAT | SUS | 1 | Ni PLATED |
| 4 | DC511 PING | BRASS | 1 | Ni PLATED |
| 3 | DC511 CURVE PIECE | BRASS | 1 | Ag PLATED |
| 2 | DC511 SPRING | PBS | 1 | Ag PLATED |
| 1 | DC511 CASE | LCP | 1 | |

| NO. | PART NAME | MATERIAL | QTY | FINISHING |
|-----|-----------|----------|-----|-----------|
|-----|-----------|----------|-----|-----------|

UNLESS OTHERWISE SPECIFIED TOLERANCES
 DECIMALS: X :±0.5 X.X :±0.3 X.XX :±0.2
 ANGLES: X :±2° X.X :±1°

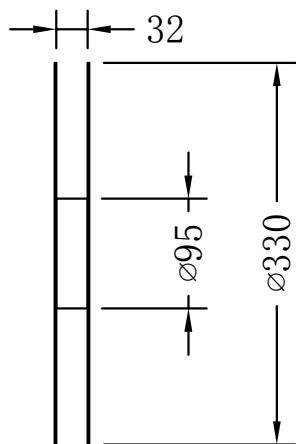
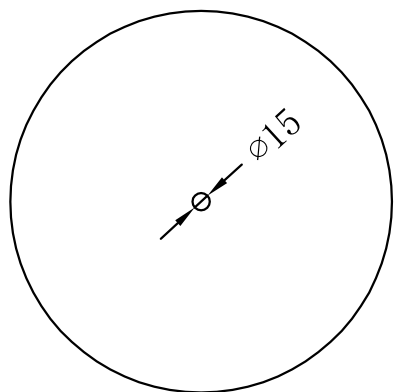
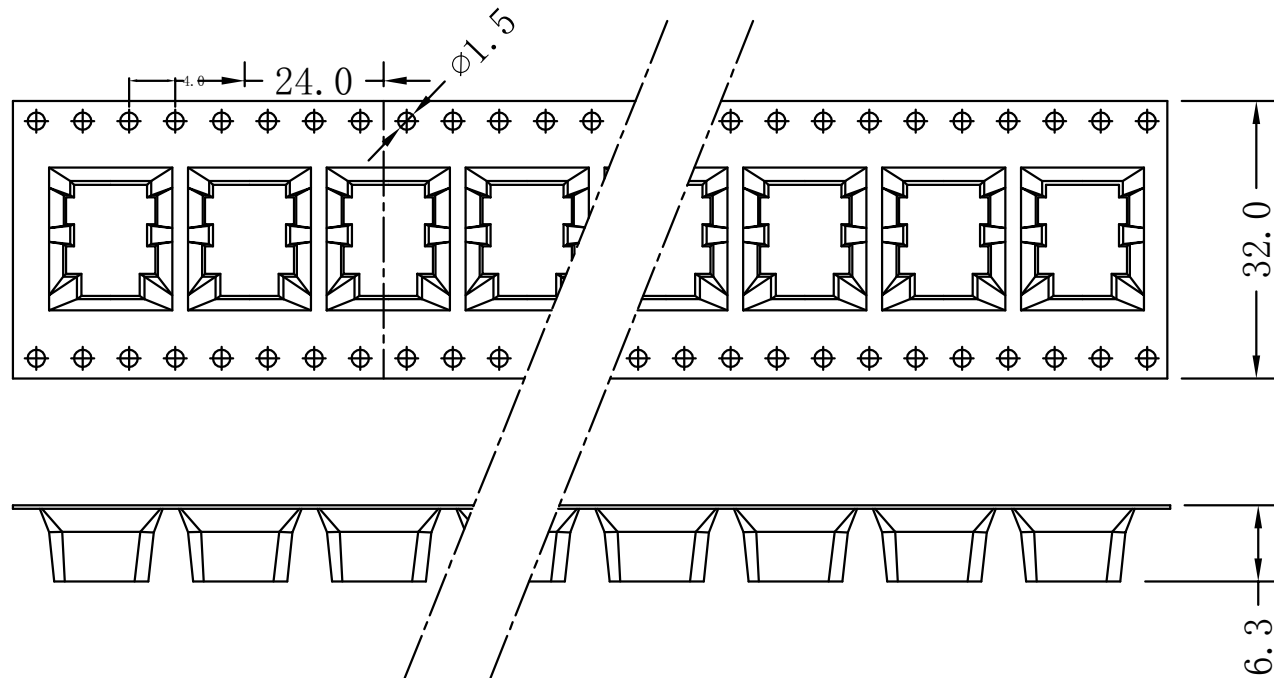

东莞市合陵电子有限公司
 Connector **DongGuan HeLing Electronic Co.,LTD**

SCALE:1/1 UNIT: mm DWG.NO:
 SIZE: A4 PAGE: 10F1 REV:A02

| | | |
|-------------|------------|-------------|
| APPROVED BY | CHECKED BY | PREPARED BY |
| DICK | XSY | YST |

CUSTOMER COPY

ROHS
2002/95/EC



一卷可编300pcs
一箱装 3600pcs

| | | | | |
|--------------|-------------|--------------------|--------------|-------------|
| UNIT: MM | TYPE: | MODEL NO: | PAPER NO: A4 | PAGE 1 OF 1 |
| | | DC511B-11XL0-001-X | TOLERANCE | ANGLES |
| | | | ±0.3 | ±2' |
| DESIGNER | | | SCALE | VER |
| CHECK | | | FULL | 0 |
| APPROVED BY: | Wang Jingli | | | |
| DATE : | 2009-10-29 | | | |



东莞市合陵电子有限公司

X-ON Electronics

Largest Supplier of Electrical and Electronic Components

Click to view similar products for [DC Power Connectors](#) category:

Click to view products by [Heling](#) manufacturer:

Other Similar products are found below :

[163-0308-EX](#) [163-4012-EX](#) [163-4117-EX](#) [163-MJ22-EX](#) [171-0721-EX](#) [KLDX-SMT-0202-BPTR](#) [163-0179-EX](#) [163-4015-EX](#) [171-0722-E](#)
[K596](#) [KLD-0201-BC](#) [4C6831AX](#) [LCB60PW-M](#) [LCB30PW-M](#) [LCB60PB-M](#) [LCC30PB-M](#) [LCB50PW-M](#) [LCB50-M](#) [LCB60-F](#) [LCC30-M](#)
[LCB40PW-M](#) [LCC30PW-M](#) [LCB50-F](#) [LCB40-F](#) [LCC40-M](#) [LCC40PB-M](#) [LCB40PB-M](#) [LCC40-F](#) [LCB60-M](#) [LCC40PW-M](#) [LCB50PB-M](#)
[513820200](#) [DC-S014A-D025-20A](#) [DC007B-2.5-J](#) [DC005-2.5](#) [DC005-2.5-T](#) [DC-S019A-D025-10A](#) [DC007B-2.0](#) [DC-018-2.5A-2.5](#) [DC-005-](#)
[A25](#) [DC-005-A20](#) [DC-002-100](#) [DC-031A-130](#) [DC-031A-100](#) [DC-003A-130](#) [DC-045-130](#) [DC-192-130](#) [DC-033-130](#) [DC-011-100](#) [DC-002F-](#)
[130](#)