

4	3	2	1
CATEGORY	DESCRIPTION	P/N #	
CONNECTOR	RJ45 10/100Mbps with LED	MJ1A-B211-RLX2T001-0	

REV.	ECN NO	DESCRIPTION	REVISED	DATE
A01		整理图画	WTF	2016.06.30

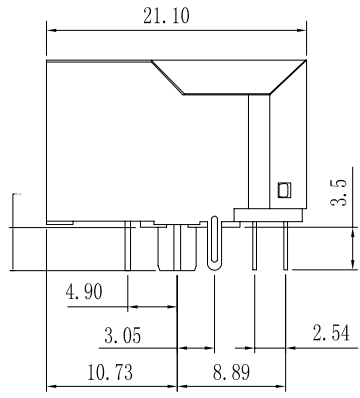
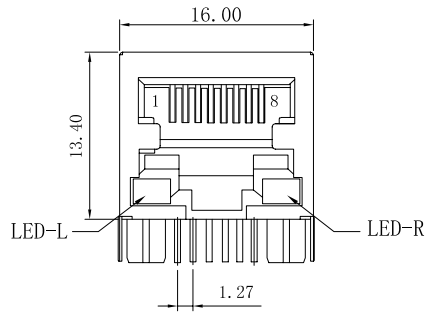
ELECTRICAL SPECIFICATIONS @ 25°C+/-5°C

Insertion Loss: 1-100MHZ -1.0dB MAX
 Return Loss: 1-30MHZ -16.0dB MIN
 30-60MHZ -14.0dB MIN
 60-80MHZ -10.0dB MIN

Cross Talk: 1-30MHZ -40.0dB MIN
 30-60MHZ -35.0dB MIN
 60-80MHZ -30.0dB MIN

Turn Ratio: 1CT:1CT+/-3%

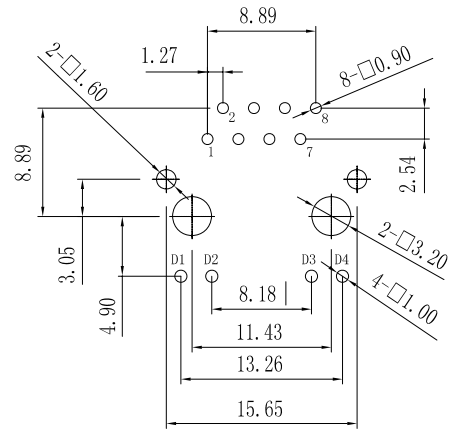
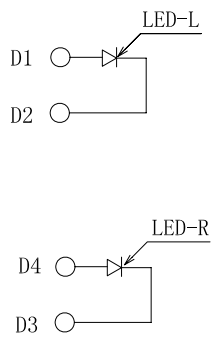
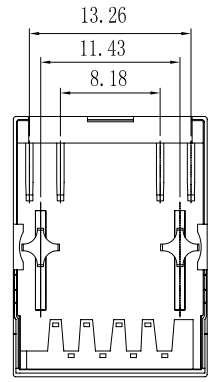
CMR:1-100MHZ -35.0dB MIN
 Hi-Pot: 1000v AC 2S 1mA
 OCL:350uH MIN @ 100KHZ 100mV 8mA DC
 Operating temperature range:0°C to +70°C



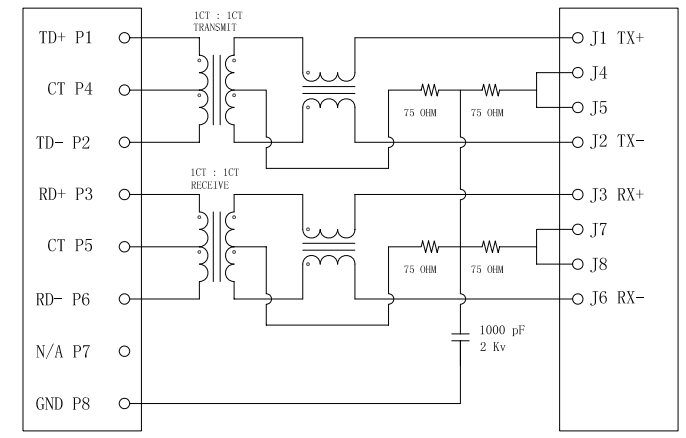
MJ1A-B211-RLX2T001-0

TABLE 1

X	LED-L	LED-R
1	GREEN	YELLOW
2	YELLOW	GREEN



Recommend PCB Layout
 (Jack Top View)
 Tolerance: ±0.05mm
 Recommend PCB Thickness: 1.6mm



g	LED-R	1	See Table1	Tin PALTING	
f	LED-L	1	See Table1	Tin PALTING	
e	SHELL	1	BRASS	Ni PALTING	
d	SOLDER TERMINAL	8	BRASS	Tin PALTING	
c	CONTACT TERMINAL	8	PHOSPHOR BRONZE	Au 6u" PALTING	
b	COVER	1	PBT UL94V-0	BLACK	
a	HOUSING	1	PBT UL94V-0	BLACK	
NO.	PART NAME	Q'TY	MATERIAL	PLATING & COLOR	Remark

東莞市合陵電子有限公司
 DongGuan HeLing Electronic Co.,LTD

UNLESS OTHERWISE SPECIFIED TOLERANCES ARE:	SCALE:1/1	UNIT: mm	DWG.NO:
	SIZE: A3	PAGE:1 OF 1	
DECIMALS: X :±0.5	APPROVED BY	CHECKED BY	PREPARED BY
ANGLES: X.X :±2°	DICK	XSX	WTF
X.XX :±0.3	CUSTOMER COPY		
X.XX :±0.2			

X-ON Electronics

Largest Supplier of Electrical and Electronic Components

Click to view similar products for [Modular Connectors](#) / [Ethernet Connectors](#) category:

Click to view products by [Heling](#) manufacturer:

Other Similar products are found below :

[8949-H88/06BLKA/SN](#) [74441-0010/BKN](#) [PHP-6P6C-5](#) [GAX-3-66](#) [GDCX-PN-66](#) [GLX-A-44](#) [GLX-N-1010M-BLK](#) [GLX-S-88M-BLK](#)
[GMX-SMT4-N-88](#) [GSGX-N-2-88](#) [GSGX-N-4-88](#) [GSX-NS2-88-3.05](#) [GSX-NS-88-3.68](#) [PT-108A-8C-UL](#) [PTS-J531-8CS-50UL](#) [A-2014-0-4](#)
[GWLX-S9-88-YG](#) [DC-1021-8-WH-6](#) [1300530003](#) [1324640-4](#) [132764-001](#) [1413235](#) [MPS88RX-5000](#) [E5288-S000K3-L](#) [155302-001](#)
[AX101050](#) [AX101063](#) [AX101065](#) [AX101072](#) [AX101307](#) [AX101315](#) [AX101318](#) [AX102271](#) [AX102277](#) [AX102651](#) [AX102660](#) [AX104024](#)
[203475](#) [PC4D0018P](#) [KIT38082NI](#) [8949-B88/6](#) [2-6609208-5](#) [30-8956](#) [30-8964-100](#) [SM85](#) [SM99S01VBNN04G7](#) [17-103540](#) [191587](#) [PDI-68-RV](#) [PHP-8P8C-S-5](#)