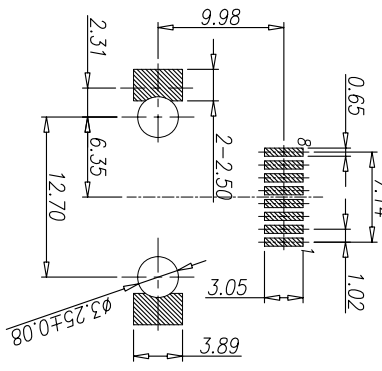
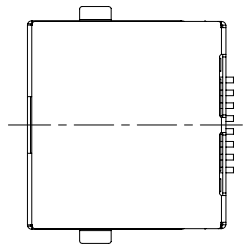


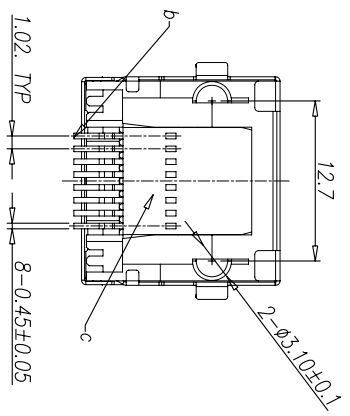
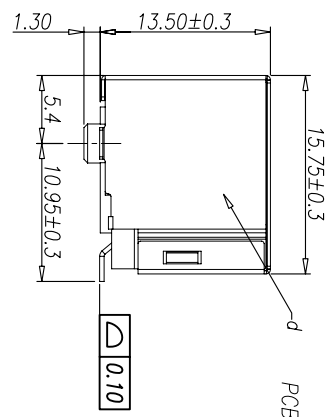
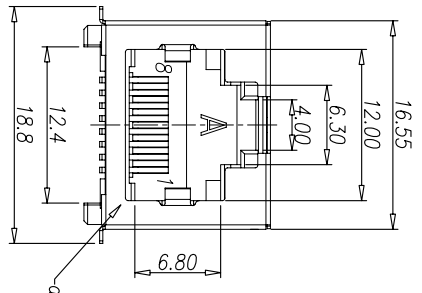
CATEGORY	DESCRIPTION	P/N #
CONNECTOR	Modular Jack, 8P8C, 90° WITH SHELL AND WITHOUT LED SMT TYPE	MJ5688-BX11-HR1-X

料号由原 MJ5688-BX11-HR1  
变更为 MJ5688-BX11-HR1-X

REV.	ECN NO	DESCRIPTION	REVISED	DATE
A01	—	New Release	XSY	2012.08.21
A02	—	整理图面, 修正管脚尺寸	XSY	2015.08.21
A03	—	新增包装选项	XSY	2016.05.06



RECOMMEND PCB LAYOUT  
PCB THICKNESS: 1.60mm.  
Jack Top View  
PCB LAUOUT TOLERANCE:  $\pm 0.05$ mm.



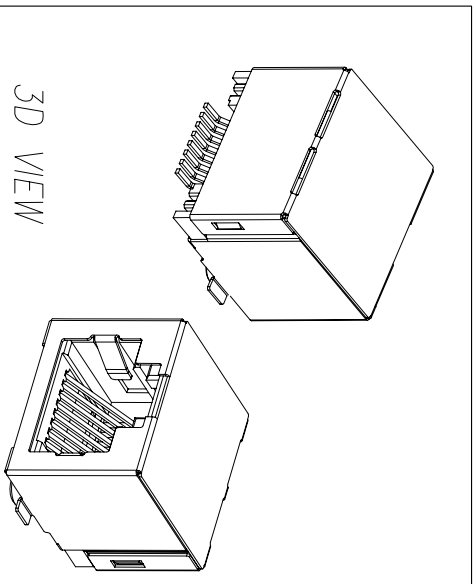
Material & Plating

X	Terminal Plating
0	Au 1u" Plating
1	Au 3u" Plating
2	Au 6u" Plating
3	Au 15u" Plating
4	Au 30u" Plating
5	Au 50u" Plating

X	包装方式
C	卷带包装
P	吸塑盒包装

d	Shell	1	Braze T=0.25mm	Plating Ni 30u" Min
c	Cover	1	LCP U194V-0	BLACK
b	Terminal	8	Phosphor Bronze T=0.35mm	Au/Tin Plating
a	Housing	1	LCP U194V-0	BLACK
NO.	PART NAME	QTY	MATERIAL	PLATING & COLOR

- Specifications:
1. Rated Current: 1.5A
  2. Contact resistance: 40mΩ MAX.
  3. Insulation resistance: 500MΩ MIN.
  4. Dielectric withstand: 500V AC for 1 minute
  5. Operating temperature: -40°C~+80°C
  6. Insertion/Extraction life: 750 Cycles
  7. To Conform to the "RoHS Directive"
  8. Resistance to reflow Soldering Heat 260°C 10 Seconds
  9. Solder ability Temperature 245±5°C, 5±0.5 Sec



东莞市合陵电子有限公司  
DongGuan Heling Electronic Co.,LTD

UNLESS OTHERWISE SPECIFIED TOLERANCES	SCALE: 1/1	UNIT: mm	DWG.NO:
DECIMALS: X ±0.5	SIZE: A3	PAGE: 1 OF 1	REV: A03
ANGLES: X ±2°	APPROVED BY	CHECKED BY	PREPARED BY
X.XX ±0.3	DICK	XSY	XSY
X.XXX ±0.2	CUSTOMER COPY		
X.XXX ±0.1	1		

## X-ON Electronics

Largest Supplier of Electrical and Electronic Components

*Click to view similar products for [Modular Connectors](#) / [Ethernet Connectors](#) category:*

*Click to view products by [Heling](#) manufacturer:*

Other Similar products are found below :

[RJE231881317T](#) [MP1010RX-1000](#) [MP44RX-1000](#) [GAX-3-66](#) [GAX-8-62](#) [93606-0253](#) [GD-A-44](#) [GDCX-PA-66-50](#) [GDCX-PN-64](#) [GDCX-PN-66](#) [GDCX-PN-66-50](#) [GDLX-A-66](#) [GDLX-A-88](#) [GDLX-N-66](#) [GDLX-S-88K](#) [GDTX-S-88-50](#) [GDX-PA-1010](#) [GLX-N-1010M-BLK](#) [GLX-N-44M](#) [GLX-S-88M-BLK](#) [GMX-N-1010](#) [GMX-S-1010](#) [GMX-S-66](#) [GMX-SMT2-N-1010](#) [GMX-SMT2-N-64-50](#) [GMX-SMT2-S6-88](#) [GMX-SMT4-N-88](#) [GPX-2-64](#) [GRT1-BT1-5](#) [GSGX-N-2-88](#) [GSX-NS2-88-3.05](#) [GSX-NS2-88-3.05-50](#) [GSX-NS-88-3.05-30](#) [GSX-NS-88-3.05-50](#) [GSX-NS-88-3.68](#) [1-1775629-2](#) [GWLX-S-88-GR](#) [GWLX-S9-88-YG](#) [1300500326](#) [1300500227](#) [1300530003](#) [1300570002](#) [1324640-4](#) [RJ11FTVC2G](#) [RJ11FTVC2N](#) [RJFTVX2SA1G](#) [132764-001](#) [1400000](#) [1413176](#) [1413235](#)