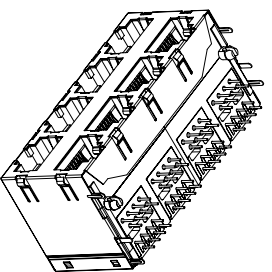
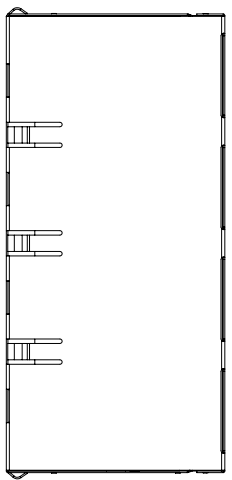


CATEGORY	DESCRIPTION	P/N #
CONNECTOR	RJ45 2x4 port 8P8C Connector	MJ5988-XX24-RSF4

REV.	ECN NO	DESCRIPTION	REVISED	DATE
A01		New Release	YST	2018.08.25



**NOTES:**

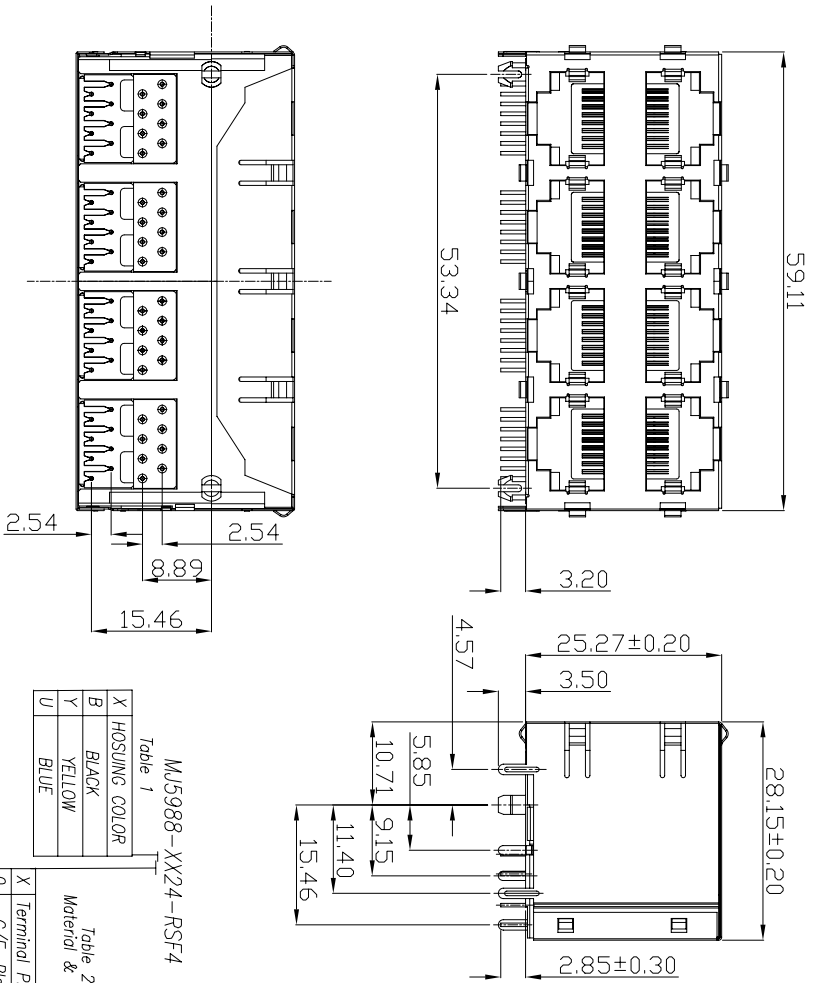
**MATERIAL:**  
HOUSING: GLASS FILLED POLYESTER UL94V-0 (ROUND PIN Ø0.6mm)  
2 CONTACT: PHOSPHOR BRONZE WITH GOLD PLATING OVER NICKEL  
3 SHIELD: 0.20mm THICKNESS COPPER ALLOY WITH NICKEL PLATED OPTION  
4 LED

**ELECTRICAL:**  
1 VOLTAGE RATING: 125V AC  
2 CURRENT RATING: 15AMP  
3 CONDUCT RESISTANCE: 30 MILLIOHMS MAX.  
4 INSULATION RESISTANCE: 500 MEGOHMS MIN @ 50V DC  
5 DIELECTRIC WITHSTANDING VOLTAGE: 1000V AC RMS 50Hz OR 60Hz MIN

**MECHANICAL:**  
1 TENSILE FORCE: 2.2kg MAX  
2 PREVENTION AGAINST AND PLUG: 2.7kg BETWEEN JACK AND PLUG  
3 DURABILITY: 750 CYCLES MIN

**ENVIRONMENTAL:**  
1 STORAGE: -40°C ~ +85°C  
2 OPERATION: -40°C TO 85°C

THE PARTS MODULAR PLUS CONFORMING TO FCC PART 68

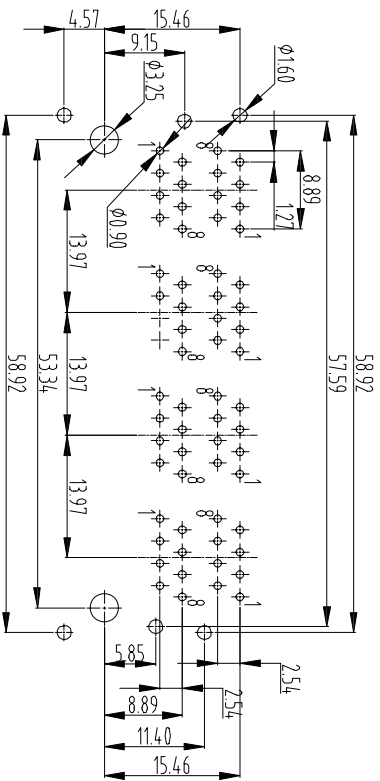


MJ5988-XX24-RSF4

X	HOUSING COLOR
B	BLACK
Y	YELLOW
U	BLUE

Material & Plating

X	Terminal Plating
0	G/F Plating
1	Au 30" Plating
2	Au 60" Plating
3	Au 150" Plating
4	Au 300" Plating
5	Au 500" Plating



UNLESS OTHERWISE SPECIFIED TOLERANCES

SCALE: 1/1 UNIT: mm

PAGE: 1 OF 1 REV: A01

DECIMALS:	ANGLES:
X : ±0.5	X : ±2°
XX : ±0.3	XX : ±1°
XXX : ±0.2	

 <b>东莞市合陵电子有限公司</b> <b>Dongguan Heling Electronic Co., LTD</b>				DWG. NO:	
				SCALE: 1/1 UNIT: mm	
PAGE: 1 OF 1 REV: A01	CHECKED BY	APPROVED BY	DICK	PREPARED BY	YST
CUSTOMER COPY					

## X-ON Electronics

Largest Supplier of Electrical and Electronic Components

*Click to view similar products for [Modular Connectors](#) / [Ethernet Connectors](#) category:*

*Click to view products by [Heling](#) manufacturer:*

Other Similar products are found below :

[RJE231881317T](#) [MP1010RX-1000](#) [MP44RX-1000](#) [GAX-3-66](#) [GAX-8-62](#) [93606-0253](#) [GD-A-44](#) [GDCX-PA-66-50](#) [GDCX-PN-64](#) [GDCX-PN-66](#) [GDCX-PN-66-50](#) [GDLX-A-66](#) [GDLX-A-88](#) [GDLX-N-66](#) [GDLX-S-88K](#) [GDTX-S-88-50](#) [GDX-PA-1010](#) [GLX-N-1010M-BLK](#) [GLX-N-44M](#) [GLX-S-88M-BLK](#) [GMX-N-1010](#) [GMX-S-1010](#) [GMX-S-66](#) [GMX-SMT2-N-1010](#) [GMX-SMT2-N-64-50](#) [GMX-SMT2-S6-88](#) [GMX-SMT4-N-88](#) [GPX-2-64](#) [GRT1-BT1-5](#) [GSGX-N-2-88](#) [GSX-NS2-88-3.05](#) [GSX-NS2-88-3.05-50](#) [GSX-NS-88-3.05-30](#) [GSX-NS-88-3.05-50](#) [GSX-NS-88-3.68](#) [1-1775629-2](#) [GWLX-S-88-GR](#) [GWLX-S9-88-YG](#) [1300500326](#) [1300500227](#) [1300530003](#) [1300570002](#) [1324640-4](#) [RJ11FTVC2G](#) [RJ11FTVC2N](#) [RJFTVX2SA1G](#) [132764-001](#) [1400000](#) [1413176](#) [1413235](#)