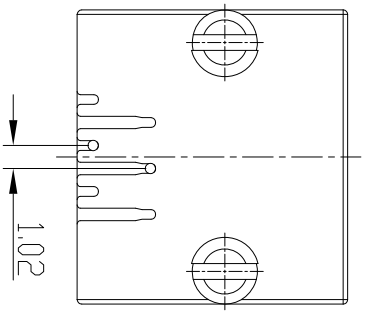
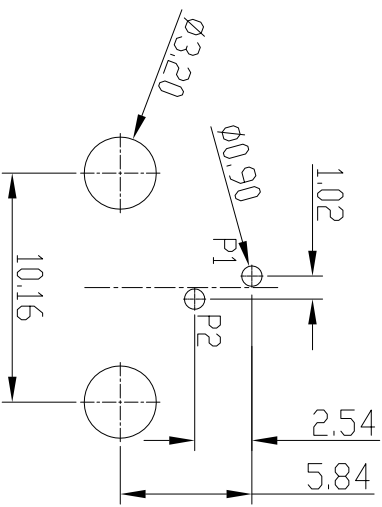
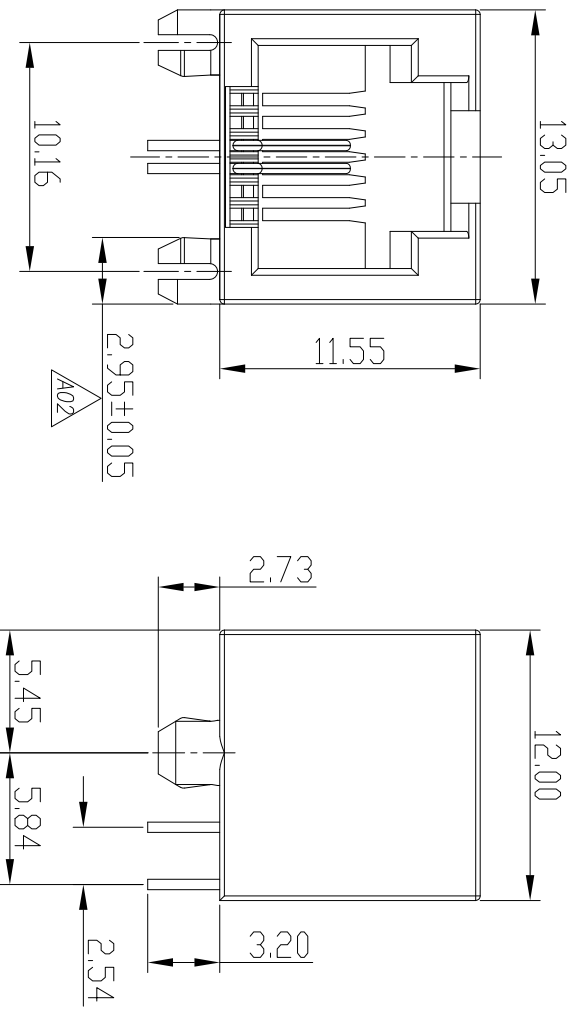


| | | |
|-----------|-----------------|------------------|
| CATEGORY | DESCRIPTION | P/N # |
| CONNECTOR | RJ11 6P2C 90度插板 | MU62-XX11-YRN001 |

| REV. | ECN NO | DESCRIPTION | REVISED | DATE |
|------|--------------|-------------|---------|------------|
| A01 | — | New Release | XSY | 2018.01.15 |
| A02 | ENG181106004 | 主体器件脚尺寸变更 | YST | 2018.11.06 |

1. RJ ELECTRICAL CHARACTERISTICS
- 1-1: VOLTAGE: 125V AC RMS
 - 1-2: CURRENT RATING: 1.5A
 - 1-3: CONTACT RESISTANCE: 40m Ω MAX.
 - 1-4: INSULATION RESISTANCE: 500M Ω MIN.
 - 1-5: DIELECTRIC WITHSTANG VOLTAGE : 1000V AC
 - 1-6: OPERATURE TEMPERATURE: -40°C~80°C



| | | | |
|---|------------|---|------------------|
| X | HOUSING | X | Terminal Plating |
| B | Black | 0 | G/F Plating |
| W | White | 1 | Au 3u" Plating |
| Y | Yellow | 2 | Au 6u" Plating |
| G | Gray D113C | 3 | Au 15u" Plating |
| | | 4 | Au 30u" Plating |

Recommend PCB Layout
 Jack Top View
 Tolerance: ±0.05mm
 Recommend PCB Thickness: 1.6mm

连接器
 DongGuan Heling Electronic Co.,LTD
 东莞市合陵电子有限公司

| | | | |
|---------------------------------------|-------------|--------------|-------------|
| UNLESS OTHERWISE SPECIFIED TOLERANCES | SCALE: 1/1 | UNIT: mm | DWG. NO: |
| DECIMALS: X : ±0.5 | SIZE: A3 | PAGE: 1 OF 1 | REV: A02 |
| ANGLES: X.X : ±0.3 | APPROVED BY | CHECKED BY | PREPARED BY |
| X.XX : ±0.2 | DICK | XSY | YST |

| | | | | | | |
|-----|-----------|-----|-----------------|---------|-----------------|--------|
| b | TERMINAL | 2 | PHOSPHOR BRONZE | ∅0.46mm | AU PLATING | |
| a | HOUSING | 1 | PBT UL94V-0 | | SEE TABLE | |
| NO. | PART NAME | QTY | MATERIAL | | PLATING & COLOR | Remark |

A B C D

A B C D

4

2

1

X-ON Electronics

Largest Supplier of Electrical and Electronic Components

Click to view similar products for [Modular Connectors](#) / [Ethernet Connectors](#) category:

Click to view products by [Heling](#) manufacturer:

Other Similar products are found below :

[8949-H88/06BLKA/SN](#) [74441-0010/BKN](#) [PHP-6P6C-5](#) [GAX-3-66](#) [GDCX-PN-66](#) [GLX-A-44](#) [GLX-N-1010M-BLK](#) [GLX-S-88M-BLK](#)
[GMX-SMT4-N-88](#) [GSGX-N-2-88](#) [GSGX-N-4-88](#) [GSX-NS2-88-3.05](#) [GSX-NS-88-3.68](#) [PT-108A-8C-UL](#) [PTS-J531-8CS-50UL](#) [A-2014-0-4](#)
[GWLX-S9-88-YG](#) [DC-1021-8-WH-6](#) [1300530003](#) [1324640-4](#) [132764-001](#) [1413235](#) [MPS88RX-5000](#) [E5288-S000K3-L](#) [155302-001](#)
[AX101050](#) [AX101063](#) [AX101065](#) [AX101072](#) [AX101307](#) [AX101315](#) [AX101318](#) [AX102271](#) [AX102277](#) [AX102651](#) [AX102660](#) [AX104024](#)
[203475](#) [PC4D0018P](#) [KIT38082NI](#) [8949-B88/6](#) [2-6609208-5](#) [30-8956](#) [30-8964-100](#) [SM85](#) [SM99S01VBNN04G7](#) [17-103540](#) [191587](#) [PDI-68-RV](#) [PHP-8P8C-S-5](#)