

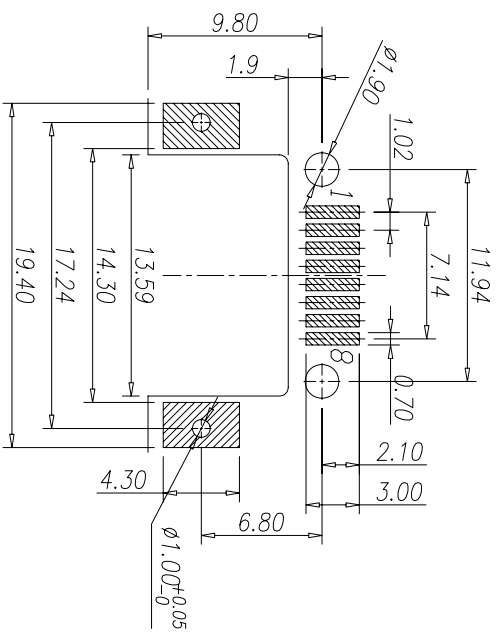
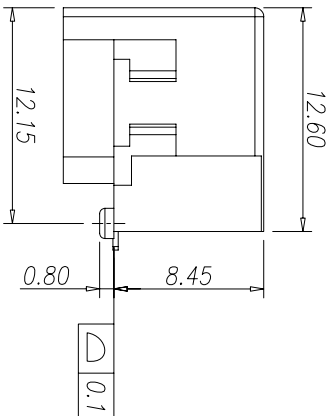
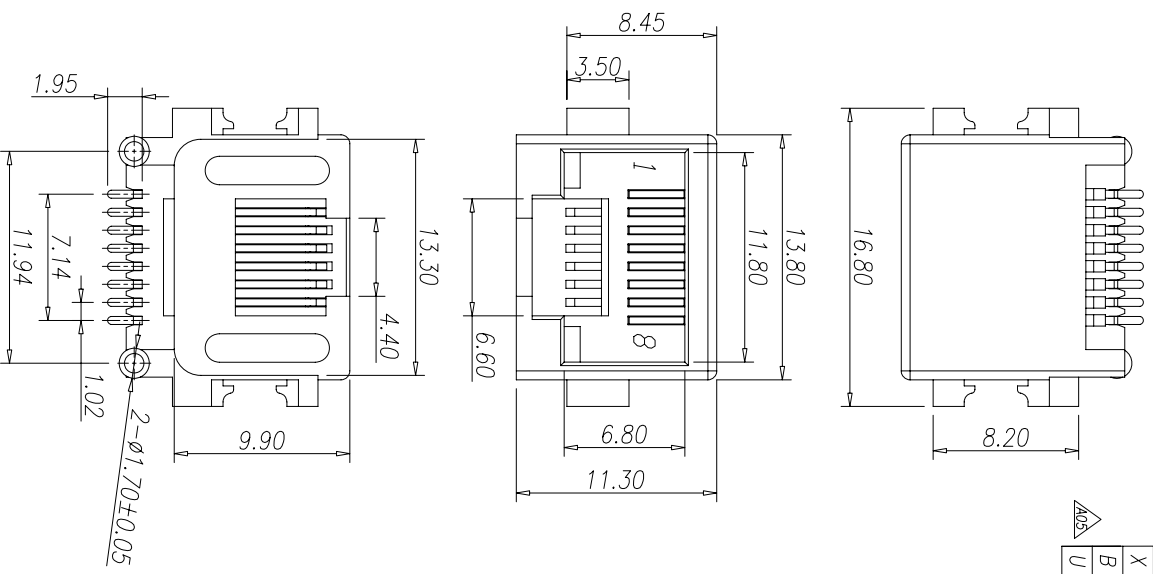
CATEGORY	CONNECTOR	DESCRIPTION	沉板H=8.45全塑无灯	P/N #	MJ88-XX11-HRVWS1-X	料号由原 MJ88-BX11-HRVWS1 变更为 MJ88-XX11-HRVWS1-X	REV.	ECN NO	DESCRIPTION	REVISED	DATE
							A04		区分卷带包装方式	XSY	2017.12.28
							A05		增加塑胶材质选项	XSY	2018.06.01

Table 1

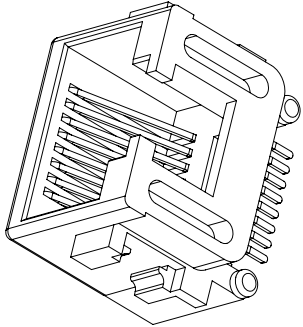
X	Color	housing Material	包装方式
B	Black	LCP UL94V-0	C 卷带包装百箱式
U	Blue CX018	PA9T UL94V-0	C1 卷带包装热封式
			P 吸塑盒包装

X	Terminal Plating
0	Au 1u" Plating
1	Au 3u" Plating
2	Au 6u" Plating
3	Au 15u" Plating
4	Au 30u" Plating
5	Au 50u" Plating


- SPECIFICATIONS:
1. Voltage: 150V AC RMS
 2. Current Rating: 1.5A
 3. Contact Resistance: 40mΩ MAX.
 4. Insulation Resistance: 500MΩ MIN.
 5. Dielectric Withstand Voltage :1000V AC
 6. Operate Temperature: -40°C~80°C
 7. Durability: 750 Mating Cycles MIN.



Recommend PCB Layout
(Jack Top View)
Tolerance: ±0.05mm



b	Terminal	8	Phosphor Bronze	Au/Tin Plating		UNLESS OTHERWISE SPECIFIED TOLERANCES	SCALE:1/1	UNIT: mm	DWG.NO:
a	Housing	1	See Table 1	See Table 1		DECIMALS:	SIZE: A3	PAGE: 1 OF 1	REV: A05
NO.	PART NAME	Q'TY	MATERIAL	PLATING & COLOR	Remark	ANGLES:	APPROVED BY	CHECKED BY	PREPARED BY
						X.XX : ±0.5	DICK	XSY	XSY
						X.XX : ±0.3	CUSTOMER COPY		
						X.XX : ±0.2			


东莞市合陵电子有限公司
 DongGuan Heling Electronic Co.,LTD

X-ON Electronics

Largest Supplier of Electrical and Electronic Components

Click to view similar products for [helix](#) manufacturer:

Other Similar products are found below :

[MJ5688-Y011-GRNL1](#) [MJ6-B211-RVS1T073-C](#) [MJ88-B011-HLRS1-P](#) [MJ5988-B024-RSF4](#) [MJ5608-B014-HRN2](#) [MJ88-B011-JRVS1-P](#)
[MJ5688-B011-GRL1](#) [MJ88-B011-KRS1](#) [MJ881A-B011-HLRV2-C](#) [MJ88-B011-HRNVS1-C](#) [MJ881B-B011-HRVL11-P](#) [MJ5388-Y011-](#)
[HRN1](#) [MJ5688-B011-HPRNLD](#) [MJ88-B011-HLSV6-P](#) [MJ88H-B011-HLRV1-1P](#) [MJ88B-B011-RVL11-P](#) [MJ5688-B011-GRSL1](#) [MJ88C-](#)
[B111-HP4-P](#) [MJ5388-Y014-HRN1](#) [MJ88-B011-HRVS3-P](#)