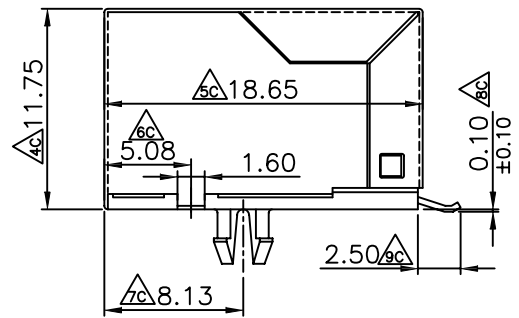
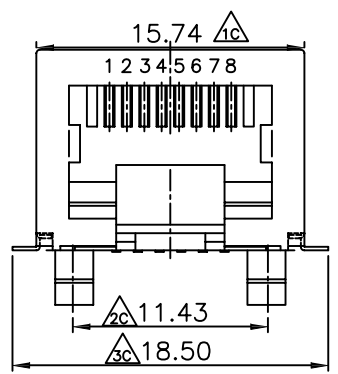
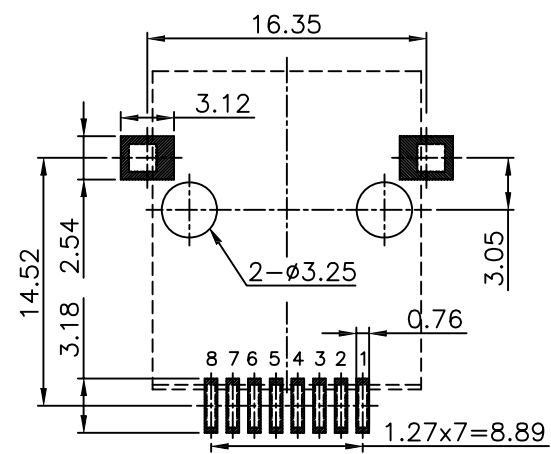
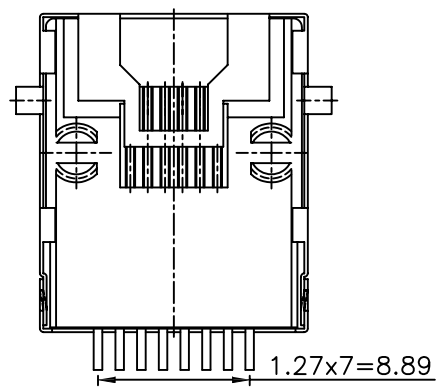


4	3	2	1
CATEGORY	DESCRIPTION	P/N #	
CONNECTOR	Modular Jack, 8P8C, 1x1PORT SMT TYPE	MJ88-BX11-JRS3	

REV.	ECN NO	DESCRIPTION	REVISED	DATE
A01		New Release	Kelly	2010.03.21



SPECIFICATION
 1.CURRENT RATING: 1.5AMPS
 2.VOLTAGE RATING: 125V AC
 3.INSULATION RESISTANCE: 500MΩ MIN.
 4.WITHSTAND VOLTAGE:
 AC1000V RMS 50Hz or 60Hz MIN.
 5.CONTACT RESISTANCE:30mΩ MAX.
 6.DURABILITY: 750 MATING CYCLES
 7.OPERATING TEMPERATURE: -25°C~+70°C



Part No.: MJ88-BX11-JRS3
 Material & Plating

Table 1

X	Terminal Plating
0	Au 1u" Plating
1	Au 3u" Plating
2	Au 6u" Plating
3	Au 15u" Plating
4	Au 30u" Plating
5	Au 50u" Plating

PCB LAYOUT/TOP VIEW

MATERIALS:
 PLASTIC HOUSING: ENGINEERING THERMOPLASTIC
 FLAMMABILITY RATING UL 94V-0.
 CONTACTS: PHOSPHOR BRONZE
 PLATING: GOLD PLATING OVER NICKEL IN CONTACT.
 TIN PLATING OVER NICKEL IN SOLDER AREA.

Product Drawing
Dongguan Heling Electronic Co.,LTD

UNLESS OTHERWISE SPECIFIED TOLERANCES	SCALE:1/1 UNIT: mm	⊕ ⊖ DWG.NO:
DECIMALS: X :±0.5 X.X :±0.3 X.XX :±0.2	SIZE: A3 PAGE:1 OF 1	REV:A01 WI-061-751
ANGLES: X :±2° X.X :±1'	APPROVED BY	CHECKED BY
	Tony	Bill
		PREPARED BY Kelly
CUSTOMER COPY		

X-ON Electronics

Largest Supplier of Electrical and Electronic Components

Click to view similar products for [Modular Connectors](#) / [Ethernet Connectors](#) category:

Click to view products by [Heling](#) manufacturer:

Other Similar products are found below :

[8949-H88/06BLKA/SN](#) [74441-0010/BKN](#) [PHP-6P6C-5](#) [GAX-3-66](#) [GDCX-PN-66](#) [GLX-A-44](#) [GLX-N-1010M-BLK](#) [GLX-S-88M-BLK](#)
[GMX-SMT4-N-88](#) [GSGX-N-2-88](#) [GSGX-N-4-88](#) [GSX-NS2-88-3.05](#) [GSX-NS-88-3.68](#) [PT-108A-8C-UL](#) [PTS-J531-8CS-50UL](#) [A-2014-0-4](#)
[GWLX-S9-88-YG](#) [DC-1021-8-WH-6](#) [1300530003](#) [1324640-4](#) [132764-001](#) [1413235](#) [MPS88RX-5000](#) [E5288-S000K3-L](#) [155302-001](#)
[AX101050](#) [AX101063](#) [AX101065](#) [AX101072](#) [AX101307](#) [AX101315](#) [AX101318](#) [AX102271](#) [AX102277](#) [AX102651](#) [AX102660](#) [AX104024](#)
[203475](#) [PC4D0018P](#) [KIT38082NI](#) [8949-B88/6](#) [2-6609208-5](#) [30-8956](#) [30-8964-100](#) [SM85](#) [SM99S01VBNN04G7](#) [17-103540](#) [191587](#) [PDI-68-RV](#) [PHP-8P8C-S-5](#)