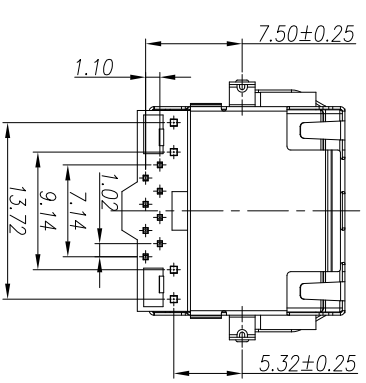
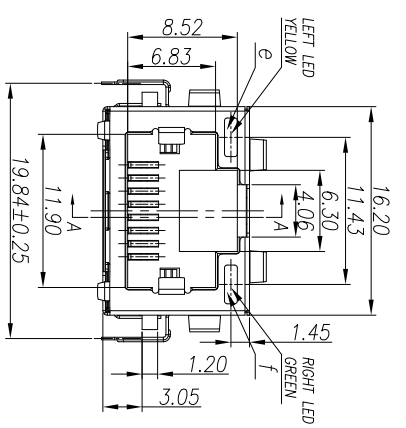
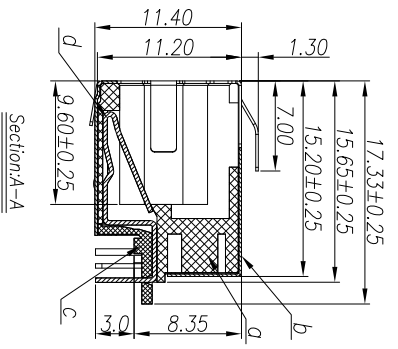
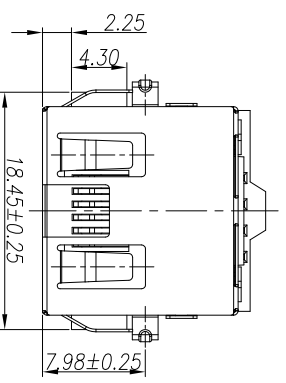


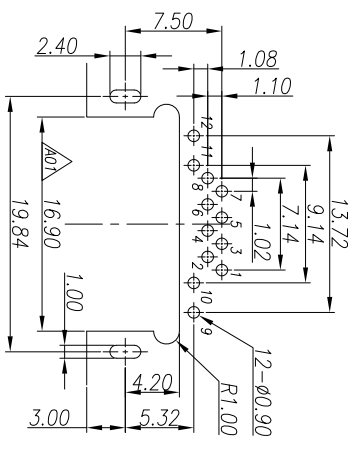
CATEGORY	DESCRIPTION	P/N #
CONNECTOR	Modular Jack, 8P8C, R/A, With LED	MJ88-XX11-RVSL2-X

料号由原 MJ88-BX11-RVSL2-X
变更为 MJ88-XX11-RVSL2-X

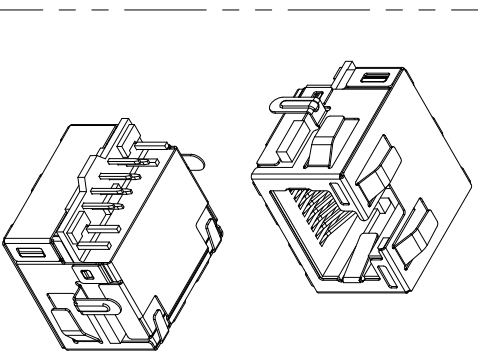
REV.	ECN NO	DESCRIPTION	REVISED	DATE
A01		修改PCB尺寸	XSY	2016.06.28
A02		增加包装选项	XFY	2017.08.28
A03		塑胶主体增加颜色选项	XSY	2017.12.18



- SPECIFICATION**
- CURRENT RATING: 1.5AMPS
 - VOLTAGE RATING: 125V AC
 - INSULATION RESISTANCE: 500MΩ MIN.
 - WITHSTAND VOLTAGE:
 - AC1000V RMS 50Hz or 60Hz MIN.
 - CONTACT RESISTANCE:40mΩ MAX.
 - DURABILITY: 750 MATING CYCLES
 - OPERATING TEMPERATURE: -40°C~+80°C



RECOMMENDED PCB LAYOUT (TOP VIEW)
(ALL TOLERANCES ARE ±0.05)



3D VIEW

X	Terminal Plating	X	包装方式
B	LCP BLACK	C	卷带包装
U	PA9T BLUE(RAL 5002)	P	吸塑盒包装

X	Terminal Plating
0	Au 1u" Plating
1	Au 3u" Plating
2	Au 6u" Plating
3	Au 15u" Plating
4	Au 30u" Plating
5	Au 50u" Plating

LED COLOR	
MODE	COLOR
LED-R 10(+) 9(-)	GREEN 10- 9
LED-L 12(+) 11(-)	YELLOW 12- 11

NO.	PART NAME	Q'TY	MATERIAL	PLATING & COLOR	Remark
f	LED-R	1	GREEN		
e	LED-L	1	YELLOW		
d	Terminal	8	PHOSPHOR BRONZE T=0.35mm	Au Plating	
c	Cover	1	LCP+30%GF UL94V-0	Black	
b	Shell	1	BRASS T=0.20mm	NI	
a	Housing	1	THERMOPLASTIC UL94V-0	SEE TABLE	

UNLESS OTHERWISE SPECIFIED TOLERANCES		SCALE: 1/1		UNIT: mm	
DECIMALS: ±0.5		APPROVED BY		XSY	
ANGLES: ±2°		CHECKED BY		XSY	
X.X: ±0.3		DICK		XSY	
X.XX: ±0.2		CUSTOMER COPY			

東莞市合陵電子有限公司
DongGuan Heling Electronic Co.,LTD

SCALE: 1/1 UNIT: mm PAGE: 10F1 REV: A03 DWG. NO: WI-061-110

X-ON Electronics

Largest Supplier of Electrical and Electronic Components

Click to view similar products for [Modular Connectors](#) / [Ethernet Connectors](#) category:

Click to view products by [Heling](#) manufacturer:

Other Similar products are found below :

[8949-H88/06BLKA/SN](#) [74441-0010/BKN](#) [PHP-6P6C-5](#) [GAX-3-66](#) [GAX-8-62](#) [GDCX-PN-66](#) [GLX-A-44](#) [GLX-N-1010M-BLK](#) [GMX-SMT4-N-88](#) [GSGX-N-2-88](#) [GSGX-N-4-88](#) [GSX-NS2-88-3.05](#) [GSX-NS-88-3.68](#) [PT-108A-8C-UL](#) [PTS-J531-8CS-50UL](#) [A-2014-0-4](#) [GWLX-S9-88-YG](#) [DC-1021-8-WH-6](#) [1300530003](#) [1324640-4](#) [RJ11FTVC2G](#) [RJ11FTVC2N](#) [RJFTVX2SA1G](#) [132764-001](#) [1413235](#) [MPS88RX-5000](#) [E5288-S000K3-L](#) [155302-001](#) [AX101050](#) [AX101063](#) [AX101065](#) [AX101072](#) [AX101307](#) [AX101314](#) [AX101315](#) [AX101318](#) [AX102271](#) [AX102288](#) [AX102651](#) [AX102660](#) [HXJ5EOR](#) [J0012D21NL](#) [J0026D01ENL](#) [PC4D0018P](#) [8949-B88/6](#) [2-6609208-5](#) [303066VFL](#) [303068V](#) [303088LFLSA](#) [303088SBL](#)