

CATEGORY	DESCRIPTION	P/N #
CONNECTOR	10/100/1000 BASE-T DUAL PORT SMD TRANSFORMER MODULE	MT24-S1T1

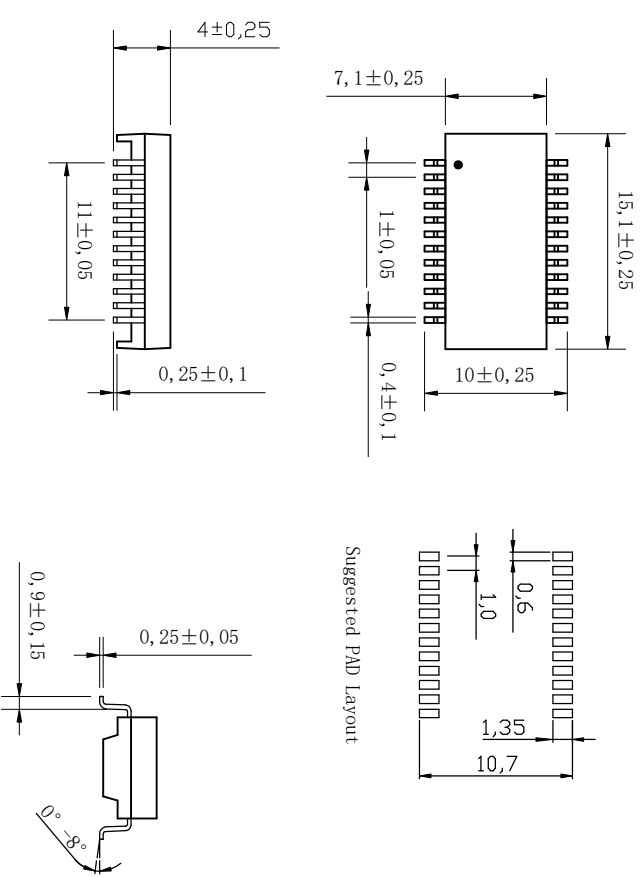
REV.	ECN NO	DESCRIPTION	REVISED	DATE
A01	—	—	KELLY	2009.05.17
A01	—	修改胶壳底部	KELLY	2016.12.08

Designed To Meet IEEE 802.3 & ANSI X 3.263 Standards.  
 Lead-Free & Designed To Meet RoHS Requirement  
 10/100/1000 Base-T, Surface Mount Type, Open Header.  
 Operating temperature range: 0 °C to +70 °C.

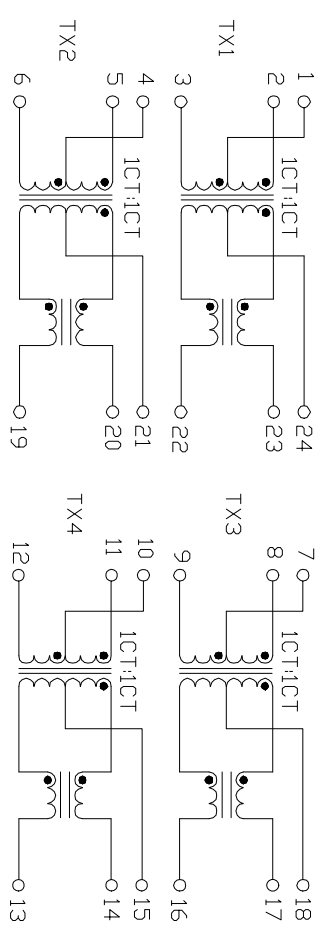
**Electrical Specifications @25°C**

Part Number	OCL (uH Min) @100kHz±0.1V With 8mA DC Bias	Turns Ratio (±3%)	Insertion Loss (dB Max)		Return Loss (dB Min)		Cross talk (dB Min)		CMRR (dB Min) 0.5-100MHz	HI-POT (Vrms)
			0.5-100MHz	0.5-40MHz	40.1-100MHz	40.1-100MHz	0.5-40MHz	40.1-100MHz		
Smd2402G	350	1CT:1CT	-1.1	-18	-12+20*log(f/80)	-35	-33+20*log(f/50)	-30	1500	

**MECHANICAL**



**SCHEMATICS**



REV:PRELIMINARY

UNLESS OTHERWISE SPECIFIED TOLERANCES

DECIMALS: X :±0.5  
X.X :±0.3  
X.XX :±0.2

ANGLES: X :±2°  
X.X :±1°  
X.XX :±1°

SCALE: 1/1

SIZE: A3

PAGE: 1 OF 1

APPROVED BY: TNOY

CHECKED BY: BILL

PREPARED BY: KELLY

**东莞市合陵电子有限公司**  
Dongguan Heling Electronic Co., LTD

CONNECTOR

UNIT: mm

DWG. NO:

CUSTOMER COPY

## X-ON Electronics

Largest Supplier of Electrical and Electronic Components

*Click to view similar products for [Audio Transformers](#) / [Signal Transformers](#) category:*

*Click to view products by [Heling](#) manufacturer:*

Other Similar products are found below :

[749023020](#) [CU4S0506AT-2655-H1](#) [MET-58](#) [PE-64961](#) [H5008FNL](#) [H5020FNLT](#) [H5079NLT](#) [1879479-1](#) [1879564-1](#) [PA1277NLT](#)  
[PA1528ANL](#) [PA2007NLT](#) [FL1066](#) [T1137NLT](#) [T3012NL](#) [PE-65812FNL](#) [TTC-100](#) [TTC-143-H](#) [TTC-5032-1](#) [HX1234NLT](#) [HX5008FNLT](#)  
[100B-1001XNL](#) [PA1282NLT](#) [HX5084FNL](#) [T1108NLT](#) [2-1879391-5](#) [TTC-266-2](#) [3-1879385-4](#) [PA1032NL](#) [H2009FNLT](#) [PA0801NLT](#)  
[TTC-266](#) [X-1619](#) [SM51295PEL](#) [T5008NLT](#) [PE-68517T](#) [HX1294NLT](#) [HX5084FNLT](#) [H5015FNLT](#) [H6080NLT](#) [CX2024NL](#) [HX1294FNLT](#)  
[TX1473NLT](#) [PE-69011NLT](#) [CX2047LNLT](#) [CX2043LNLT](#) [DCT20EFD-U32S003](#) [H5120NLT](#) [H7137FNLT](#) [H1259NLT](#)