

CATEGORY	DESCRIPTION	P/N #
CONNECTOR	Transformer 100 Mbps	MT28-XS002

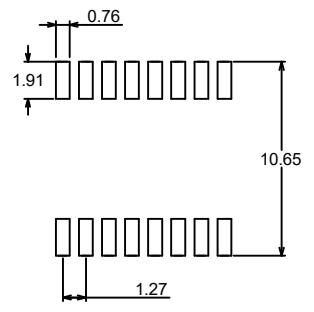
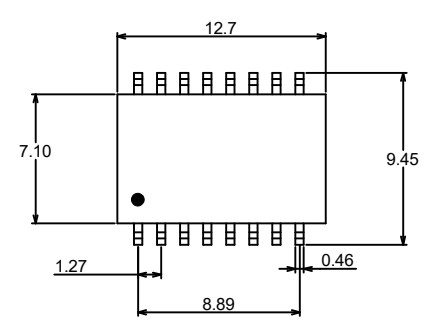
旧料号: MT28-XS001  
变更后料号: MT28-XS002

REV.	ECN NO	DESCRIPTION	REVISED	DATE
A01	_____	_____	KELLY	2009.05.17
A02	_____	修改P脚结构	KELLY	2016.11.02

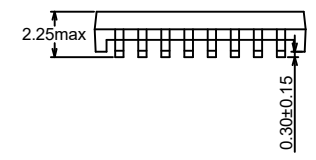
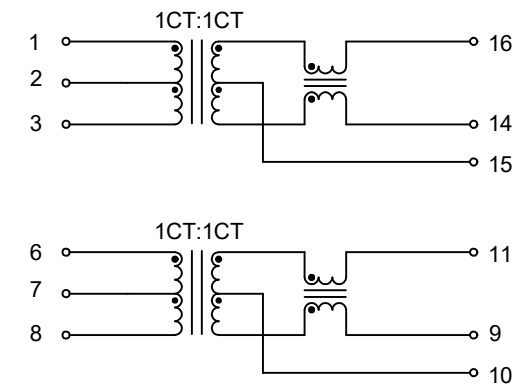
- Designed To Meet IEEE 802.3 & ANSI X 3.263 Standards.
- Lead-Free&Designed To Meet RoHS Requirement.
- 10/100 Base-T,Surface Mount Type,Open Header .
- Operating temperature range: 0 °C to +70 °C .

**Electrical Specifications @25°C**

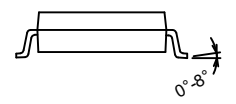
Part Number	OCL(uH Min) @100KHz,0.1V	Turns Ratio (±5%)	Insertion Loss (dB Max)	Return Loss (dB Min)			Cross talk (dB Min)		CMRR (dB Min)	HI-POT (Vrms)
				0.5-100MHz	0.5-30MHz	30.1-60MHz	60.1-80MHz	0.5-40MHz		
Yxsmd1602-AG	350	1CT:1CT	-1.1	-18	-18+20*log(f/30)	-12	-35	-33+20*log(f/50)	-30	1500



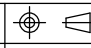
SUGGESTED PAD LAYOUT



0.10  
16 SURFACES



 东莞市合陵电子有限公司  
DongGuan HeLing Electronic Co.,LTD

UNLESS OTHERWISE SPECIFIED TOLERANCES	SCALE:1/1	UNIT: mm		DWG.NO:
	SIZE: A3	PAGE:1 OF 1	REV:A02	
DECIMALS: X :±0.5 X.X :±0.3 X.XX :±0.2	ANGLES: X :±2° X.X :±1°	APPROVED BY TNOY	CHECKED BY BILL	PREPARED BY KELLY
<b>CUSTOMER COPY</b>				

## X-ON Electronics

Largest Supplier of Electrical and Electronic Components

*Click to view similar products for [Audio Transformers](#) / [Signal Transformers](#) category:*

*Click to view products by [Heling](#) manufacturer:*

Other Similar products are found below :

[CU4S0506AT-2655-H1](#) [MGPWT-00449-P](#) [PE-64961](#) [1812WBT2-4](#) [BX1194WNL](#) [1879479-1](#) [PA1528ANL](#) [T1137NLT](#) [T3012NL](#) [PE-65848FNLT](#) [H5019EFNL](#) [CX2045ALNLT](#) [MET-14](#) [MGPWT-00059-P](#) [MGPWT-00266-P](#) [MGPWT-00278-P](#) [MGPWT-00431-P](#) [TTC-100](#) [TTC-143-H](#) [TTC-5032-1](#) [4-1879391-0](#) [100213](#) [T1142NL](#) [T1124NL](#) [1879732-1](#) [2-1879391-5](#) [B8846NL](#) [MABA-010321-CT1A42](#) [TX1341NL](#) [H0013FNL](#) [H5020FNL](#) [H2009FNLT](#) [H5004NLT](#) [S553-5999-52-F](#) [T5008NLT](#) [PE-68517T](#) [TG111-E212NWLFR](#) [H5014FNLT](#) [TX1473NLT](#) [PE-69011NLT](#) [CX2043LNLT](#) [H7137FNLT](#) [H1259NLT](#) [TX1344NLT](#) [LM-LP-1005L](#) [H0013NLT](#) [S558-5500-JV](#) [TX1193NLT](#) [T7015NL](#) [T1124NLT](#)