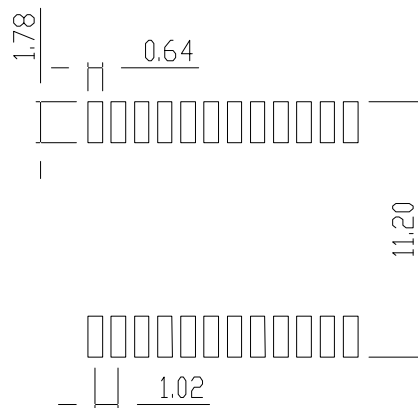
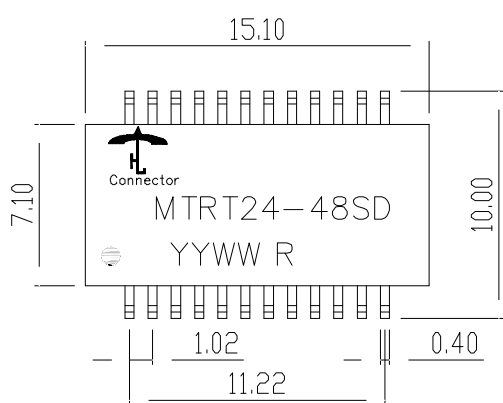
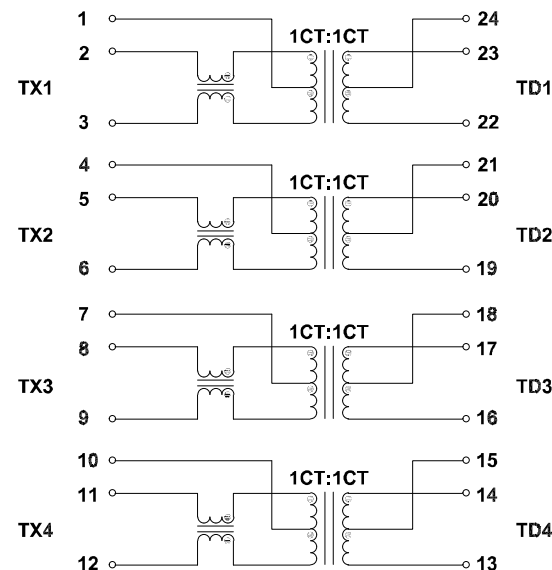
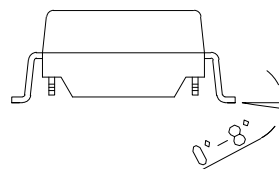
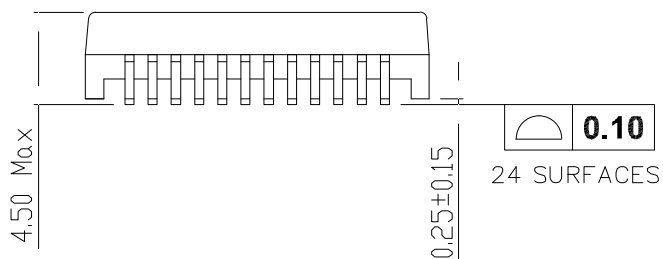


CATEGORY	DESCRIPTION	P/N #
CONNECTOR	2.5G SINGLE PORT	MTRT24-48SD

REV.	ECN NO	DESCRIPTION	REVISED	DATE
A01		NEW	WHQ	2022/12/19



SUGGESTED PAD LAYOUT



- Meets IEEE 802.3bz Standards.
- RoHS Compliant.
- 2.5G Base-T, Surface Mount Type, Open Header.
- Designed to meet reflow soldering 245°C peak requirement.
- Operating temperature range: 0°C to +70°C.
- Storage temperature range: -20°C TO +125°C.

Electrical Specifications @25°C

Part Number	OCL (uH Min) @100KHz, 100mV With 0mA DC Bias	Turns Ratio (±5%)	LK 100KHz 100mV (uH Max)	CAP (pF Max)	DCR (Ω Max)	Insertion Loss (dB Max)		
						1-150MHz		
RT2448SD	180uH	1CT:1CT	0.40	28	1.2	-1.5		
	Continue							
	Return Loss (dB Min)			CROSS TALK (dB Min)		COMR (dB Min)	HI-POT (Vrms)	
	1-40MHz	40.1-100MHz	100.1-150MHz	1.0-125MHz	125.1-200MHz	1.0-150MHz	1500V/1mA/2s	
-20	-14	-9.5	-30	-25	-30			

东莞市合陵电子有限公司
Connector DongGuan HeLing Electronic Co.,LTD.

UNLESS OTHERWISE SPECIFIED TOLERANCES	SCALE: 1/1	UNIT: mm	DWG NO.	
	SIZE: A4	PAGE: 1 OF 1	REV: A01	HL20220106001
DECIMALS: X :±0.5 X.X :±0.3 X.XX :±0.2	ANGLES: X :±2° X.X :±1°	APPROVED BY	CHECKED BY	PREPARED BY
		DICK	XSY	WHQ
CUSTOMER COPY				

X-ON Electronics

Largest Supplier of Electrical and Electronic Components

Click to view similar products for [Audio Transformers](#) / [Signal Transformers](#) category:

Click to view products by [Heling](#) manufacturer:

Other Similar products are found below :

[CU4S0506AT-2655-H1](#) [CX2041NLT](#) [MGPWT-00449-P](#) [PE-64961](#) [H5020FNLT](#) [H5077NLT](#) [1812WBT2-4](#) [1879479-1](#) [PA1528ANL](#)
[T1137NLT](#) [T3012NL](#) [PE-65812FNL](#) [PE-65848FNLT](#) [H5019EFNL](#) [CX2045ALNLT](#) [MET-14](#) [MGPWT-00059-P](#) [MGPWT-00266-P](#)
[MGPWT-00278-P](#) [MGPWT-00431-P](#) [TTC-100](#) [TTC-143-H](#) [TTC-5032-1](#) [4-1879391-0](#) [100213](#) [T1142NL](#) [HX5020FNLT](#) [HX5014FNLT](#)
[T1124NL](#) [1879732-1](#) [2-1879391-5](#) [B8846NL](#) [MABA-010321-CT1A42](#) [TX1341NL](#) [H0013FNL](#) [H5020FNL](#) [H2009FNLT](#) [H5004NLT](#) [X-](#)
[1619](#) [T5008NLT](#) [PE-68517T](#) [HX5084FNLT](#) [H5014FNLT](#) [TX1473NLT](#) [PE-69011NLT](#) [CX2043LNLT](#) [H7137FNLT](#) [H1259NLT](#) [LM-LP-](#)
[1005L](#) [H0013NLT](#)