

1.6 Cable Ties and Fixings

Clips and Clamps



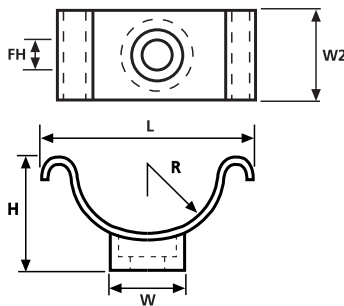
Cradle Clips

Features and Benefits

A simple, versatile method of bundling cables - the clamp consists of two parts, the "clip base" for mounting onto a panel, and the elasticated "loop". Suitable for pre-assembly, prototyping or applications requiring the addition or removal of cables. The loop is simply stretched over the clip offering a simple and quick method of containing cables.



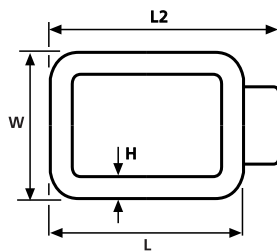
Cradle Clip.



Cradle Clip C1 - 3

Material Data

Material	Polyamide 6.6 (PA66)
Operating Temperature	-40 °C to +85 °C Continuous, (+105 °C for 500 h)
Flammability	UL94 V2



Retaining Ring R1 - 3

Material Data

Material	Flexible Polyvinyl Chloride, cadmium free (PVC)
Operating Temperature	-35 °C to +85 °C
Flammability	UL94 V2

Technical Table

Article-No.	Type	Length (L)	Length (L2)	Width (W)	Width (W2)	Height (H)	Radius (R)	Fixing Hole Ø (FH)	Material	Colour
201-10010	C1	25.0	-	12.7	15.5	14.0	6.3	4.8	PA66	Black (BK)
201-10020	C2	35.0	-	12.7	15.5	18.0	11.0	4.8	PA66	Black (BK)
201-10030	C3	48.0	-	12.7	15.5	25.0	17.5	4.8	PA66	Black (BK)
201-20010	R1	16.0	22.0	23.8	-	3.2	-	-	PVC	Black (BK)
201-20020	R2	22.0	29.0	23.8	-	3.2	-	-	PVC	Black (BK)
201-20030	R3	33.0	39.0	23.8	-	3.2	-	-	PVC	Black (BK)

All dimensions in mm. Subject to technical changes.

X-ON Electronics

Largest Supplier of Electrical and Electronic Components

Click to view similar products for [Power Outlet Strips](#) category:

Click to view products by [Hellermann](#) manufacturer:

Other Similar products are found below :

[G20IG606](#) [1301430288](#) [1301530208](#) [1302100069](#) [1301430321](#) [1301530054](#) [1447B163](#) [1585T16A1RA](#) [UL602CB-6](#) [UL7408-6](#) [ULHC4-15](#)
[V20IG606](#) [UL2063BD](#) [TSB](#) [1301530203](#) [4748.03](#) [4309](#) [UL7208-15](#) [3083](#) [3050F](#) [3090](#) [1301530132](#) [1301530117](#) [1301530164](#) [1301530050](#)
[1301530141](#) [1301430252](#) [1301530179](#) [1301530065](#) [1301350158](#) [1301530052](#) [1301530068](#) [1301530120](#) [HB0B1L4BT08W1](#)
[VB0D2B2BM30P1](#) [HA0A1D0CA10E1](#) [HA0A1M2CM10E1](#) [HA1A1D0CA10E1](#) [VB0B1L2BN24H1](#) [PN1A1C0BA10E1](#) [HA0B1E0CA1081](#)
[HA0D2U0CA1081](#) [HA0D2A0CA1081](#) [HA1D2U0CA1081](#) [HA1D2A0CA1081](#) [HB1B2J0AA10M1](#) [LZ1D2A0FA0AJ1](#) [LZ1D2P0FA0AL1](#)
[VB0B1L4CN48M1](#) [MA002](#)