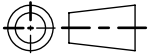
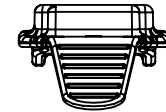
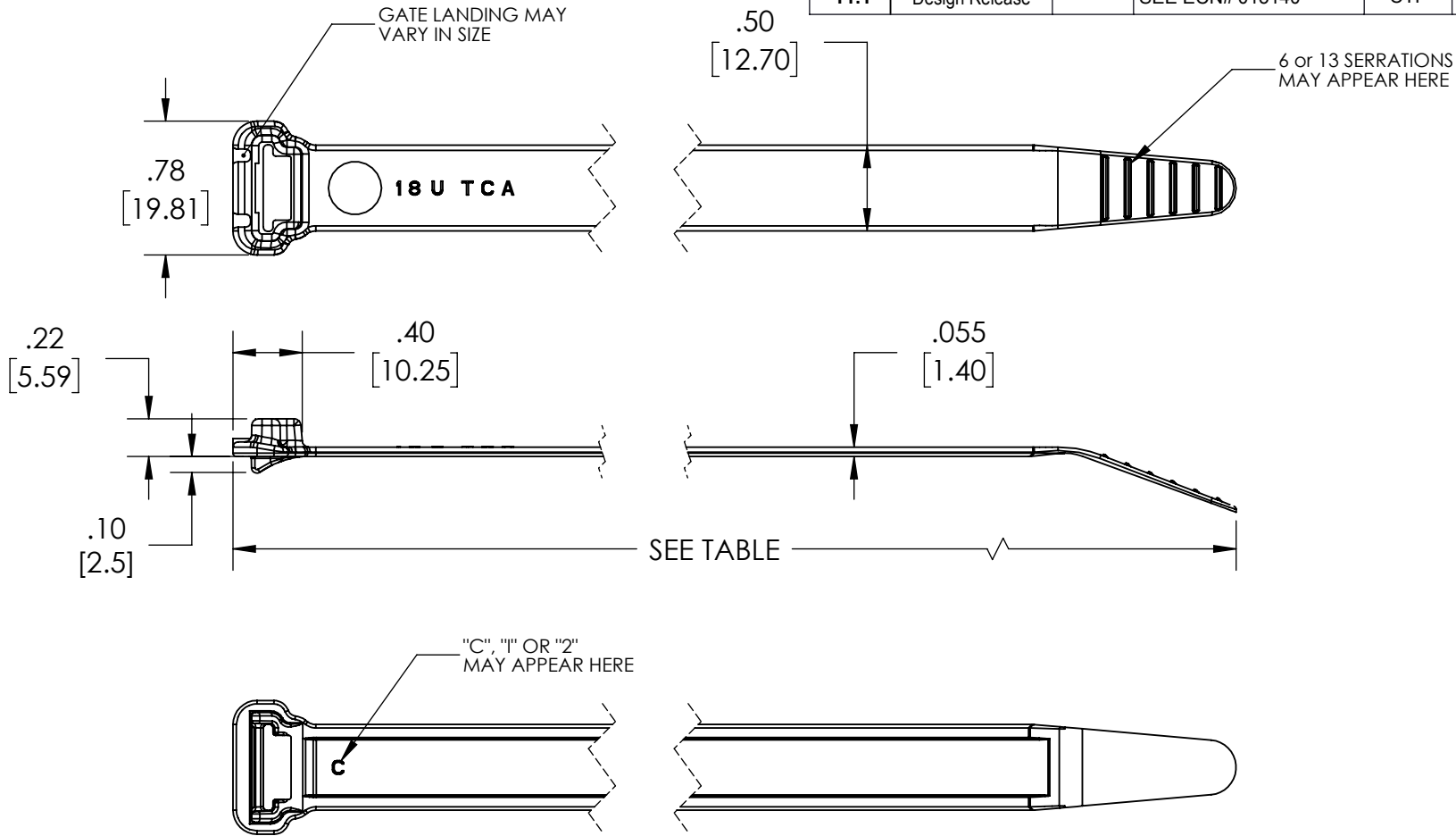


SW



Revision level			Revision Record	Changed	Date	Approved	Date
Drawing	State	Part					
11.1	Design Release	-	SEE ECN# 015140	CTF	06/21/2019	GAL	06/21/2019



FEATURES:

- WIDE STRAP TO MINIMIZE PINCHING OF SOFT HOSES AND CONVOLUTED TUBING
- LOW PROFILE HEAD
- CLAMPING RAILS TO INCREASE CIRCUMFERENTIAL GRIP ON ROUND BUNDLES
- WIDE VARIATIONS OF BUNDLE DIAMETERS .375 MINIMUM - MAXIMUM (SEE TABLE)
- THIN/FLEXIBLE STRAP TIGHTENS EASILY ON SMALLER BUNDLE DIAMETERS
- 120LBF MIN LOOP TENSILE STRENGTH
- COMPATIBLE WITH THE EQUIPMENT MOUNTS

TYPE	OVERALL LENGTH ±0.3 in.	MAX BUNDLE DIA
WSS	9.1 [231]	2.25 [57.2]
WSI	12.1 [307]	3.25 [82.6]
WSR	15.1 [383]	4.125 [104.8]

Material
PA66HIRHSUV
 COLOR: BLACK
PA46
 COLOR: BROWN



Units: **inches**
 Dimension without tolerances details to:
 .xxxx = ±.0005
 .xxx = ±.005
 .xx = ±.01
 .x = ±.03
 None = ±.06
 ∠ = ±0.5°
 Dimension Formatted in [mm]

The copyright of this drawing is reserved by HellermannTyton. It is issued on condition that it is not reproduced, copied, or disclosed to a third party, either wholly or in part, without the consent of HellermannTyton.

Drawn: GGG 08/29/02
 Approved: KAC 08/29/02

HellermannTyton
 North America
 Email: corp@htamericas.com
 Web: www.hellermann.tyton.com

Article/Type-No	SEE CHART	Scale	1:1
Title	T120 WIDE STRAP NON-RELEASABLE	Project Number	PRP 2127004
Drawing-No	Production : Phase	Format	AH
CT2127004CST		Sheet	1/1

X-ON Electronics

Largest Supplier of Electrical and Electronic Components

Click to view similar products for [Cable Ties](#) category:

Click to view products by [HellermannTyton](#) manufacturer:

Other Similar products are found below :

[65034-C](#) [65037-C](#) [770-1751-10](#) [20093-0](#) [SF600-120X](#) [SJ-3463](#) [SJ3518FR-1x50](#) [SJ3571](#) [SJ-3571-1"x50yd-Black](#) [PLT2S-C4](#) [34-455-C](#) [3722](#)
[561-B110120](#) [34-463-C](#) [URT20S-M](#) [06226](#) [08350-0](#) [08600-0](#) [08376-0](#) [10036-0](#) [10037-0](#) [10325-0](#) [10362-0](#) [10606-0](#) [1122-4JW8](#) [561-](#)
[EZ250](#) [561-EZ625](#) [SJ3519FR BLACK 1X50](#) [SJ3527N-Beige-2"x50yd](#) [SJ3527N-LOOP-BLACK-1](#) [SJ3572-2"x50yd-Black](#) [CF5625-000](#)
[V03HK](#) [65004-C](#) [65005-C](#) [65036-C](#) [157-00039](#) [770-1708](#) [770-1753-10](#) [65035-C](#) [770-1752](#) [SPNY-041-9](#) [3719](#) [08582-0](#) [08386-0](#) [10431-0](#)
[08359-0](#) [10620-0](#) [10345-0](#) [08416-0](#)