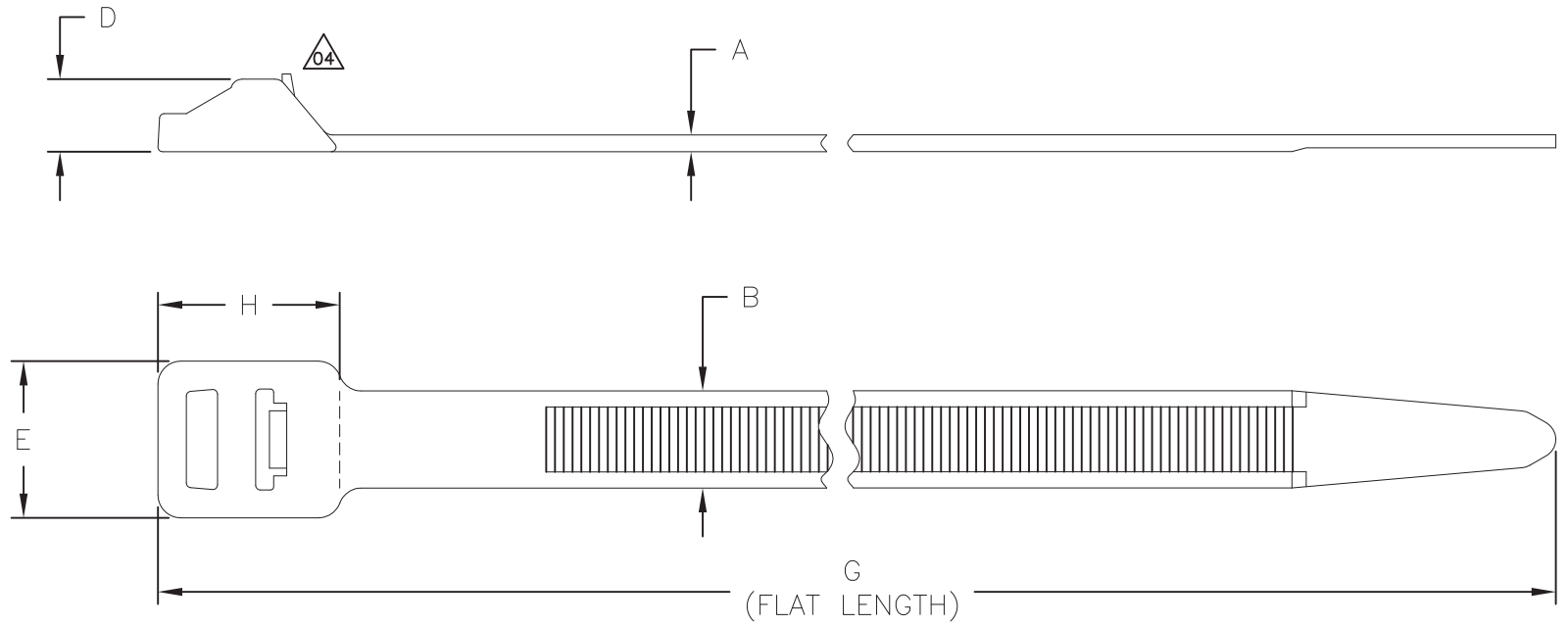


| | | | | | | |
|----------------|---------|-----------------|---------|------|----------|------|
| Revision level | | Revision Record | Changed | Date | Approved | Date |
| part | drawing | | | | | |
| — | 04 | | | | | |



PRODUCT CODE DESCRIPTION

RT250R_UV
 COLOR
 (CONSULT FACTORY FOR AVAILABLE COLORS)

| Aerospace Spec Tie SAE AS33671 | Product Code | Cable Range (mm) | Material | A | B | D | E | G | H | Min Loop Tensile Strength (newtons) |
|-----------------------------------|--------------|------------------|----------|----------|----------|----------|-----------|------------|-----------|-------------------------------------|
| no | RT250R_ | 12 to 125 | PA66 | 1.9 ±0.2 | 12.5±0.2 | 9.5 ±0.5 | 20.0 ±0.5 | 515.0 ±5.0 | 22.4 ±1.0 | 1115 |
| no | RT250R_HIR | | PA66HIR | | | | | | | |
| no | RT250R_UV | | PA66UV | | | | | | | |

SEE CHART

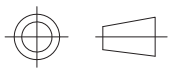
Material

Dimension tolerances unless otherwise specified
 .XXX =
 .XXX =
 .XX =
 .X = ± NOTED
 < =

Dimension Units mm

PERFORMANCE SPECIFICATION

ACAD MECH
2010



Drawn A.A.M. 12/12/00
 Approved K.A.C. 04/22/11

Scale 1:1
 Computer File Number CT\CST\2250004_04

ALL PROPRIETARY RIGHTS IN THE SUBJECT MATTER SHOWN ON THIS DRAWING ARE EXCLUSIVE PROPERTY OF HELLERMANN TYTON

HellermannTyton

7930 N. Faulkner Rd.
 Milwaukee, WI 53224
 Ph: (414) 355-1130
 Fx: (414) 362-8338

RT250R
 HEAVY DUTY LASHING
 RELEASABLE CABLE TIE

Drawing-No **CT2250004CST**
 Format AH
 Sheet 1 of 1

X-ON Electronics

Largest Supplier of Electrical and Electronic Components

Click to view similar products for [Cable Ties](#) category:

Click to view products by [HellermannTyton](#) manufacturer:

Other Similar products are found below :

[65034-C](#) [65037-C](#) [770-1751-10](#) [REL50L0C2](#) [20093-0](#) [SF600-120X](#) [SJ-3463](#) [SJ3518FR-1x50](#) [SJ3526N-Beige-2"x50yd](#) [SJ3571](#) [PLT2S-C4](#)
[34-455-C](#) [3722](#) [561-B110120](#) [561-N3510](#) [TYZ528M](#) [34-463-C](#) [URT20S-M](#) [06226](#) [08350-0](#) [08600-0](#) [08376-0](#) [10036-0](#) [10037-0](#) [10325-0](#)
[10362-0](#) [10606-0](#) [1122-4JW8](#) [561-EZ250](#) [561-EZ625](#) [SJ3527N-Beige-2"x50yd](#) [SJ3527N-LOOP-BLACK-1](#) [SJ3572-2"x50yd-Black](#) [CF5625-](#)
[000](#) [V03HK](#) [65004-C](#) [65005-C](#) [65007-C](#) [65036-C](#) [157-00039](#) [770-1708](#) [770-1753-10](#) [65035-C](#) [770-1752](#) [SPNY-041-9](#) [SF400-120X](#) [3719](#)
[08582-0](#) [08386-0](#) [10431-0](#)