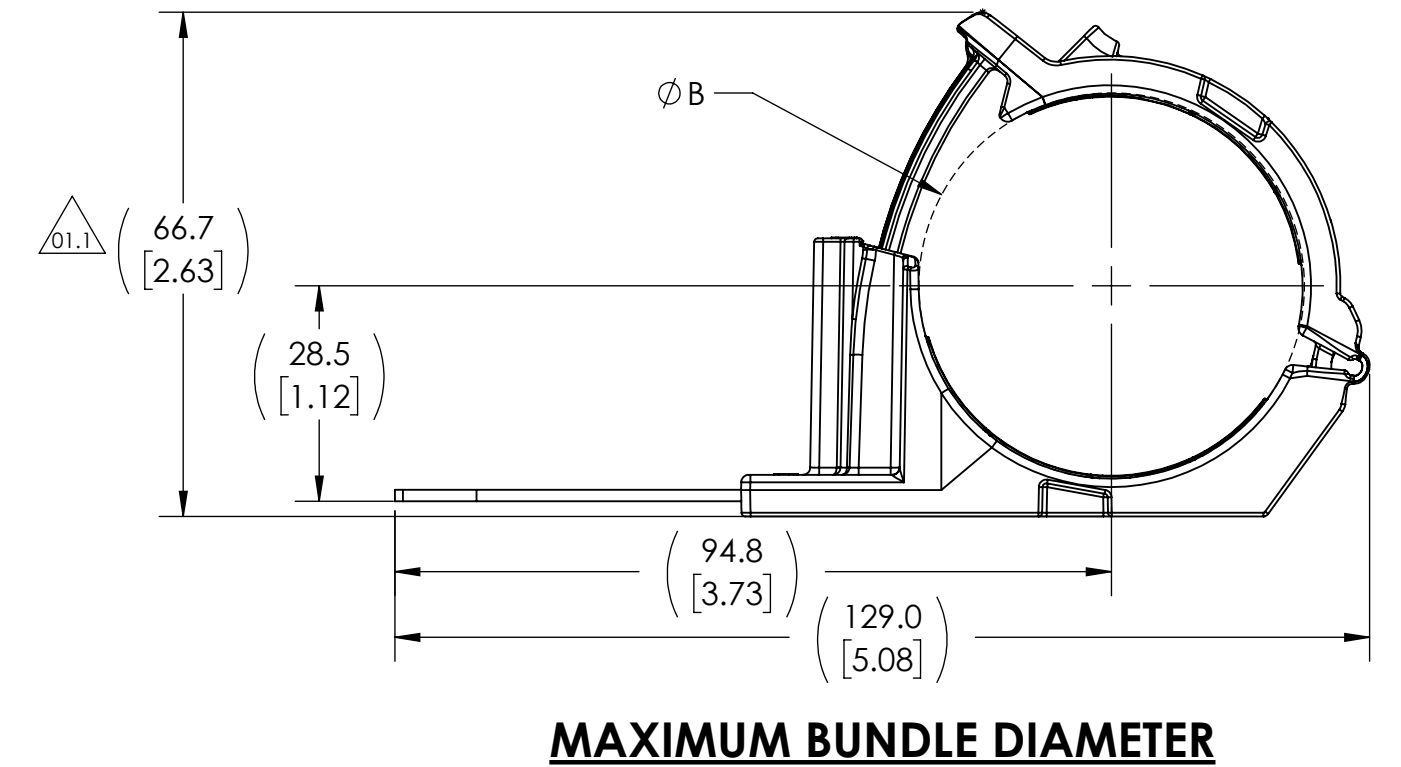
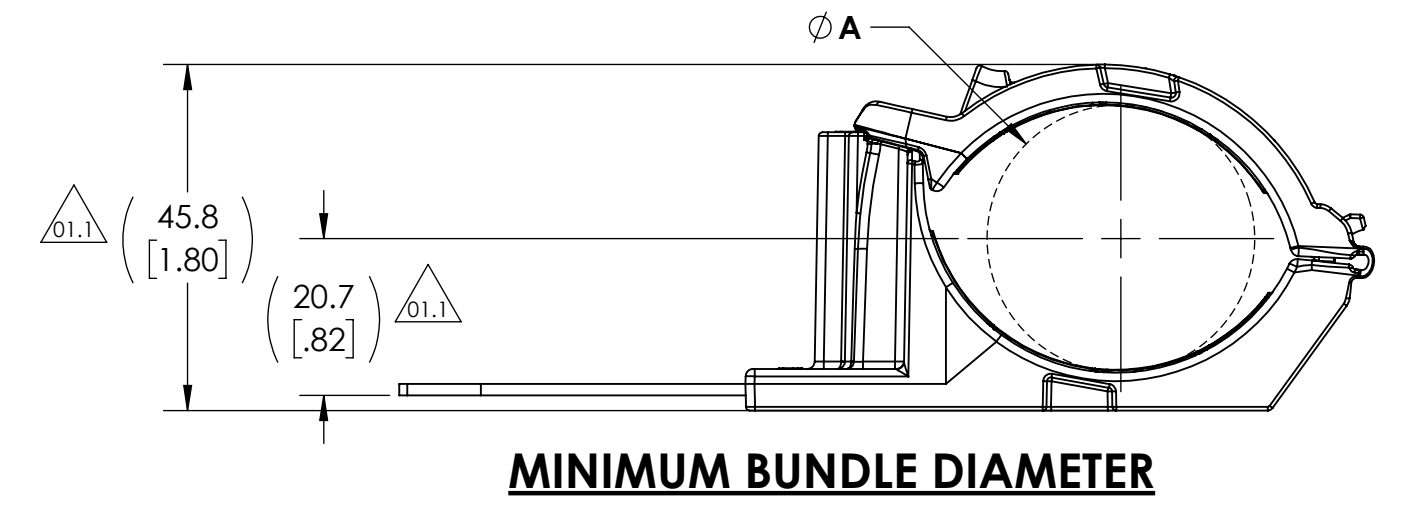
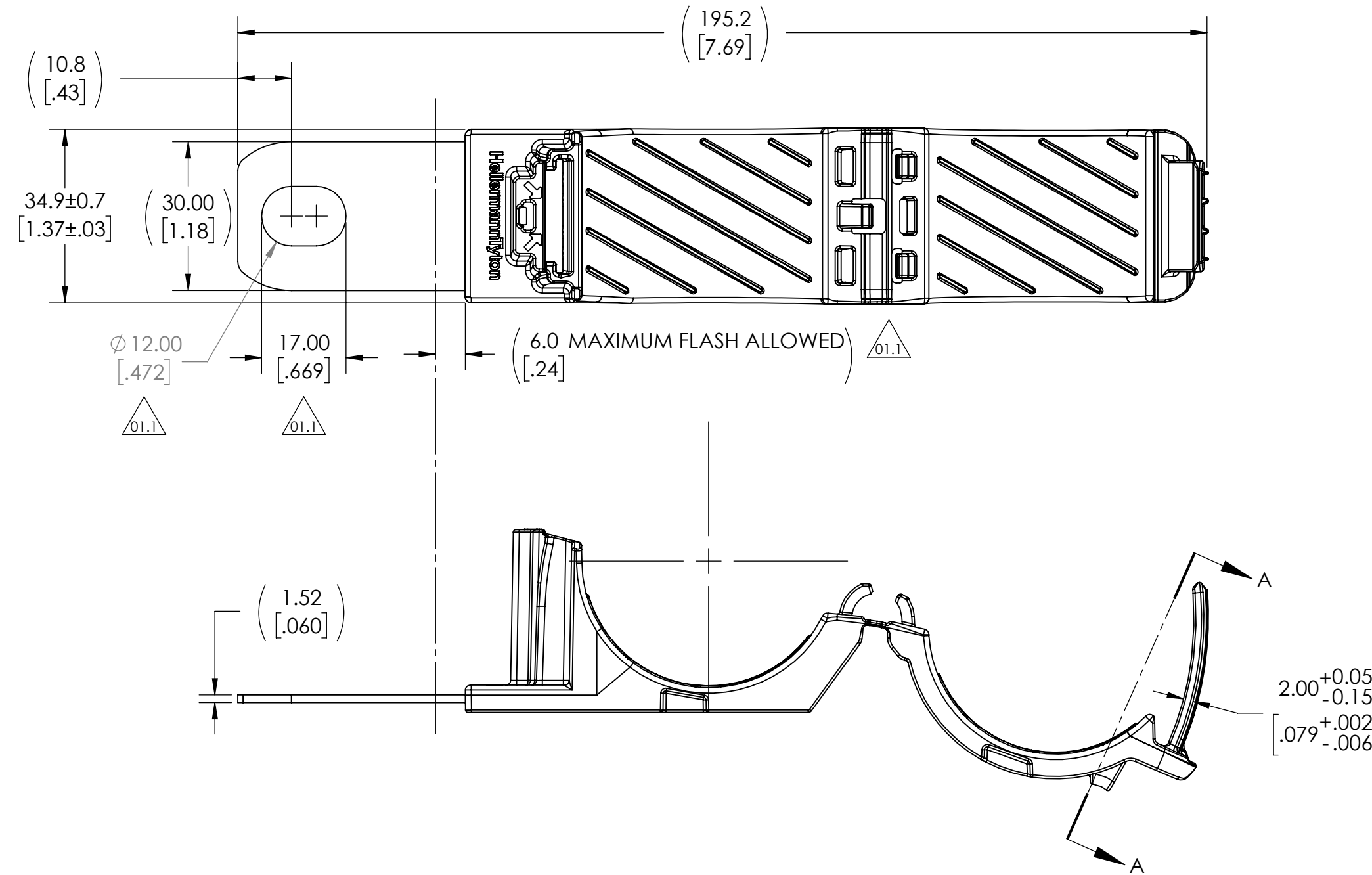
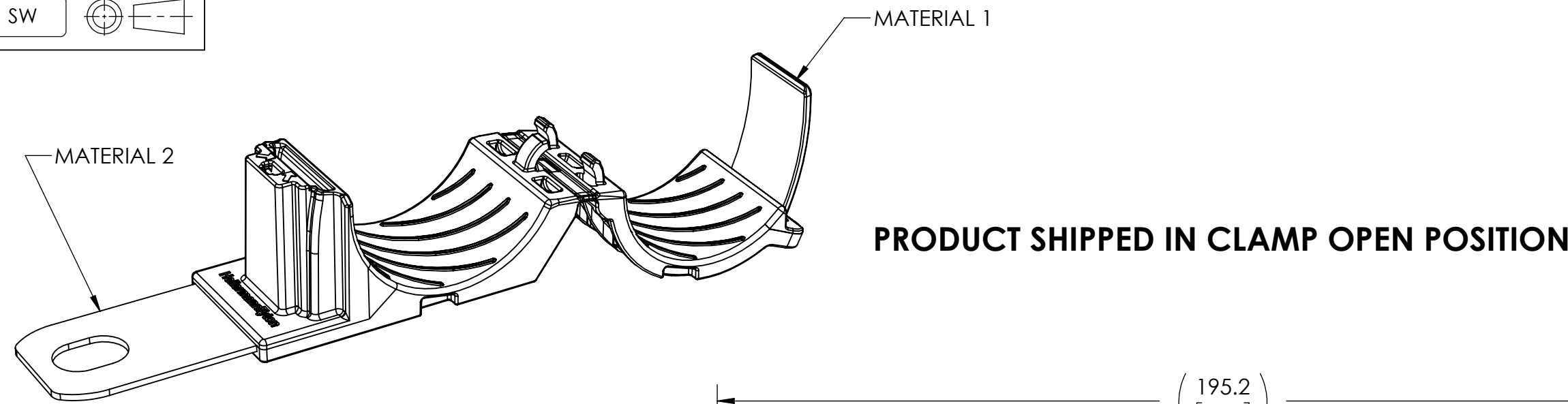


Revision level			Revision Record	Changed	Date	Approved	Date
Drawing	State	Part					
01.1	Design Release	-	SEE ECN# 014835	CTF	01/07/2019	MHT	01/07/2019

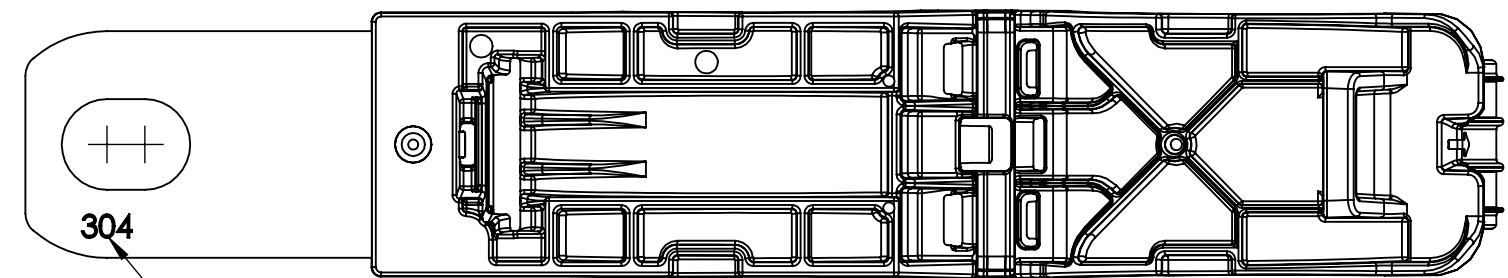


**INITIAL MOLD VALIDATION:**  
 DRY AS MOLDED WITH ≤ 0.5% MOISTURE CONTENT:

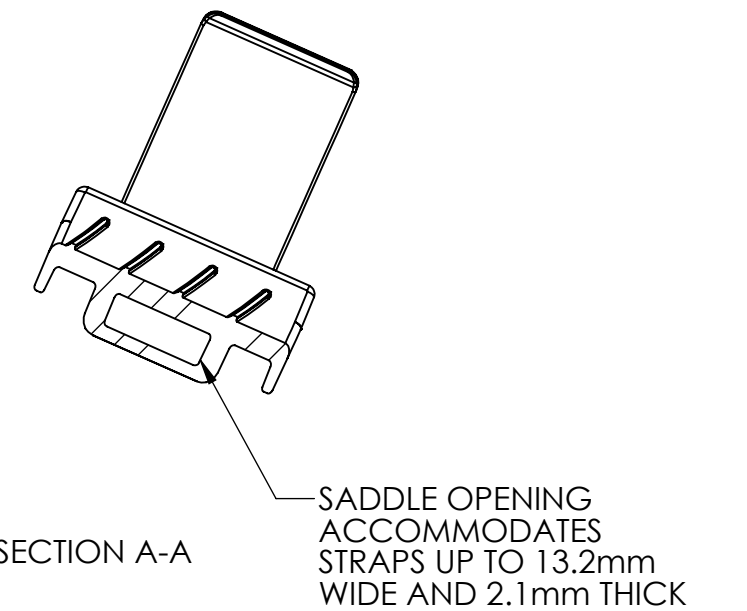
- ITS-0003 RATCHET CLAMP SOLID MANDREL TEST:**  
 EXCEEDED 445 NEWTONS (100 LBS) MIN AT A NOMINAL BUNDLE DIAMETER OF 44.45 [1.750]
- ITS-0008 RATCHET CLAMP CLOSE AND RELEASE TEST:**  
 EXCEEDED 445 NEWTONS (100 LBS) MIN AT A NOMINAL BUNDLE DIAMETER OF 44.45 [1.750] AFTER CLOSING AND RELEASING 40 TIMES
- ITS-0014 RATCHET CLAMP LOW TEMPERATURE HINGE TEST:**  
 NO DAMAGE OCCURRED AFTER BENDING LIVING HINGE 40 TIMES AT -40°C

**PERFORMANCE REQUIREMENTS:**  
 DRY AS MOLDED WITH ≤ 0.5% MOISTURE CONTENT:

- ITS-0001 RATCHET CLAMP SPLIT MANDREL TEST:**  
 445 NEWTONS (100 LBS) MIN AT A NOMINAL BUNDLE DIAMETER OF 44.45 [1.750]
- MAXIMUM PERCENT REGRIND PERMISSIBLE: 25%**
- MAXIMUM ALLOWABLE FLASH TO BE: 0.25mm**
- MAXIMUM ALLOWABLE MISMATCH TO BE 0.24mm**



"304" STAINLESS DESIGNATION MAY APPEAR ON EITHER SIDE OF THE STAMPING



BUNDLE TYPES	A MINIMUM DIAMETER	B MAXIMUM DIAMETER
SOFT	36.0 [1.42]	51.0 [2.00]
HARD	35.2 [1.39]	49.9 [1.96]

Notes	Material 1. PA66HIRHSUV 2. STAINLESS STEEL	Units: millimeters Dimension without tolerances details to: .xxx = ±.013 .xx = ±.13 .x = ±.3 None = ±.8 < = ±0.5*	The copyright of this drawing is reserved by HellermannTyton. It is issued on condition that it is not reproduced, copied, or disclosed to a third party, either wholly or in part, without the consent of HellermannTyton.	Drawn	CTF	10/11/17	Article/Type-No RCD180XM12X17SS	Scale 1:1
				Approved	MHT	10/11/17		
				HellermannTyton North America Email: corp@htamericas.com Web: www.hellermann.tyton.com		Drawing-No 17-2122-104-CSU		Format C
						PRODUCTION: Phase		Sheet 1/1

## X-ON Electronics

Largest Supplier of Electrical and Electronic Components

*Click to view similar products for [Cable Mounting & Accessories](#) category:*

*Click to view products by [HellermannTyton](#) manufacturer:*

Other Similar products are found below :

[8945](#) [8950](#) [8961](#) [582603-1](#) [009333-000](#) [CXA-0069](#) [D-150-0175CS2902](#) [70.060.1628.0](#) [727844N003](#) [770-1102](#) [770-1204](#) [770-1205-10](#)  
[770-1301-10](#) [770-1306](#) [770-1422](#) [770-1602](#) [770-1603](#) [770-1604](#) [770-1607](#) [790-1002](#) [809090N001](#) [843188-000](#) [843459N001](#) [8666](#)  
[PVC10512-BLACK-500](#) [PVC1056-BLACK-500](#) [DB-11](#) [1301800416](#) [1302030548](#) [1302264450](#) [1300830184](#) [1300830729](#) [1300900039](#)  
[1301580036](#) [1301850553](#) [1301860900](#) [1301860939](#) [1302000074](#) [1302261315](#) [1302264431](#) [APA18-AK](#) [MSK-0001](#) [1-787307-1](#) [1868](#) [C-](#)  
[202-C](#) [202C221-13-0](#) [CA7308-000](#) [229408-1](#) [KC-201](#) [8949](#)