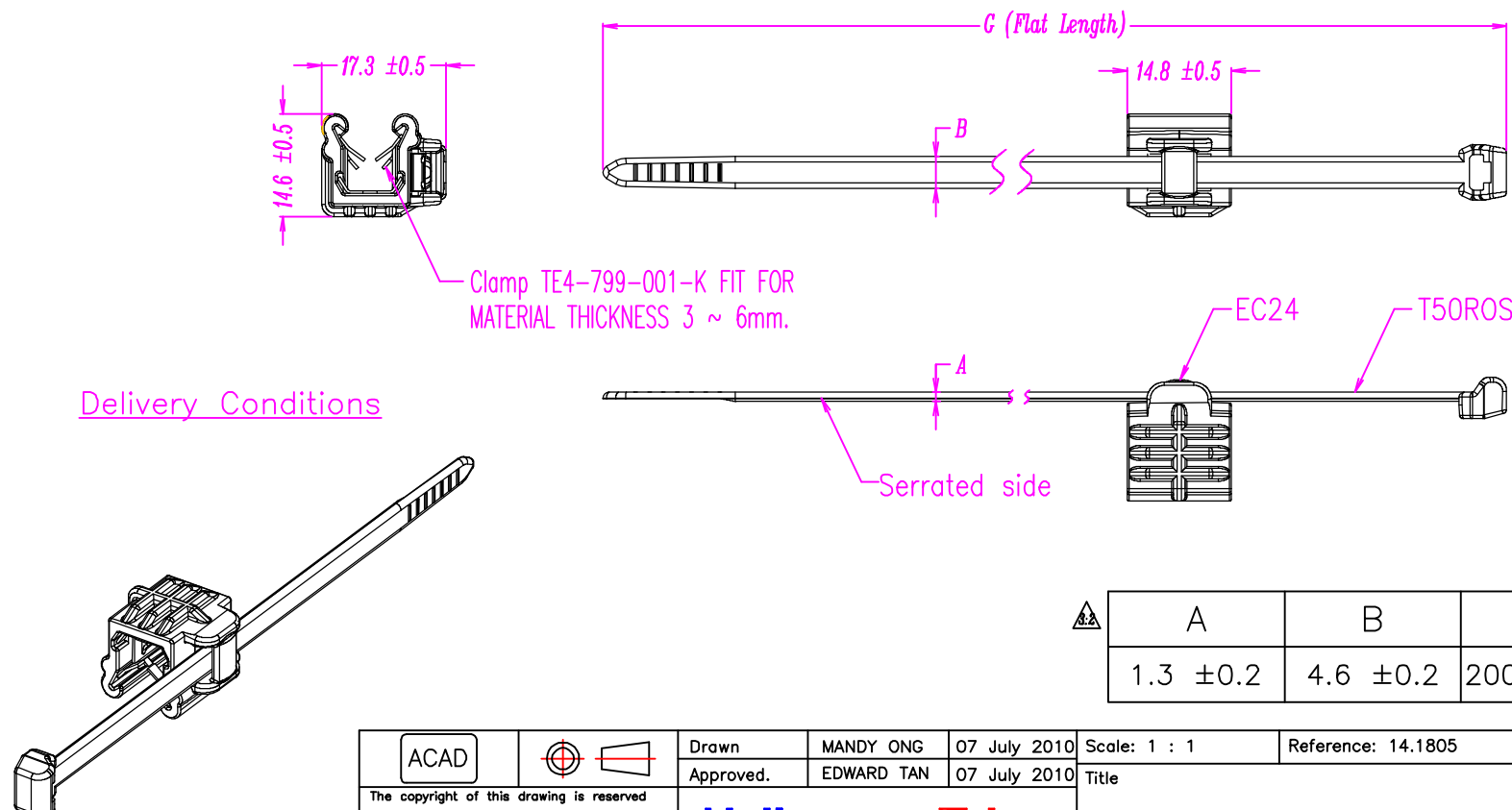


Revision Level		Revision Record	Changed	Date	Approval	Date
Part	Drawing					
	①	Dimensioning error correction for 14.6 ±0.5.	Mandy Ong	27-Feb-12	Edward Tan	27-Feb-12
	②	Change delivery condition and update tie orientation.	Mandy Ong	26-April-12	Edward Tan	26-April-12
	③	Updated pictogramme and drawing template.	SIMON NG	30-May-19	Edward Tan	30-May-19
	④	Added HT Global project Number.	SIMON NG	30-May-19	Edward Tan	30-May-19
	⑤	Added cable tie dimensions chart.	SIMON NG	30-May-19	Edward Tan	30-May-19



⑤	A	B	G
	1.3 ±0.2	4.6 ±0.2	200.0 ±5.0

Material	P.A. 66
Tensile strength	225N (Minimum)
PERFORMANCE SPECIFICATION	

ACAD		Drawn	MANDY ONG	07 July 2010	Scale: 1 : 1	Reference: 14.1805
The copyright of this drawing is reserved by HELLERMANN TYTON. It is issued on condition that it is not reproduced, copied or disclosed to a third party, either wholly or in part, without the consent of HELLERMANN TYTON.		Approved.	EDWARD TAN	07 July 2010	Title	
		HellermannTyton		T50ROSEC24		
		545, Yishun Industrial Park A Yishun Avenue 7 Singapore 768741 Tel: (+65) 6852 8585 Fax: (+65) 6756 6798		Drawing-No [SG1000B-03]		
				04-0832-001-CSH ⑤		Format A4 Sheet 1 of 1

Uncontrolled Document

X-ON Electronics

Largest Supplier of Electrical and Electronic Components

Click to view similar products for [Cable Ties](#) category:

Click to view products by [HellermannTyton](#) manufacturer:

Other Similar products are found below :

[65034-C](#) [65037-C](#) [770-1751-10](#) [REL50L0C2](#) [20093-0](#) [SF600-120X](#) [SJ-3463](#) [SJ3518FR-1x50](#) [SJ3526N-Beige-2"x50yd](#) [SJ3571](#) [PLT2S-C4](#)
[34-455-C](#) [3722](#) [561-B110120](#) [561-N3510](#) [TYZ528M](#) [34-463-C](#) [URT20S-M](#) [06226](#) [08350-0](#) [08600-0](#) [08376-0](#) [10036-0](#) [10037-0](#) [10325-0](#)
[10362-0](#) [10606-0](#) [1122-4JW8](#) [561-EZ250](#) [561-EZ625](#) [SJ3519FR BLACK 1X50](#) [SJ3527N-Beige-2"x50yd](#) [SJ3527N-LOOP-BLACK-1](#)
[SJ3572-2"x50yd-Black](#) [CF5625-000](#) [V03HK](#) [65004-C](#) [65005-C](#) [65007-C](#) [65036-C](#) [157-00039](#) [770-1708](#) [770-1753-10](#) [65035-C](#) [770-1752](#)
[SPNY-041-9](#) [SF400-120X](#) [3719](#) [08582-0](#) [08386-0](#)