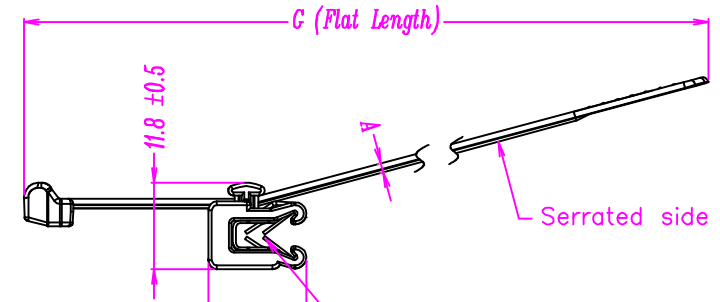
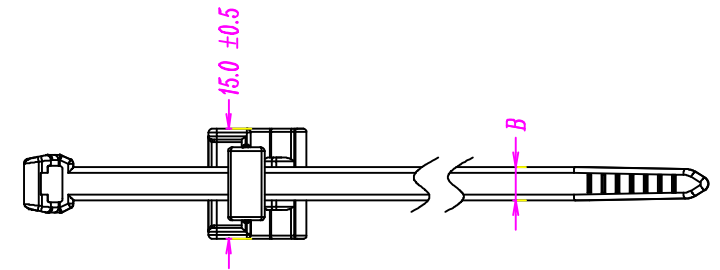
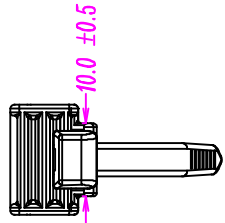
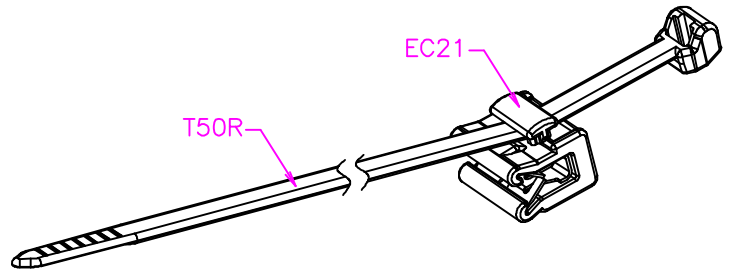


Revision Level		Revision Record	Changed	Date	Approval	Date
Part	Drawing					
	①	Changed drawing Layout.	SIMON NG	02-Mar-18	Edward Tan	02-Mar-18
	②	Added HT Global project Number.	SIMON NG	27-May-19	Edward Tan	27-May-19
	③	Change dimension layout.	SIMON NG	27-May-19	Edward Tan	27-May-19



Delivery Conditions



Clamp TE4-511-000-K FIT FOR MATERIAL THICKNESS 1 ~ 3mm.

A	B	G
1.3 ±0.2	4.6 ±0.2	200 ±5.0

Material	P.A. 66
Tensile strength	225N (Minimum)
PERFORMANCE SPECIFICATION	

 The copyright of this drawing is reserved by HELLERMANN TYTON. It is issued on condition that it is not reproduced, copied or disclosed to a third party, either wholly or in part, without the consent of HELLERMANN TYTON.		Drawn	MANDY TAN	14 Nov 2011	Scale: 1 : 1	Reference: 14.1821
		Approved.	EDWARD TAN	14 Nov 2011	Title	T50ROSEC21
 545, Yishun Industrial Park A Yishun Avenue 7 Singapore 768741 Tel: (+65) 6852 8585 Fax: (+65) 6756 6798		Drawing-No [SG11026-02]		04-0813-001-CSH ②		Format A4 Sheet 1 of 1

Uncontrolled Document

## X-ON Electronics

Largest Supplier of Electrical and Electronic Components

*Click to view similar products for [Cable Ties](#) category:*

*Click to view products by [HellermannTyton](#) manufacturer:*

Other Similar products are found below :

[65034-C](#) [65037-C](#) [770-1751-10](#) [REL50L0C2](#) [20093-0](#) [SF600-120X](#) [SJ-3463](#) [SJ3518FR-1x50](#) [SJ3526N-Beige-2"x50yd](#) [SJ3571](#) [PLT2S-C4](#)  
[34-455-C](#) [3722](#) [561-B110120](#) [561-N3510](#) [TYZ528M](#) [34-463-C](#) [URT20S-M](#) [06226](#) [08350-0](#) [08600-0](#) [08376-0](#) [10036-0](#) [10037-0](#) [10325-0](#)  
[10362-0](#) [10606-0](#) [1122-4JW8](#) [561-EZ250](#) [561-EZ625](#) [SJ3527N-Beige-2"x50yd](#) [SJ3527N-LOOP-BLACK-1](#) [SJ3572-2"x50yd-Black](#) [CF5625-](#)  
[000](#) [V03HK](#) [65004-C](#) [65005-C](#) [65007-C](#) [65036-C](#) [157-00039](#) [770-1708](#) [770-1753-10](#) [65035-C](#) [770-1752](#) [SPNY-041-9](#) [SF400-120X](#) [3719](#)  
[08582-0](#) [08386-0](#) [10431-0](#)