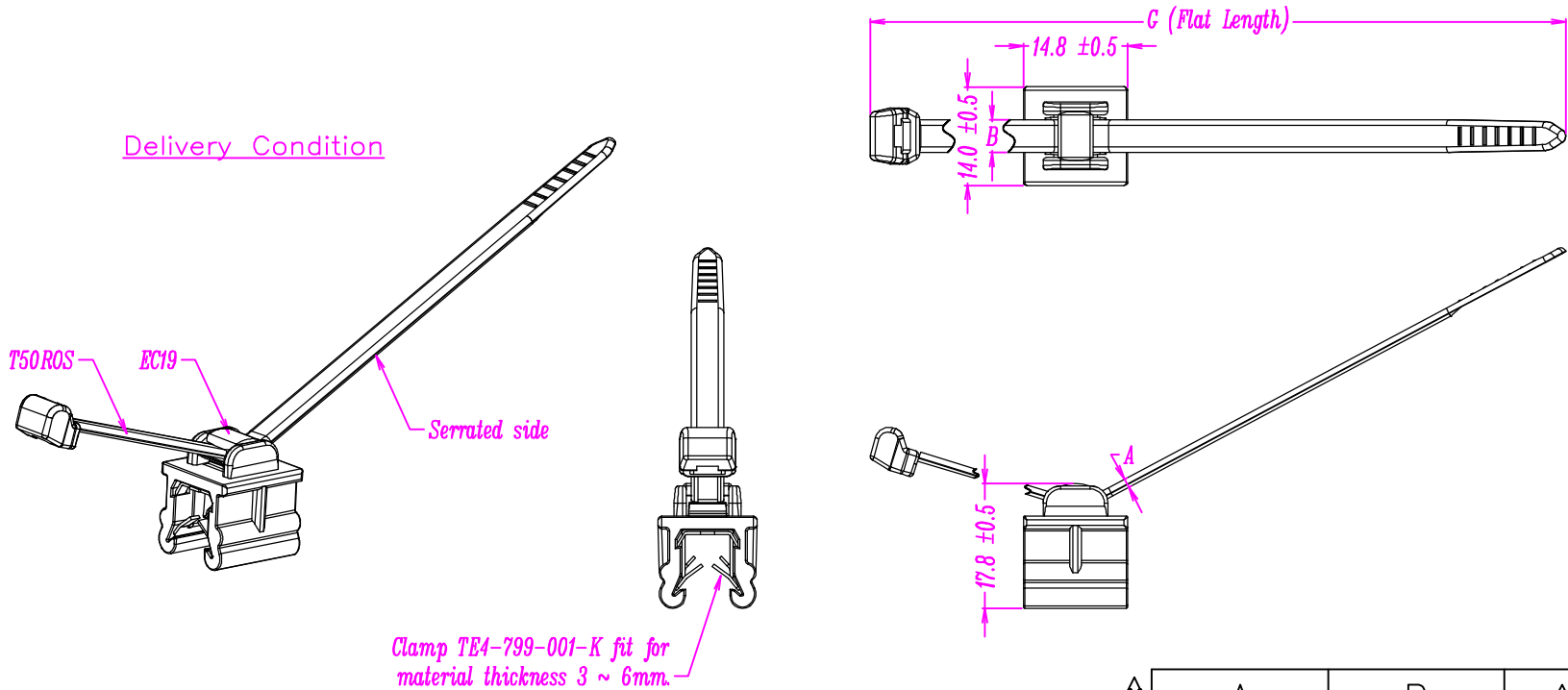


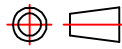
Revision Level		Revision Record	Changed	Date	Approval	Date
Part	Drawing					
	①	Change flat length dimension and tolerances from 202.0 ±11.0 to 200 ±5.0mm.	SIMON NG	25-Feb-14	Edward Tan	25-Feb-14
	②	Updated pictogramme and drawing template.	SIMON NG	19-Sep-19	Edward Tan	19-Sep-19
	②A	Added HT Global project Number.	SIMON NG	19-Sep-19	Edward Tan	19-Sep-19
	②A	Added cable tie dimensions chart	SIMON NG	19-Sep-19	Edward Tan	19-Sep-19

Delivery Condition



Material	P.A. 66
Tensile strength	225N (Minimum)
PERFORMANCE SPECIFICATION	

ACAD



The copyright of this drawing is reserved by HELLERMANN TYTON. It is issued on condition that it is not reproduced, copied or disclosed to a third party, either wholly or in part, without the consent of HELLERMANN TYTON.

Drawn Mandy Ong 11 May 2011
 Approved. EDWARD TAN 11 May 2011

HellermannTyton

545, Yishun Industrial Park A
 Yishun Avenue 7
 Singapore 768741
 Tel: (+65) 6852 8585
 Fax: (+65) 6756 6798

Scale: 1 : 1 Reference: 14.1802

Title T50ROSEC19

Drawing-No [SG12004-02]

02-0416-003-CSH ②A

Format A4
 Sheet 1 of 1

Uncontrolled Document

X-ON Electronics

Largest Supplier of Electrical and Electronic Components

Click to view similar products for [Cable Ties](#) category:

Click to view products by [HellermannTyton](#) manufacturer:

Other Similar products are found below :

[65034-C](#) [65037-C](#) [770-1751-10](#) [REL50L0C2](#) [20093-0](#) [SF600-120X](#) [SJ-3463](#) [SJ3518FR-1x50](#) [SJ3526N-Beige-2"x50yd](#) [SJ3571](#) [PLT2S-C4](#)
[34-455-C](#) [3722](#) [561-B110120](#) [561-N3510](#) [TYZ528M](#) [34-463-C](#) [URT20S-M](#) [06226](#) [08350-0](#) [08600-0](#) [08376-0](#) [10036-0](#) [10037-0](#) [10325-0](#)
[10362-0](#) [10606-0](#) [1122-4JW8](#) [561-EZ250](#) [561-EZ625](#) [SJ3527N-Beige-2"x50yd](#) [SJ3527N-LOOP-BLACK-1](#) [SJ3572-2"x50yd-Black](#) [CF5625-](#)
[000](#) [V03HK](#) [65004-C](#) [65005-C](#) [65007-C](#) [65036-C](#) [157-00039](#) [770-1708](#) [770-1753-10](#) [65035-C](#) [770-1752](#) [SPNY-041-9](#) [SF400-120X](#) [3719](#)
[08582-0](#) [08386-0](#) [10431-0](#)