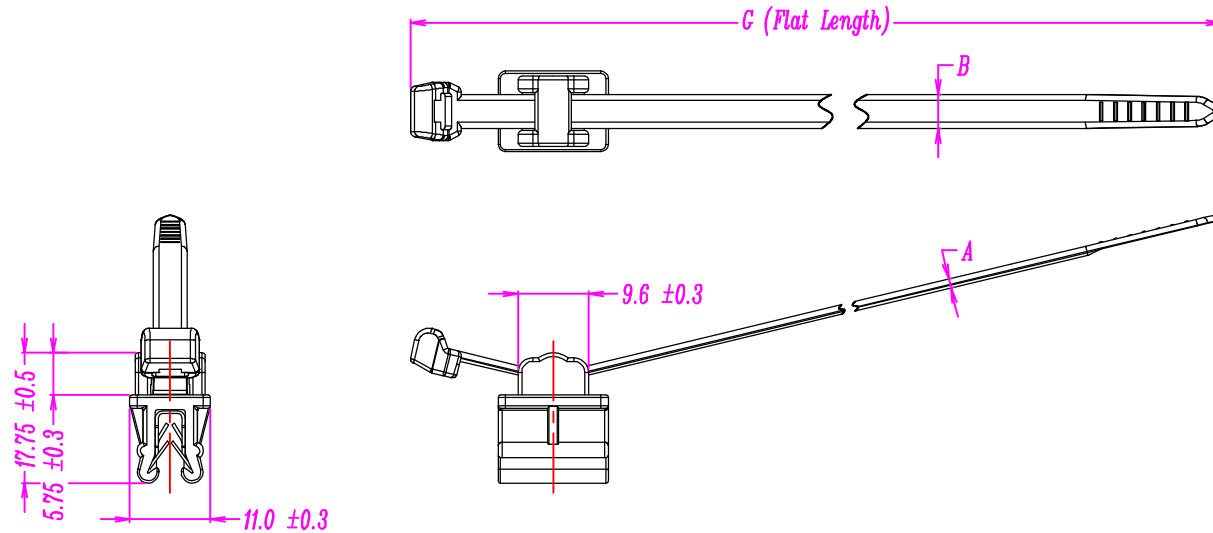
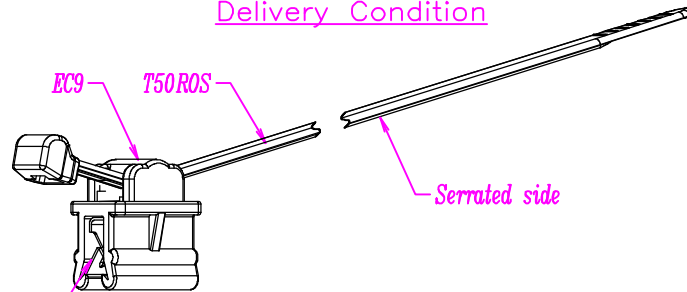


Revision Level		Revision Record	Changed	Date	Approval	Date
Part	Drawing					
	①	Correct Title from T50R0SEC4 to T50R0SEC9 due to typo error.	SIMON NG	11-Nov-14	Edward Tan	11-Nov-14
	②	Updated pictogramme and drawing template.	SIMON NG	12-Sep-19	Edward Tan	12-Sep-19
	③	Added HT Global project Number.	SIMON NG	12-Sep-19	Edward Tan	12-Sep-19



Delivery Condition



A	B	G
1.3 ±0.2	4.6 ±0.2	200.0 ±5.0

Clamp TE4-511-000-K fit for material thickness 1 ~ 3mm.

Bundle ϕ Max. $\phi 45\text{mm}$
Material P.A. 66
Tensile strength 225N (Minimum)
PERFORMANCE SPECIFICATION

ACAD		Drawn Simon Ng 16 May 2014	Approved. EDWARD TAN 16 May 2014	Scale: 1 : 1	Reference: 14.1682
The copyright of this drawing is reserved by HELLERMANN TYTON. It is issued on condition that it is not reproduced, copied or disclosed to a third party, either wholly or in part, without the consent of HELLERMANN TYTON.		HellermannTyton 545, Yishun Industrial Park A Yishun Avenue 7 Singapore 768741 Tel: (+65) 6852 8585 Fax: (+65) 6756 6798		Title ① T50R0SEC9	
				Drawing-No [SG14040-02]	Format A4
				02-0371-010-CSH ②	Sheet 1 of 1

Uncontrolled Document

X-ON Electronics

Largest Supplier of Electrical and Electronic Components

Click to view similar products for [Cable Ties](#) category:

Click to view products by [HellermannTyton](#) manufacturer:

Other Similar products are found below :

[65034-C](#) [65037-C](#) [770-1751-10](#) [REL50L0C2](#) [20093-0](#) [SF600-120X](#) [SJ-3463](#) [SJ3518FR-1x50](#) [SJ3526N-Beige-2"x50yd](#) [SJ3571](#) [PLT2S-C4](#)
[34-455-C](#) [3722](#) [561-B110120](#) [561-N3510](#) [TYZ528M](#) [34-463-C](#) [URT20S-M](#) [06226](#) [08350-0](#) [08600-0](#) [08376-0](#) [10036-0](#) [10037-0](#) [10325-0](#)
[10362-0](#) [10606-0](#) [1122-4JW8](#) [561-EZ250](#) [561-EZ625](#) [SJ3527N-Beige-2"x50yd](#) [SJ3527N-LOOP-BLACK-1](#) [SJ3572-2"x50yd-Black](#) [CF5625-](#)
[000](#) [V03HK](#) [65004-C](#) [65005-C](#) [65007-C](#) [65036-C](#) [157-00039](#) [770-1708](#) [770-1753-10](#) [65035-C](#) [770-1752](#) [SPNY-041-9](#) [SF400-120X](#) [3719](#)
[08582-0](#) [08386-0](#) [10431-0](#)