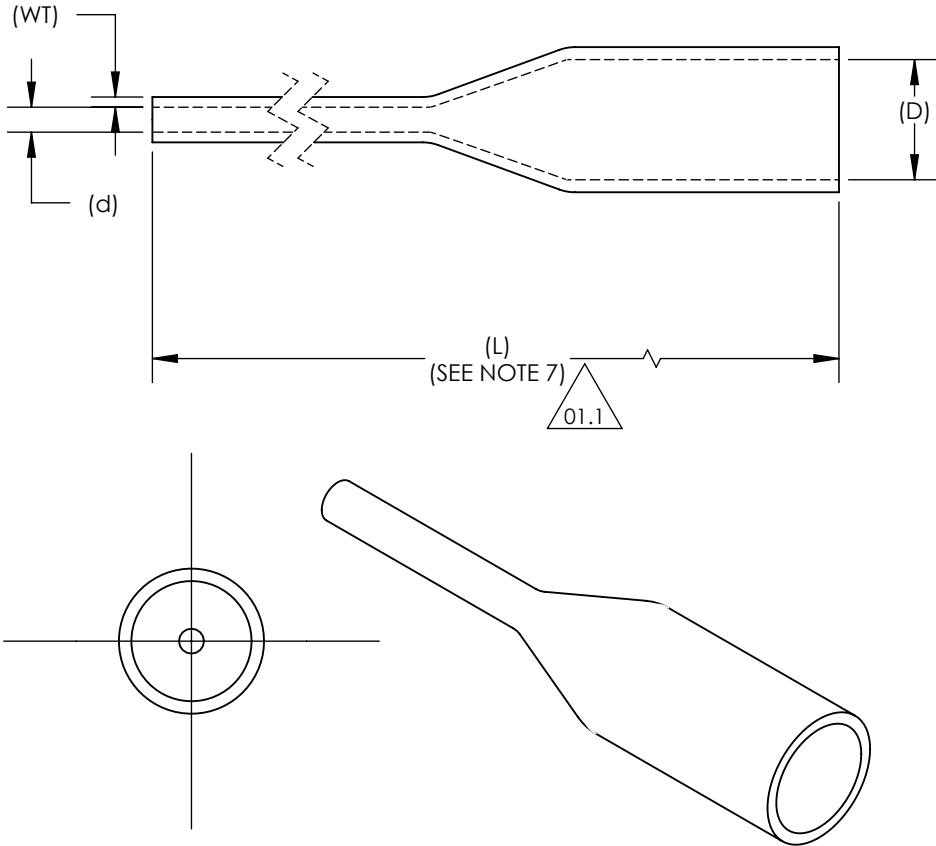


SW2015



Revision level			Revision Record		Changed	Date	Approved	Date
Drawing	State	Part						
01.1	Design Release		SEE ECN# 013944		CAS	7/11/2017	KAC	7/11/2017



**NOTES:**

1. SHRINK RATIO: 2:1
2. LONGITUNDINAL CHANGE AFTER SHRINKAGE: -5%MAX
3. MINIMUM SHRINK TEMPERATURE: 248° F (120° C)
4. OPERATING TEMPERATURES: -67° F TO 275° F (-55° C TO +135° C)
5. DIELECTRIC STRENGTH: 25kV/MM ACCORDING TO IEC 60684 P2
6. FLAMMABILITY: ASTM D2671
7. CONSULT FACTORY OR WEBSITE FOR AVAILABLE LENGTHS

Type	Shrink Ratio	Nominal Trade Size	Supplied Diameter (D)		Recovered Diameter (d)		Wall Thickness Recovered (WT)		Color
		in	in	mm	in	mm	in	mm	
HIS-Pack-3/64	2:1	3/64	0.047	1.2	0.024	0.6	0.016	0.40	Black (BK)
									Red (RD)
									Clear (CL)
									Blue (BU)
HIS-Pack-1/16	2:1	1/16	0.063	1.6	0.032	0.8	0.016	0.40	Black (BK)
									Red (RD)
									Clear (CL)
									Blue (BU)
HIS-Pack-3/32	2:1	3/32	0.094	2.4	0.047	1.2	0.02	0.5	Black (BK)
									Red (RD)
									Clear (CL)
									Blue (BU)
HIS-Pack-1/8	2:1	1/8	0.125	3.2	0.063	1.6	0.02	0.5	Black (BK)
									Red (RD)
									Clear (CL)
									Blue (BU)
HIS-Pack-3/16	2:1	3/16	0.188	4.8	0.094	2.4	0.02	0.5	Green-Yellow (GNYE)
									Black (BK)
									Red (RD)
									Clear (CL)
HIS-Pack-1/4	2:1	1/4	0.25	6.4	0.125	3.2	0.024	0.6	Blue (BU)
									Green-Yellow (GNYE)
									Black (BK)
									Red (RD)
HIS-Pack-3/8	2:1	3/8	0.375	9.5	0.185	4.7	0.024	0.6	Clear (CL)
									Blue (BU)
									Green-Yellow (GNYE)
									Black (BK)
HIS-Pack-1/2	2:1	1/2	0.5	12.7	0.25	6.4	0.024	0.6	Blue (BU)
									Green-Yellow (GNYE)
									Clear (CL)
									Red (RD)
HIS-Pack-3/4	2:1	3/4	0.75	19.1	0.38	9.5	0.031	0.8	Blue (BU)
									Green-Yellow (GNYE)
									Clear (CL)
									Red (RD)
HIS-Pack-1	2:1	1	1	25.4	0.5	12.7	0.035	0.9	Blue (BU)
									Green-Yellow (GNYE)
									Clear (CL)
									Red (RD)

Material  
POLYOLEFIN, CROSS LINKED (POX)

Units: inches  
Dimension without tolerances details to:  
.xxxx = ±.0005  
.xxx = ±.005  
.xx = ±.01  
.x = ±.03  
None = ±.06  
∠ = ±0.5°  
Dimension Formatted in [mm]

The copyright of this drawing is reserved by HellermannTyton. It is issued on condition that it is not reproduced, copied, or disclosed to a third party, either wholly or in part, without the consent of HellermannTyton.

Drawn GRW 12/9/2016  
Approved KAC 12/9/2016

**HellermannTyton**  
North America  
Email: corp@htamericas.com  
Web: www.hellermann.tyton.com

Article/Type-No HIS-PACK SERIES  
Title HEAT SHRINK TUBING, 2:1 SHRINK RATIO, NON-ADHESIVE THIN WALL  
Drawing-No PRODUCTION : Phase  
**17-1046-001-CSU**

Scale 5:1  
Project Number PRP 17-1046  
Format AH  
Sheet 1/1

## X-ON Electronics

Largest Supplier of Electrical and Electronic Components

*Click to view similar products for [Heat Shrink Tubing and Sleeves](#) category:*

*Click to view products by [HellermannTyton](#) manufacturer:*

Other Similar products are found below :

[5685710001](#) [CR9960-000](#) [5734012004](#) [607381P039](#) [611112-000](#) [6284592002](#) [CX4711-000](#) [CZ1420-000](#) [D-306-38](#) [770-006S302](#) [770-010Y106W1](#) [770-018S103](#) [770-018S202W1](#) [770-018S205W1](#) [770-020S704W1](#) [770-020S705](#) [MFP-1/4"-Clear](#) [MFP-3/64"-Clear](#) [790-3012](#) [MHHT-4-15K2-G-104](#) [8003012003](#) [MIL-LT-1-1/2-4-SP](#) [MIL-LT-1-1/2-9-STK](#) [MIL-LT-1/2-2-STK](#) [MIL-LT-3/32-0-SP](#) [MIL-LT-3/32-6-SP](#) [MIL-LT-3/4-4-STK](#) [MIL-LT-3/4-6-SP](#) [839602-000](#) [8423-6](#) [FP301-116-48"-Clear](#) [FP301-12-6"-Clear](#) [FP301-1/4-48"-White-Hdr](#) [FP301-18-48"-Black-Hdr](#) [FP301-1/8-6"-Black](#) [FP301-18-6"-Black-Bulk](#) [FP301-316-48"-Blue-Hdr](#) [FP301-34-48"-Green-Hdr](#) [912229N002](#) [R280637030](#) [HDCW-5515-1000](#) [HDT-0300-48A-BLACK](#) [HDT-0400-48A-Black](#) [HDT-0800-48A-RED](#) [HDT1100-48A-BLK](#) [HDT1500-48A-BLK](#) [HDT-2000-48A-Black](#) [RHW-70/20-1200/ADH-0](#) [DWP-125-0.450-4-55MM-CS879](#) [156082-000](#)