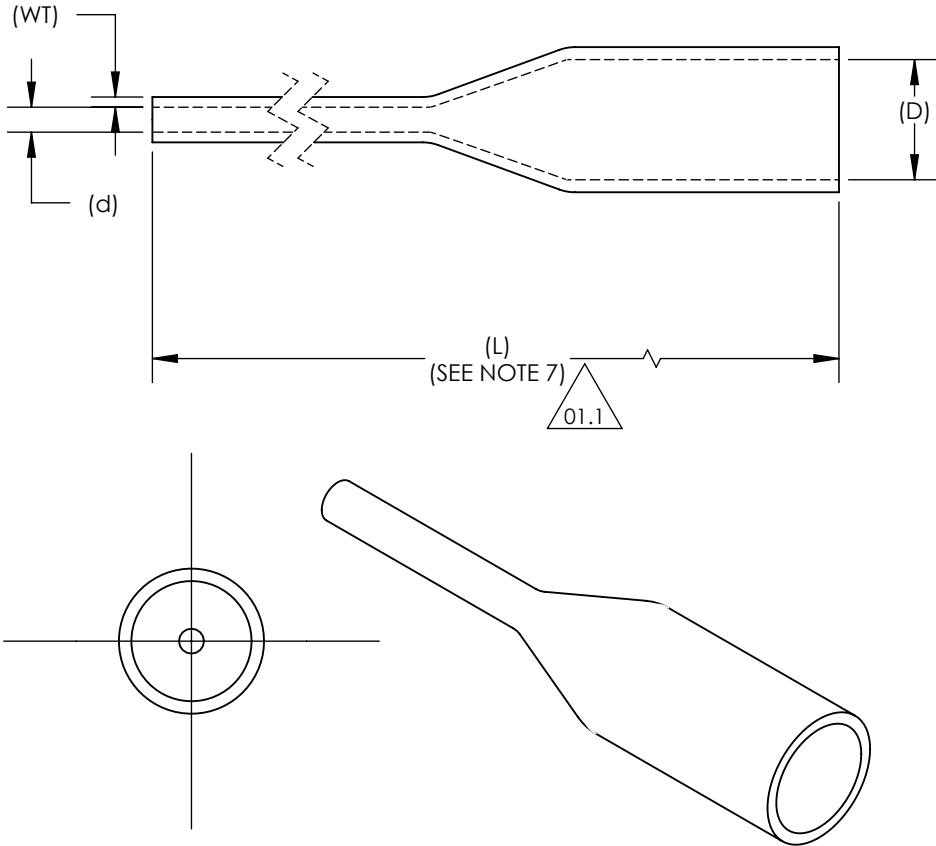


SW2015



|                |                |      |                 |  |         |           |          |           |
|----------------|----------------|------|-----------------|--|---------|-----------|----------|-----------|
| Revision level |                |      | Revision Record |  | Changed | Date      | Approved | Date      |
| Drawing        | State          | Part |                 |  |         |           |          |           |
| 01.1           | Design Release |      | SEE ECN# 013944 |  | CAS     | 7/11/2017 | KAC      | 7/11/2017 |



**NOTES:**

1. SHRINK RATIO: 2:1
2. LONGITUNDINAL CHANGE AFTER SHRINKAGE: -5%MAX
3. MINIMUM SHRINK TEMPERATURE: 248° F (120° C)
4. OPERATING TEMPERATURES: -67° F TO 275° F (-55° C TO +135° C)
5. DIELECTRIC STRENGTH: 25kV/MM ACCORDING TO IEC 60684 P2
6. FLAMMABILITY: ASTM D2671
7. CONSULT FACTORY OR WEBSITE FOR AVAILABLE LENGTHS

| Type          | Shrink Ratio | Nominal Trade Size | Supplied Diameter (D) |      | Recovered Diameter (d) |      | Wall Thickness Recovered (WT) |      | Color               |
|---------------|--------------|--------------------|-----------------------|------|------------------------|------|-------------------------------|------|---------------------|
|               |              | in                 | in                    | mm   | in                     | mm   | in                            | mm   |                     |
| HIS-Pack-3/64 | 2:1          | 3/64               | 0.047                 | 1.2  | 0.024                  | 0.6  | 0.016                         | 0.40 | Black (BK)          |
|               |              |                    |                       |      |                        |      |                               |      | Red (RD)            |
|               |              |                    |                       |      |                        |      |                               |      | Clear (CL)          |
|               |              |                    |                       |      |                        |      |                               |      | Blue (BU)           |
| HIS-Pack-1/16 | 2:1          | 1/16               | 0.063                 | 1.6  | 0.032                  | 0.8  | 0.016                         | 0.40 | Black (BK)          |
|               |              |                    |                       |      |                        |      |                               |      | Red (RD)            |
|               |              |                    |                       |      |                        |      |                               |      | Clear (CL)          |
|               |              |                    |                       |      |                        |      |                               |      | Blue (BU)           |
| HIS-Pack-3/32 | 2:1          | 3/32               | 0.094                 | 2.4  | 0.047                  | 1.2  | 0.02                          | 0.5  | Black (BK)          |
|               |              |                    |                       |      |                        |      |                               |      | Red (RD)            |
|               |              |                    |                       |      |                        |      |                               |      | Clear (CL)          |
|               |              |                    |                       |      |                        |      |                               |      | Blue (BU)           |
| HIS-Pack-1/8  | 2:1          | 1/8                | 0.125                 | 3.2  | 0.063                  | 1.6  | 0.02                          | 0.5  | Black (BK)          |
|               |              |                    |                       |      |                        |      |                               |      | Red (RD)            |
|               |              |                    |                       |      |                        |      |                               |      | Clear (CL)          |
|               |              |                    |                       |      |                        |      |                               |      | Blue (BU)           |
| HIS-Pack-3/16 | 2:1          | 3/16               | 0.188                 | 4.8  | 0.094                  | 2.4  | 0.02                          | 0.5  | Green-Yellow (GNYE) |
|               |              |                    |                       |      |                        |      |                               |      | Black (BK)          |
|               |              |                    |                       |      |                        |      |                               |      | Red (RD)            |
|               |              |                    |                       |      |                        |      |                               |      | Clear (CL)          |
| HIS-Pack-1/4  | 2:1          | 1/4                | 0.25                  | 6.4  | 0.125                  | 3.2  | 0.024                         | 0.6  | Blue (BU)           |
|               |              |                    |                       |      |                        |      |                               |      | Green-Yellow (GNYE) |
|               |              |                    |                       |      |                        |      |                               |      | Black (BK)          |
|               |              |                    |                       |      |                        |      |                               |      | Red (RD)            |
| HIS-Pack-3/8  | 2:1          | 3/8                | 0.375                 | 9.5  | 0.185                  | 4.7  | 0.024                         | 0.6  | Clear (CL)          |
|               |              |                    |                       |      |                        |      |                               |      | Blue (BU)           |
|               |              |                    |                       |      |                        |      |                               |      | Green-Yellow (GNYE) |
|               |              |                    |                       |      |                        |      |                               |      | Black (BK)          |
| HIS-Pack-1/2  | 2:1          | 1/2                | 0.5                   | 12.7 | 0.25                   | 6.4  | 0.024                         | 0.6  | Blue (BU)           |
|               |              |                    |                       |      |                        |      |                               |      | Green-Yellow (GNYE) |
|               |              |                    |                       |      |                        |      |                               |      | Clear (CL)          |
|               |              |                    |                       |      |                        |      |                               |      | Red (RD)            |
| HIS-Pack-3/4  | 2:1          | 3/4                | 0.75                  | 19.1 | 0.38                   | 9.5  | 0.031                         | 0.8  | Blue (BU)           |
|               |              |                    |                       |      |                        |      |                               |      | Green-Yellow (GNYE) |
|               |              |                    |                       |      |                        |      |                               |      | Clear (CL)          |
|               |              |                    |                       |      |                        |      |                               |      | Red (RD)            |
| HIS-Pack-1    | 2:1          | 1                  | 1                     | 25.4 | 0.5                    | 12.7 | 0.035                         | 0.9  | Blue (BU)           |
|               |              |                    |                       |      |                        |      |                               |      | Green-Yellow (GNYE) |
|               |              |                    |                       |      |                        |      |                               |      | Clear (CL)          |
|               |              |                    |                       |      |                        |      |                               |      | Red (RD)            |

Material  
POLYOLEFIN, CROSS LINKED (POX)

Units: inches  
Dimension without tolerances details to:  
.xxxx = ±.0005  
.xxx = ±.005  
.xx = ±.01  
.x = ±.03  
None = ±.06  
∠ = ±0.5°  
Dimension Formatted in [mm]

The copyright of this drawing is reserved by HellermannTyton. It is issued on condition that it is not reproduced, copied, or disclosed to a third party, either wholly or in part, without the consent of HellermannTyton.

Drawn GRW 12/9/2016  
Approved KAC 12/9/2016  
**HellermannTyton**  
North America  
Email: corp@htamericas.com  
Web: www.hellermann.tyton.com

Article/Type-No HIS-PACK SERIES  
Title HEAT SHRINK TUBING, 2:1 SHRINK RATIO, NON-ADHESIVE THIN WALL  
Drawing-No PRODUCTION : Phase  
**17-1046-001-CSU**

Scale 5:1  
Project Number PRP 17-1046  
Format AH  
Sheet 1/1

## X-ON Electronics

Largest Supplier of Electrical and Electronic Components

*Click to view similar products for [Heat Shrink Tubing and Sleeves](#) category:*

*Click to view products by [HellermannTyton](#) manufacturer:*

Other Similar products are found below :

[5685710001](#) [CR9960-000](#) [5734012004](#) [607381P039](#) [611112-000](#) [6284592002](#) [CX4711-000](#) [CZ1420-000](#) [D-306-38](#) [770-006S302](#) [770-010Y106W1](#) [770-018S103](#) [770-018S202W1](#) [770-018S205W1](#) [770-020S704W1](#) [770-020S705](#) [MFP-1/4"-Clear](#) [MFP-3/64"-Clear](#) [790-3012](#) [MHHT-4-15K2-G-104](#) [8003012003](#) [MIL-LT-1-1/2-4-SP](#) [MIL-LT-1-1/2-9-STK](#) [MIL-LT-1/2-2-STK](#) [MIL-LT-3/32-0-SP](#) [MIL-LT-3/32-6-SP](#) [MIL-LT-3/4-4-STK](#) [MIL-LT-3/4-6-SP](#) [839602-000](#) [8423-6](#) [FP301-116-48"-Clear](#) [FP301-12-6"-Clear](#) [FP301-1/4-48"-White-Hdr](#) [FP301-18-48"-Black-Hdr](#) [FP301-1/8-6"-Black](#) [FP301-18-6"-Black-Bulk](#) [FP301-316-48"-Blue-Hdr](#) [FP301-34-48"-Green-Hdr](#) [912229N002](#) [R280637030](#) [HDCW-5515-1000](#) [HDT-0300-48A-BLACK](#) [HDT-0400-48A-Black](#) [HDT-0800-48A-RED](#) [HDT1100-48A-BLK](#) [HDT1500-48A-BLK](#) [HDT-2000-48A-Black](#) [RHW-70/20-1200/ADH-0](#) [DWP-125-0.450-4-55MM-CS879](#) [156082-000](#)