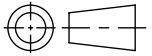
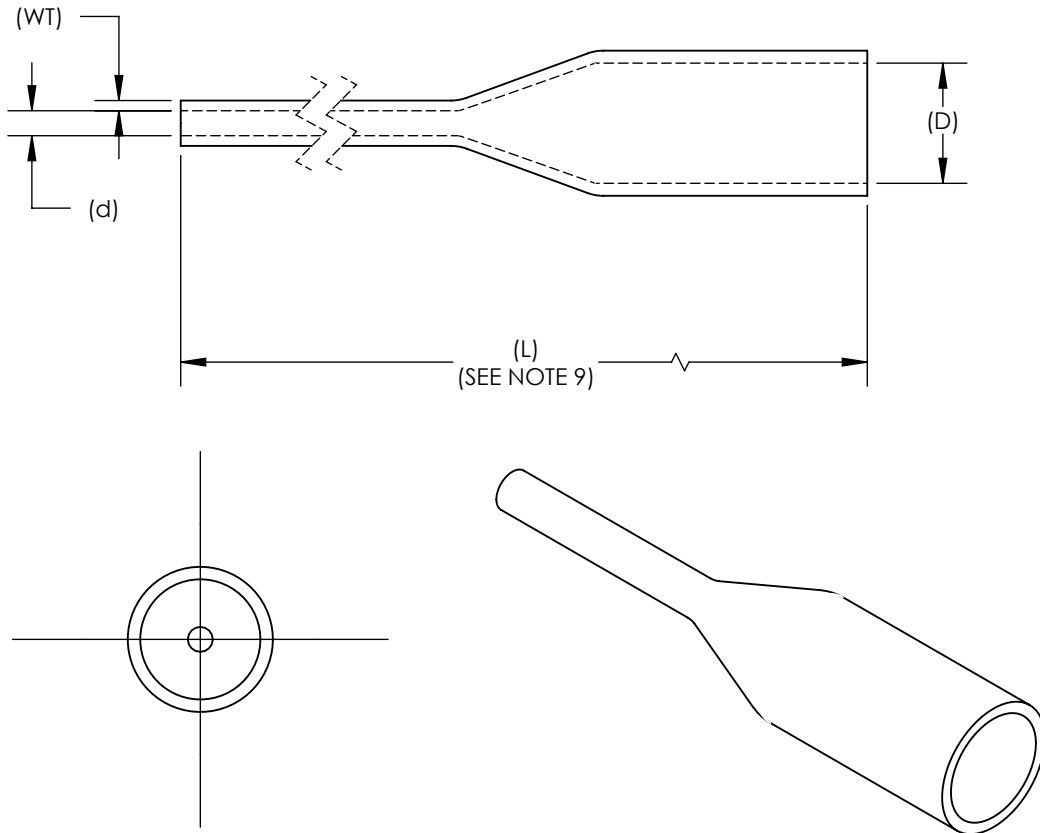


SW2015



Revision level			Revision Record	Changed	Date	Approved	Date
Drawing	State	Part					
<b>00.0</b>	<b>Design Release</b>		SEE ECN# 013647	GRW	12/9/2016	KAC	12/9/2016



Type	Shrink Ratio	Nominal Trade Size	Supplied Diameter (D)		Recovered Diameter (d)		Wall Thickness Recovered (WT)		Color
		in	in	mm	in	mm	in	mm	
<b>Mini Reels: 2:1 Thin Wall</b>									
TFN21 1.6/0.8 CL	2:1	1/16	0.063	1.6	0.032	0.8	0.016	0.40	Clear
TFN21 1.6/0.8 BK	2:1	1/16	0.063	1.6	0.032	0.8	0.016	0.40	Black
TFN21 2.4/1.2 CL	2:1	3/32	0.094	2.4	0.047	1.2	0.019	0.48	Clear
TFN21 2.4/1.2 CL	2:1	3/32	0.094	2.4	0.047	1.2	0.019	0.48	Black
TFN21 3.2/1.6 CL	2:1	1/8	0.125	3.2	0.063	1.6	0.019	0.48	Clear
TFN21 3.2/1.6 RD	2:1	1/8	0.125	3.2	0.063	1.6	0.019	0.48	Red
TFN21 3.2/1.6 BU	2:1	1/8	0.125	3.2	0.063	1.6	0.019	0.48	Blue
TFN21 4.8/2.4 CL	2:1	3/16	0.188	4.8	0.094	2.4	0.019	0.48	Clear
TFN21 4.8/2.4 RD	2:1	3/16	0.188	4.8	0.094	2.4	0.019	0.48	Red
TFN21 4.8/2.4 BU	2:1	3/16	0.188	4.8	0.094	2.4	0.019	0.48	Blue
TFN21 6.4/3.2 CL	2:1	1/4	0.25	6.4	0.125	3.2	0.022	0.56	Clear
TFN21 6.4/3.2 RD	2:1	1/4	0.25	6.4	0.125	3.2	0.022	0.56	Red
TFN21 6.4/3.2 BU	2:1	1/4	0.25	6.4	0.125	3.2	0.022	0.56	Blue
TFN21 9.5/4.8 CL	2:1	3/8	0.375	9.5	0.188	4.8	0.024	0.62	Clear
TFN21 9.5/4.8 RD	2:1	3/8	0.375	9.5	0.188	4.8	0.024	0.62	Red
TFN21 9.5/4.8 BU	2:1	3/8	0.375	9.5	0.188	4.8	0.024	0.62	Blue
TFN21 12.7/6.4 CL	2:1	1/2	0.5	12.7	0.25	6.4	0.024	0.62	Clear
TFN21 12.7/6.4 RD	2:1	1/2	0.5	12.7	0.25	6.4	0.024	0.62	Red
TFN21 12.7/6.4 BU	2:1	1/2	0.5	12.7	0.25	6.4	0.024	0.62	Blue
TFN21 19.1/9.5 CL	2:1	3/4	0.75	19.1	0.38	9.5	0.027	0.68	Clear
TFN21 19.1/9.5 RD	2:1	3/4	0.75	19.1	0.38	9.5	0.027	0.68	Red
TFN21 19.1/9.5 BU	2:1	3/4	0.75	19.1	0.38	9.5	0.027	0.68	Blue
TFN21 25.4/12.7 CL	2:1	1	1	25.4	0.5	12.7	0.034	0.87	Clear
TFN21 25.4/12.7 RD	2:1	1	1	25.4	0.5	12.7	0.034	0.87	Red
TFN21 25.4/12.7 BU	2:1	1	1	25.4	0.5	12.7	0.034	0.87	Blue
<b>Bulk Reels: 2:1 Thin Wall</b>									
TFN21 3.2/1.6 BK	2:1	1/8	0.125	3.2	0.063	1.6	0.019	0.48	Black
TFN21 4.8/2.4 BK	2:1	3/16	0.188	4.8	0.094	2.4	0.019	0.48	Black
TFN21 6.4/3.2 BK	2:1	1/4	0.25	6.4	0.125	3.2	0.022	0.56	Black
TFN21 9.5/4.8 BK	2:1	3/8	0.375	9.5	0.188	4.8	0.024	0.62	Black
TFN21 12.7/6.4 BK	2:1	1/2	0.5	12.7	0.25	6.4	0.024	0.62	Black
TFN21 19.1/9.5 BK	2:1	3/4	0.75	19.1	0.38	9.5	0.027	0.68	Black
TFN21 25.4/12.7 BK	2:1	1	1	25.4	0.5	12.7	0.034	0.87	Black
TFN21 38.1/19.1 BK	2:1	1-1/2	1.5	38.1	0.75	19.1	0.039	1.00	Black
<b>4 Foot Sticks: 2:1 Thin Wall</b>									
TFN21-ST 2.4/1.2 BK	2:1	3/32	0.094	2.4	0.047	1.2	0.019	0.48	Black
TFN21-ST 3.2/1.6 BK	2:1	1/8	0.125	3.2	0.063	1.6	0.019	0.48	Black
TFN21-ST 4.8/2.4 BK	2:1	3/16	0.188	4.8	0.094	2.4	0.019	0.48	Black
TFN21-ST 6.4/3.2 BK	2:1	1/4	0.250	6.4	0.125	3.2	0.022	0.56	Black
TFN21-ST 9.5/4.8 BK	2:1	3/8	0.375	9.5	0.188	4.8	0.024	0.62	Black
TFN21-ST 12.7/6.4 BK	2:1	1/2	0.500	12.7	0.250	6.4	0.024	0.62	Black
TFN21-ST 19.1/9.5 BK	2:1	3/4	0.750	19.1	0.375	9.5	0.027	0.68	Black
TFN21-ST 25.4/12.7 BK	2:1	1	1.000	25.4	0.500	12.7	0.034	0.87	Black

- NOTES:**
- SHRINK RATIO 2:1
  - LONGITUDINAL CHANGE AFTER SHRINKAGE ± 5%
  - MINIMUM SHRINK TEMPERATURE 212° F (100° C)
  - OPERATING TEMPERATURES -67° F TO 275° F (-55° C TO 135° C)
  - DIELECTRIC STRENGTH >20KV/MM ACCORDING TO ASTM D 150
  - RoHS
  - FLAMMABILITY UL224 600V VW-1 (EXCEPT CLEAR)
  - MEETS SAE-AMS-DTL-23053/5 CLASS 1 & 3
  - CONSULT FACTORY OR WEBSITE FOR AVAILABLE LENGTHS

Material  
POLYOLEFIN, CROSS LINKED

Units: **inches**  
Dimension without tolerances details to:  
.xxxx = ± .0005  
.xxx = ± .005  
.xx = ± .01  
.x = ± .03  
None = ± .06  
∠ = ± 0.5°  
Dimension Formatted in [mm]

The copyright of this drawing is reserved by HellermannTyton. It is issued on condition that it is not reproduced, copied, or disclosed to a third party, either wholly or in part, without the consent of HellermannTyton.

Drawn GRW 12/9/2016  
Approved KAC 12/9/2016  
**HellermannTyton**  
North America  
Email: corp@htamericas.com  
Web: www.hellermann.tyton.com

Article/Type-No TFN21 SERIES

Title **HEAT SHRINK TUBING, 2:1 SHRINK RATIO, NON-ADHESIVE THIN WALL**

Drawing-No PRODUCTION : Phase

**16-1991-001-CSU**

Scale  
Project Number PRP 16-1991  
Format AH  
Sheet 1/1

## X-ON Electronics

Largest Supplier of Electrical and Electronic Components

*Click to view similar products for [Heat Shrink Tubing and Sleeves](#) category:*

*Click to view products by [HellermannTyton](#) manufacturer:*

Other Similar products are found below :

[5685710001](#) [CR9960-000](#) [5734012004](#) [607381P039](#) [611112-000](#) [6284592002](#) [CX4711-000](#) [CZ1420-000](#) [D-306-38](#) [770-006S302](#) [770-010Y106W1](#) [770-018S103](#) [770-018S202W1](#) [770-018S205W1](#) [770-020S704W1](#) [770-020S705](#) [MFP-1/4"-Clear](#) [MFP-3/64"-Clear](#) [790-3012](#) [MHHT-4-15K2-G-104](#) [8003012003](#) [MIL-LT-1-1/2-4-SP](#) [MIL-LT-1-1/2-9-STK](#) [MIL-LT-1/2-2-STK](#) [MIL-LT-3-0-SP](#) [MIL-LT-3/32-0-SP](#) [MIL-LT-3/32-6-SP](#) [MIL-LT-3/4-4-STK](#) [MIL-LT-3/4-6-SP](#) [839602-000](#) [8423-6](#) [FP301-116-48"-Clear](#) [FP301-12-6"-Clear](#) [FP301-1/4-48"-White-Hdr](#) [FP301-18-48"-Black-Hdr](#) [FP301-1/8-6"-Black](#) [FP301-18-6"-Black-Bulk](#) [FP301-316-48"-Blue-Hdr](#) [FP301-34-48"-Green-Hdr](#) [912229N002](#) [R280637030](#) [HDCW-5515-1000](#) [HDT-0300-48A-BLACK](#) [HDT-0400-48A-Black](#) [HDT-0800-48A-RED](#) [HDT1100-48A-BLK](#) [HDT1500-48A-BLK](#) [HDT-2000-48A-Black](#) [RHW-70/20-1200/ADH-0](#) [DWP-125-0.450-4-55MM-CS879](#)