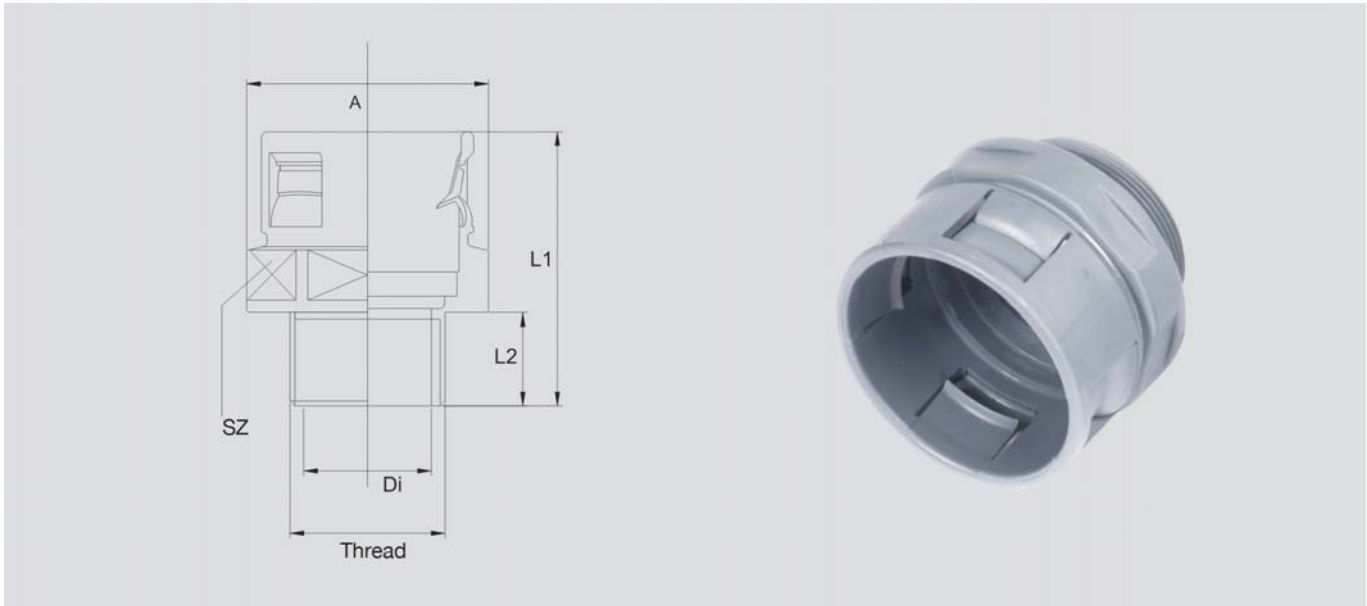


# HSSV Corrugated tubes conduit gland - straight

Male thread, plastic



## HSSV gland straight

Quick-insert glands for a reliable, quick connection.

Suitable for parallel-corrugated HELUcond protection tubes.

## Application

- Plant and machine construction
- Robotics
- Automation technology
- Vehicle construction and shipbuilding
- Railway technology
- Installation technology
- Control cabinet construction

## Material

Polyamide PA 6

Flammability acc. to UL 94: V0

- halogen-free
- cadmium-free

## Properties

Resistant to a multitude of

- Fuels
- Mineral oils
- Greases
- Weak bases
- Weak acids

## Note

- UR-tested
- Protection classification:
- IP 66 with outer seal
- Threaded connection:
- Metric to EN 60423
- Each unit includes 1 safety opener

## Technical data

Protection class: IP 65

Temperature range: -40°C up to +110°C

## Metric thread

Part no. grey	Part no. black	Size Metric	Suitable for ND	Thread length mm	Spanner size mm	Unit	Net EUR/ 100 items at a purchase of		
							up to 100	101 - 500	501 - 1000
905858	905859	M10 x 1,0	7,5	8,5	14,0	50	o. r.	o. r.	o. r.
94180	94190	M12 x 1,5	10,0	8,9	19,0	50	o. r.	o. r.	o. r.
920183	920184	M16 x 1,5	10,0	9,3	19,0	50	o. r.	o. r.	o. r.
94181	94191	M16 x 1,5	12,0	8,6	21,0	50	o. r.	o. r.	o. r.
94182	94192	M20 x 1,5	16,0 / 17,0	13,0	27,0	50	o. r.	o. r.	o. r.
94183	94193	M25 x 1,5	21,0 / 23,0	14,3	36,0	50	o. r.	o. r.	o. r.
94184	94194	M32 x 1,5	29,0	14,2	40,0	25	o. r.	o. r.	o. r.
94185	94195	M40 x 1,5	36,0 / 37,0	15,0	50,0	25	o. r.	o. r.	o. r.
94186	94196	M50 x 1,5	48,0 / 50,0	15,5	65,0	10	o. r.	o. r.	o. r.
920185	920186	M63 x 1,5	48,0 / 50,0	15,5	65,0	10	o. r.	o. r.	o. r.

## PG thread

Part no. grey	Part no. black	Size PG	Suitable for ND	Thread length mm	Spanner size mm	Unit	Net EUR/ 100 items at a purchase of		
							up to 100	101 - 500	501 - 1000
90480	90490	7	7,5	7,0	14,0	50	o. r.	o. r.	o. r.
90481	90491	9	10,0	7,6	19,0	50	o. r.	o. r.	o. r.
90482	90492	11	12,0	8,5	21,0	50	o. r.	o. r.	o. r.
90483	90493	13,5	16,0 / 17,0	9,8	27,0	50	o. r.	o. r.	o. r.
90484	90494	16	16,0 / 17,0	9,9	27,0	50	o. r.	o. r.	o. r.
90485	90495	21	21,0 / 23,0	11,7	36,0	50	o. r.	o. r.	o. r.
90486	90496	29	29,0	11,7	40,0	25	o. r.	o. r.	o. r.
90487	90497	36	36,0 / 37,0	15,0	50,0	25	o. r.	o. r.	o. r.
90488	90498	48	48,0 / 50,0	15,0	65,0	10	o. r.	o. r.	o. r.

Dimensions and specifications may be changed without prior notice.

o. r. = on request

## X-ON Electronics

Largest Supplier of Electrical and Electronic Components

*Click to view similar products for [Conduit Fittings & Accessories](#) category:*

*Click to view products by [Helukabel](#) manufacturer:*

Other Similar products are found below :

[M3231GAB](#) [M3231GAC](#) [M3231GAE](#) [M3231GL](#) [M3231GN](#) [M3231GT](#) [VC-937-16/RED](#) [VC-1125-16/RED](#) [DM0240-1/2A](#) [3408B](#) [G6002](#)  
[M4340GAE](#) [C2016-P](#) [C2012-P](#) [3407B](#) [1660-P](#) [561-87BG11BLK](#) [561-75BG11B](#) [1.511.1601.14](#) [1.533.1201.50](#) [1.533.1601.51](#) [1.533.2001.51](#)  
[1.533.4001.50](#) [1.533.5001.50](#) [BVNV-P428](#) [BVBV-P366](#) [2276](#) [2663-P](#) [3405B](#) [C2070-P](#) [3582V](#) [2643-P](#) [4975](#) [2644-P](#) [2955](#) [M50](#) [2404-P](#)  
[C2008-P](#) [2723-P](#) [2291](#) [2133-P](#) [3048F](#) [VC12516](#) [RC156-0500](#) [DM0523-1/2A](#) [1035A](#) [DMS0250-1A](#) [DMS0313-1A](#) [1040A](#) [1050A](#) [R1/8A](#)