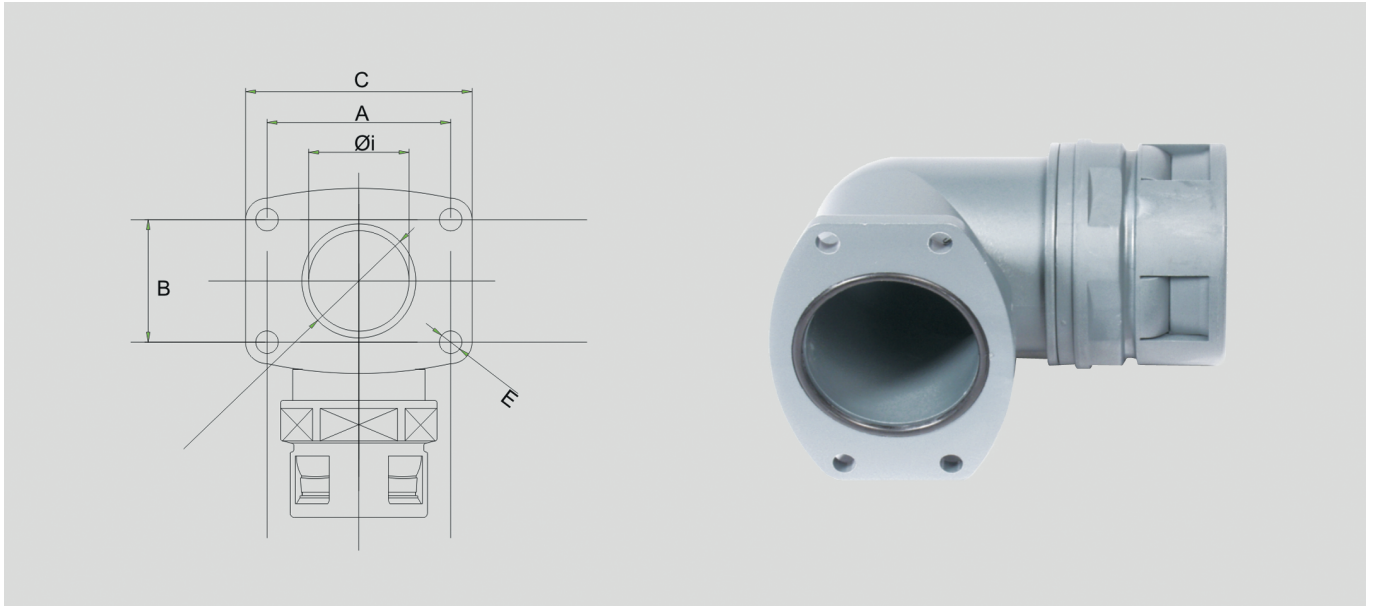


# HSSV corrugated tubes conduit gland - elbow 90°

flange



## HSSV gland 90° flange

Quick-insert glands for a reliable, quick connection.  
Suitable for parallel-coiled HELUcond protection tubes.

### Application

- Plant and machine construction
- Robot construction
- Automation technology
- Vehicle construction and shipbuilding
- Rail technology
- Installation technology
- Control cabinet construction

## Material

Polyamide PA 6

Flammability acc. to UL 94: VO

- halogen-free
- cadmium-free

## Properties

resistant to a multitude of

- fuels
- mineral oils
- greases
- weak bases
- weak acids

## Note

- UR-tested
- Protection classification:
- IP 66 with outer seal
- Each unit includes 1 safety opener

## Technical data

Protection class: IP 65

Temperature range: -40°C up to +110°C

## flange

Part no. grey	Part no. black	Suitable for ND	Unit	Net EUR/100 items at a purchase of		
				up to 100	101 - 500	501 - 1000
920209	920214	17,0	50	o. r.	o. r.	o. r.
920210	920215	21,0 / 23,0	50	o. r.	o. r.	o. r.
920211	920216	29,0	25	o. r.	o. r.	o. r.
920212	920217	36,0 / 37,0	25	o. r.	o. r.	o. r.
920213	920218	48,0 / 50,0	10	o. r.	o. r.	o. r.

Dimensions and specifications may be changed without prior notice.

o. r. = on request

## X-ON Electronics

Largest Supplier of Electrical and Electronic Components

*Click to view similar products for [Conduit Fittings & Accessories](#) category:*

*Click to view products by [Helukabel](#) manufacturer:*

Other Similar products are found below :

[S53.35A](#) [260-416](#) [DM0240-1/2A](#) [817.612.0](#) [55506625](#) [1.511.2001.50](#) [1.533.1601.50](#) [1.533.2001.50](#) [52005810](#) [817.716.0](#) [712.015.0](#) [216-420](#) [2276](#) [2663-P](#) [C2070-P](#) [3582V](#) [2643-P](#) [4975](#) [2644-P](#) [90480](#) [2404-P](#) [1047561](#) [2723-P](#) [55506355](#) [1.513.1101.14](#) [55502461](#) [55502462](#) [55502463](#) [55502464](#) [55502473](#) [166-22214](#) [166-22215](#) [166-24800](#) [166-25801](#) [166-30318](#) [SHR-C1](#) [2037 12-20 LGR](#) [2037 16-24 LGR](#) [HP50SS](#) [55502470](#) [SH PA6 BL ND10](#) [5308 946](#) [295.012.0](#) [2955 M16](#) [2955 M25](#) [2955 M32](#) [2955 M40](#) [297.212.0](#) [297.240.0](#) [298.012.0](#)