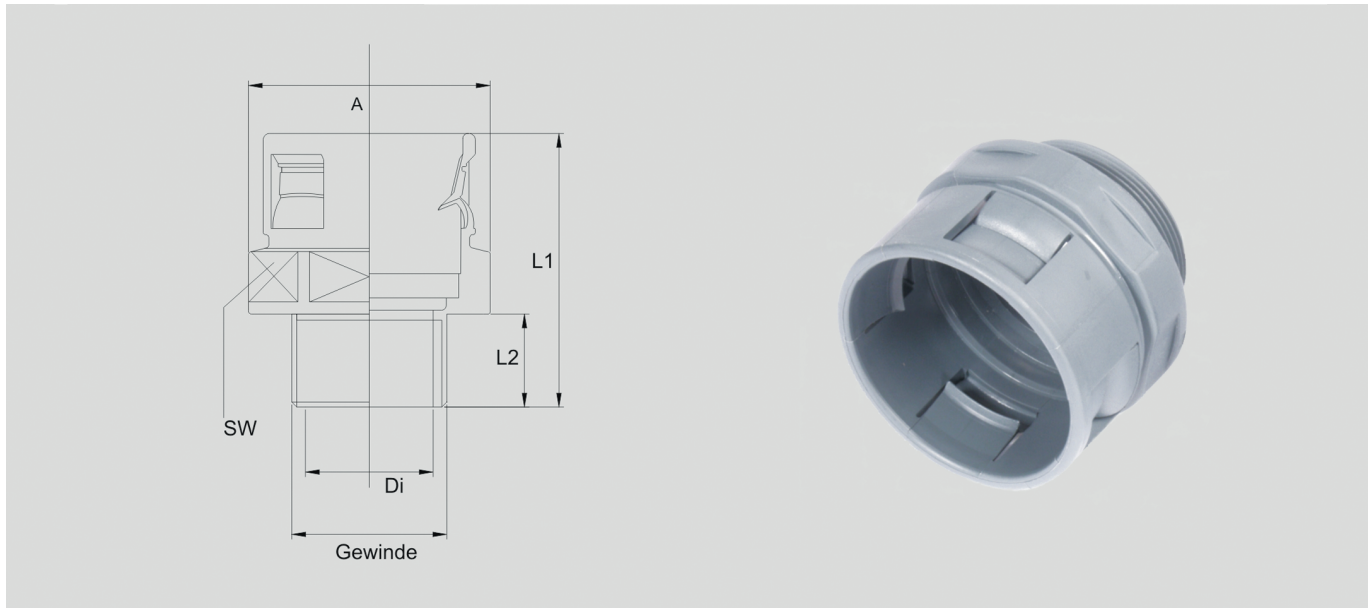


HSSV corrugated tubes conduit gland - straight

male thread, plastic



HSSV gland straight

Quick-insert glands for a reliable, quick connection.
Suitable for parallel-coiled HELUcond protection tubes.

Application

- Plant and machine construction
- Robot construction
- Automation technology
- Vehicle construction and shipbuilding
- Rail technology
- Installation technology
- Control cabinet construction

Material

Polyamide PA 6

Flammability acc. to UL 94: VO

- halogen-free
- cadmium-free

Properties

resistant to a multitude of

- fuels
- mineral oils
- greases
- weak bases
- weak acids

Note

- UR-tested
 - Protection classification: IP 66 with outer seal
 - Threaded connection: metric to EN 60423
- Each unit includes 1 safety opener

Technical data

Protection class: IP 65

Temperature range: -40°C up to +110°C

metric thread

Part no. grey	Part no. black	Size Metric	Suitable for ND	Thread length mm	Spanner size mm	Unit	Net EUR/ 100 items at a purchase of		
							up to 100	101 - 500	501 - 1000
905858	905859	M10 x 1,0	7,5	8,5	14,0	50	o. r.	o. r.	o. r.
94180	94190	M12 x 1,5	10,0	8,9	19,0	50	o. r.	o. r.	o. r.
920183	920184	M16 x 1,5	10,0	9,3	19,0	50	o. r.	o. r.	o. r.
94181	94191	M16 x 1,5	12,0	8,6	21,0	50	o. r.	o. r.	o. r.
94182	94192	M20 x 1,5	16,0 / 17,0	13,0	27,0	50	o. r.	o. r.	o. r.
94183	94193	M25 x 1,5	21,0 / 23,0	14,3	36,0	50	o. r.	o. r.	o. r.
94184	94194	M32 x 1,5	29,0	14,2	40,0	25	o. r.	o. r.	o. r.
94185	94195	M40 x 1,5	36,0 / 37,0	15,0	50,0	25	o. r.	o. r.	o. r.
94186	94196	M50 x 1,5	48,0 / 50,0	15,5	65,0	10	o. r.	o. r.	o. r.
920185	920186	M63 x 1,5	48,0 / 50,0	15,5	65,0	10	o. r.	o. r.	o. r.

PG thread

Part no. grey	Part no. black	Size PG	Suitable for ND	Thread length mm	Spanner size mm	Unit	Net EUR/ 100 items at a purchase of		
							up to 100	101 - 500	501 - 1000
90480	90490	7	7,5	7,0	14,0	50	o. r.	o. r.	o. r.
90481	90491	9	10,0	7,6	19,0	50	o. r.	o. r.	o. r.
90482	90492	11	12,0	8,5	21,0	50	o. r.	o. r.	o. r.
90483	90493	13,5	16,0 / 17,0	9,8	27,0	50	o. r.	o. r.	o. r.
90484	90494	16	16,0 / 17,0	9,9	27,0	50	o. r.	o. r.	o. r.
90485	90495	21	21,0 / 23,0	11,7	36,0	50	o. r.	o. r.	o. r.
90486	90496	29	29,0	11,7	40,0	25	o. r.	o. r.	o. r.
90487	90497	36	36,0 / 37,0	15,0	50,0	25	o. r.	o. r.	o. r.
90488	90498	48	48,0 / 50,0	15,0	65,0	10	o. r.	o. r.	o. r.

Dimensions and specifications may be changed without prior notice.

o. r. = on request

X-ON Electronics

Largest Supplier of Electrical and Electronic Components

Click to view similar products for [Conduit Fittings & Accessories](#) category:

Click to view products by [Helukabel](#) manufacturer:

Other Similar products are found below :

[S53.35A](#) [260-416](#) [DM0240-1/2A](#) [817.612.0](#) [55506625](#) [1.511.2001.50](#) [1.533.1601.50](#) [1.533.2001.50](#) [52005810](#) [817.716.0](#) [712.015.0](#) [216-420](#) [2276](#) [2663-P](#) [C2070-P](#) [3582V](#) [2643-P](#) [4975](#) [2644-P](#) [90480](#) [2404-P](#) [1047561](#) [2723-P](#) [55506355](#) [1.513.1101.14](#) [55502461](#) [55502462](#) [55502463](#) [55502464](#) [55502473](#) [166-22214](#) [166-22215](#) [166-24800](#) [166-25801](#) [166-30318](#) [SHR-C1](#) [2037 12-20 LGR](#) [2037 16-24 LGR](#) [HP50SS](#) [55502470](#) [SH PA6 BL ND10](#) [5308 946](#) [295.012.0](#) [2955 M16](#) [2955 M25](#) [2955 M32](#) [2955 M40](#) [297.212.0](#) [297.240.0](#) [298.012.0](#)