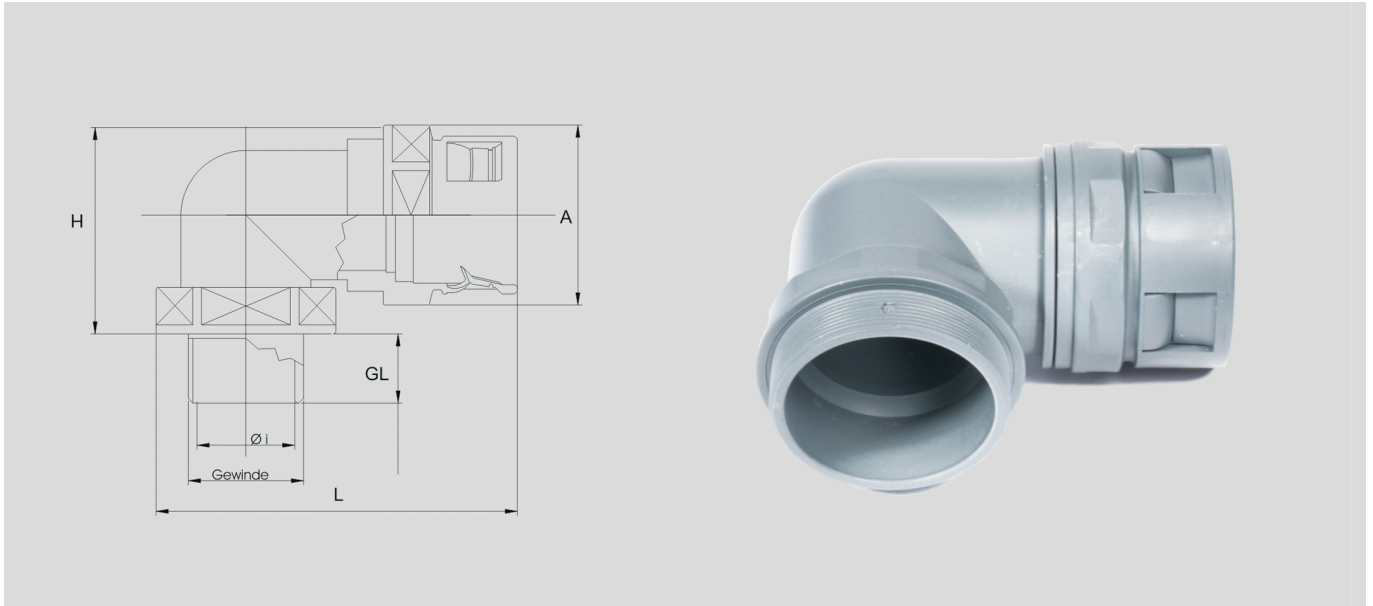


# HSSV corrugated tubes conduit gland - elbow 90°

plastic male thread



## HSSV gland 90°

Quick-insert glands for a reliable, quick connection.  
Suitable for parallel-coiled HELUcond protection tubes.

### Application

- Plant and machine construction
- Robot construction
- Automation technology
- Vehicle construction and shipbuilding
- Rail technology
- Installation technology
- Control cabinet construction

## Material

Polyamide PA 6

Flammability acc. to UL 94: VO

- halogen-free
- cadmium-free

## Properties

resistant to a multitude of

- fuels
- mineral oils
- greases
- weak bases
- weak acids

## Note

- UR-tested
  - Protection classification: IP 66 with outer seal
  - Threaded connection: metric to EN 60423
- Each unit includes 1 safety opener.

## Technical data

Protection class: IP 65

Temperature range: -40°C up to +110°C

### metric thread

Part no. grey	Part no. black	Size Metric	Suitable for ND	Thread length mm	Spanner size mm	Unit	Net EUR/100 items at a purchase of		
							up to 100	101 - 500	501 - 1000
94200	94210	M12 x 1,5	10,0	9,5	-	50	o. r.	o. r.	o. r.
98983	920190	M16 x 1,5	10,0	9,0	-	50	o. r.	o. r.	o. r.
94201	94211	M16 x 1,5	12,0	8,0	-	50	o. r.	o. r.	o. r.
94202	94212	M20 x 1,5	16,0 / 17,0	10,5	-	50	o. r.	o. r.	o. r.
94203	94213	M25 x 1,5	21,0 / 23,0	14,8	-	50	o. r.	o. r.	o. r.
94204	94214	M32 x 1,5	29,0	13,8	-	25	o. r.	o. r.	o. r.
94205	94215	M40 x 1,5	36,0 / 37,0	15,6	-	25	o. r.	o. r.	o. r.
94206	94216	M50 x 1,5	48,0 / 50,0	16,0	-	10	o. r.	o. r.	o. r.
920191	920192	M63 x 1,5	48,0 / 50,0	15,5	-	5	o. r.	o. r.	o. r.

### PG thread

Part no. grey	Part no. black	Size PG	Suitable for ND	Thread length mm	Spanner size mm	Unit	Net EUR/100 items at a purchase of		
							up to 100	101 - 500	501 - 1000
98440	98363	9	10,0	9,0	-	50	o. r.	o. r.	o. r.
98441	97382	11	12,0	7,7	-	50	o. r.	o. r.	o. r.
98442	98435	13,5	16,0 / 17,0	10,0	-	50	o. r.	o. r.	o. r.
98443	97944	16	16,0 / 17,0	10,0	-	50	o. r.	o. r.	o. r.
98444	98436	21	21,0 / 23,0	11,8	-	50	o. r.	o. r.	o. r.
98445	98437	29	29,0	11,5	-	25	o. r.	o. r.	o. r.
98446	98438	36	36,0 / 37,0	15,5	-	25	o. r.	o. r.	o. r.
98447	98439	48	48,0 / 50,0	16,0	-	10	o. r.	o. r.	o. r.

Dimensions and specifications may be changed without prior notice.

o. r. = on request

## X-ON Electronics

Largest Supplier of Electrical and Electronic Components

*Click to view similar products for [Conduit Fittings & Accessories](#) category:*

*Click to view products by [Helukabel](#) manufacturer:*

Other Similar products are found below :

[S53.35A](#) [260-416](#) [DM0240-1/2A](#) [817.612.0](#) [55506625](#) [1.511.2001.50](#) [1.533.1601.50](#) [1.533.2001.50](#) [52005810](#) [817.716.0](#) [712.015.0](#) [216-420](#) [2276](#) [2663-P](#) [C2070-P](#) [3582V](#) [2643-P](#) [4975](#) [2644-P](#) [90480](#) [2404-P](#) [1047561](#) [2723-P](#) [55506355](#) [1.513.1101.14](#) [55502461](#) [55502462](#) [55502463](#) [55502464](#) [55502473](#) [166-22214](#) [166-22215](#) [166-24800](#) [166-25801](#) [166-30318](#) [SHR-C1](#) [2037 12-20 LGR](#) [2037 16-24 LGR](#) [HP50SS](#) [55502470](#) [SH PA6 BL ND10](#) [5308 946](#) [295.012.0](#) [2955 M16](#) [2955 M25](#) [2955 M32](#) [2955 M40](#) [297.212.0](#) [297.240.0](#) [298.012.0](#)