

DESCRIPTION

The HX3400S uses advanced trench technology to provide excellent $R_{DS(ON)}$, low gate charge and high density cell Design for ultra low on-resistance. This device is suitable for use as a load switch or in PWM applications.

GENERAL FEATURES

- ◇ $V_{DS} = 30V$, $I_D = 5.8A$
- $R_{DS(ON)}(Typ.) = 30m\Omega$ @ $V_{GS} = 2.5V$
- $R_{DS(ON)}(Typ.) = 24m\Omega$ @ $V_{GS} = 4.5V$
- ◇ High power and current handling capability
- ◇ Lead free product is acquired
- ◇ Surface mount package

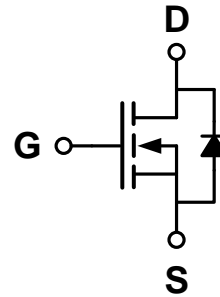
APPLICATION

- ◇ PWM applications
- ◇ Load switch

PACKAGE

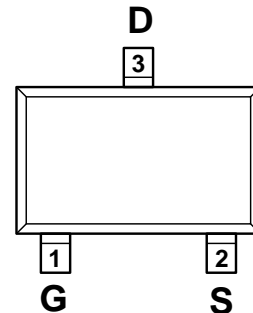
- ◇ SOT-23

SCHEMATIC DIAGRAM



PIN ASSIGNMENT

SOT-23
(TOP VIEW)



ORDERING INFORMATION

Part Number	Storage Temperature	Package	Marking	Devices Per Reel
HX3400S	-55°C to +150°C	SOT-23	A09T.	3000

NOTE: HX2300S : S It stands for SOT-23

ABSOLUTE MAXIMUM RATINGS

($T_A = 25^\circ C$ unless otherwise noted)

parameter	symbol	limit	unit
Drain-source voltage	V_{DS}	30	V
Gate-source voltage	V_{GS}	± 12	V
Continuous drain current ($T_J = 150^\circ C$) ^a	I_D	$T_A = 25^\circ C$	5.8
		$T_A = 70^\circ C$	5
Pulsed drain current ^b	I_{DM}	23.2	A
Continuous source current (diode conduction) ^a	I_S	0.6	
Power dissipation ^a	P_D	$T_A = 25^\circ C$	0.71
		$T_A = 70^\circ C$	0.46
Operating junction and storage temperature range	T_J, T_{stg}	-55—150	°C

THERMAL CHARACTERISTICS

Parameter		Symbol	Typ	Max	Unit
Maximum junction-to-ambient ^a	≤ 5 s	R _{θJA}	120	145	°C/W
	Steady-State		140	175	
Maximum junction-to-foot	Steady-State	R _{θJC}	62	78	

Notes

- a. Surface mounted on 1" x 1" FR4 board
 b. Pulse width limited by maximum junction temperature

ELECTRICAL CHARACTERISTICS (T_A=25°C unless otherwise noted)

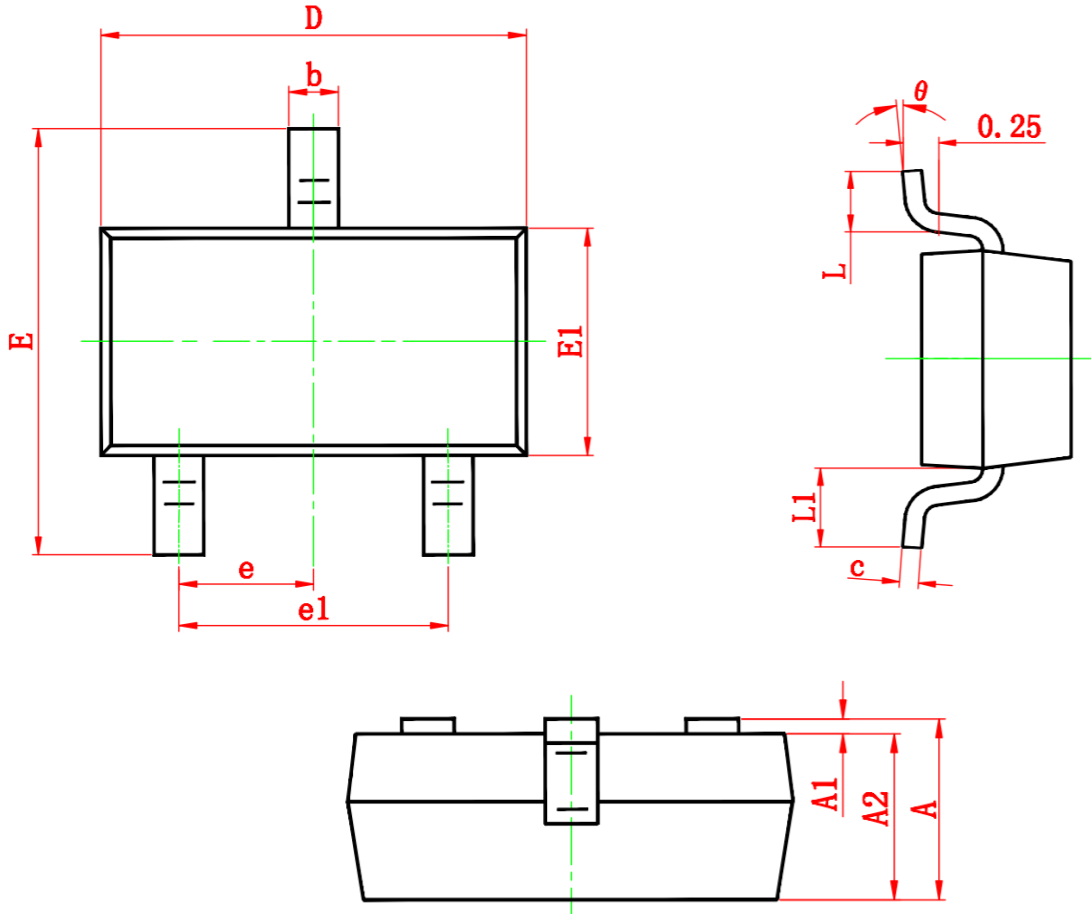
Parameter	Symbol	Condition	Min	Typ	Max	Unit
OFF Characteristics						
Drain-source breakdown voltage	BV _{DSS}	V _{GS} =0V, I _D =250μA	30	-	-	V
Zero gate voltage drain current	I _{DSS}	V _{DS} =30V, V _{GS} =0V	-	-	1	μA
Gate-body leakage	I _{GSS}	V _{DS} =0V, V _{GS} =±12V	-	-	±100	nA
ON Characteristics						
Gate threshold voltage	V _{GS(th)}	V _{DS} =V _{GS} , I _D =250μA	0.5	0.9	1.5	V
Drain-source on-state resistance ^a	R _{DS(ON)}	V _{GS} =4.5V, I _D =5A	-	24	30	mΩ
		V _{GS} =2.5V, I _D =4A		30	45	
Forward transconductance ^a	g _{fs}	V _{DS} =5V, I _D =5.8A	-	33	-	S
Dynamic Characteristics ^b						
Input capacitance	C _{ISS}	V _{DS} =15V, V _{GS} =0V f=1.0MHz	-	630	-	pF
Output capacitance	C _{OSS}		-	76	-	
Reverse transfer capacitance	C _{RSS}		-	55	-	
Switching Characteristics						
Turn-on delay time	t _{D(ON)}	V _{DS} =15V V _{GS} =10V R _L =2.6 ohm R _{GEN} =3ohm	-	3	-	ns
Rise time	t _r		-	2.5	-	
Turn-off delay time	t _{D(OFF)}		-	25	-	
Fall time	t _f		-	4	-	
Total gate charge	Q _g	V _{DS} =15V, I _D =5.8A V _{GS} =4.5V	-	6	-	nC
Gate-source charge	Q _{gs}		-	1.3	-	
Gate-drain charge	Q _{gd}		-	1.8	-	
DRAIN-SOURCE DIODE CHARACTERISTICS						
Diode forward voltage	V _{SD}	V _{GS} =0V, I _S =1A	-	0.72	1.2	V

Notes

- a. Pulse test: Pulse width ≤ 300 μs, duty cycle ≤ 2 %
 b. Guaranteed by design, not subject to production testing

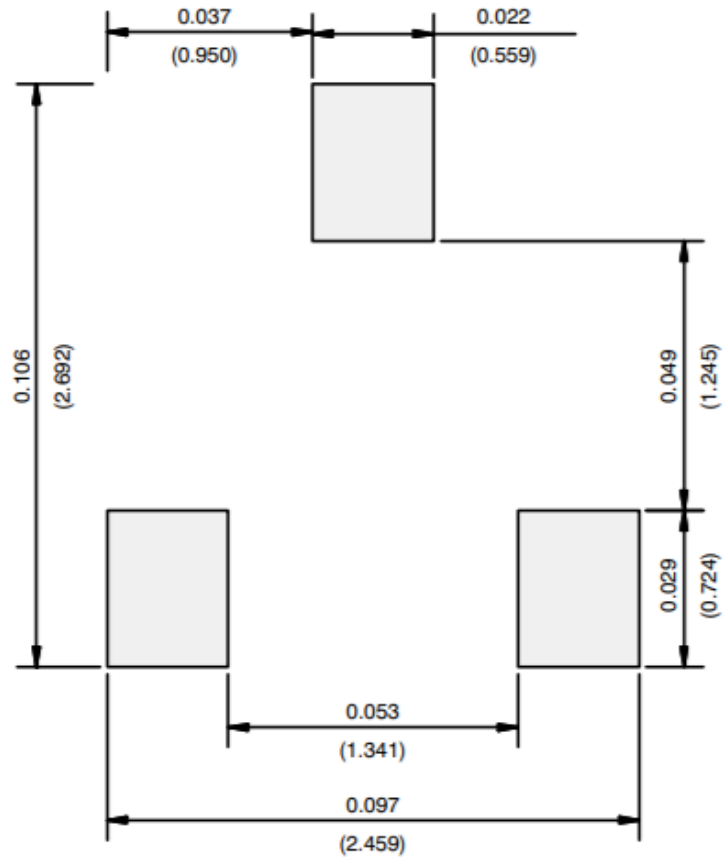
PACKAGE INFORMATION

- SOT-23



Symbol	Dimensions In Millimeters		Dimensions In Inches	
	Min.	Max.	Min.	Max.
A	0.900	1.150	0.035	0.045
A1	0.000	0.100	0.000	0.004
A2	0.900	1.050	0.035	0.041
b	0.300	0.500	0.012	0.020
c	0.080	0.150	0.003	0.006
D	2.800	3.000	0.110	0.118
E	2.250	2.550	0.089	0.100
E1	1.200	1.400	0.047	0.055
e	0.950 TYP.		0.037 TYP.	
e1	1.800	2.000	0.071	0.079
L	0.300	0.500	0.012	0.020
L1	0.550 REF.		0.022 REF.	
θ	0°	8°	0°	8°

RECOMMENDED MINIMUM PADS FOR SOT-23



Recommended Minimum Pads
Dimensions in Inches/(mm)

X-ON Electronics

Largest Supplier of Electrical and Electronic Components

Click to view similar products for [MOSFET](#) category:

Click to view products by [hengjiaxing](#) manufacturer:

Other Similar products are found below :

[IRFD120](#) [IRFY240C](#) [JANTX2N5237](#) [BUK455-60A/B](#) [MIC4420CM-TR](#) [VN1206L](#) [NDP4060](#) [SI4482DY](#) [IPS70R2K0CEAKMA1](#)
[SQD23N06-31L-GE3](#) [TK16J60W,S1VQ\(O](#) [2SK2614\(TE16L1,Q\)](#) [DMN1017UCP3-7](#) [EFC2J004NUZTDG](#) [DMN1053UCP4-7](#) [SQJ469EP-](#)
[T1-GE3](#) [NTE2384](#) [DMC2700UDMQ-7](#) [DMN2080UCB4-7](#) [DMN61D9UWQ-13](#) [US6M2GTR](#) [DMN31D5UDJ-7](#) [DMP22D4UFO-7B](#)
[DMN1006UCA6-7](#) [DMN16M9UCA6-7](#) [STF5N65M6](#) [IRF40H233XTMA1](#) [STU5N65M6](#) [DMN6022SSD-13](#) [DMN13M9UCA6-7](#)
[DMTH10H4M6SPS-13](#) [DMN2990UFB-7B](#) [IPB80P04P405ATMA2](#) [2N7002W-G](#) [MCAC30N06Y-TP](#) [MCQ7328-TP](#) [NTMC083NP10M5L](#)
[NVMFS2D3P04M8LT1G](#) [BXP7N65D](#) [BXP4N65F](#) [AOL1454G](#) [WMJ80N60C4](#) [BXP2N20L](#) [BXP2N65D](#) [BXT1150N10J](#) [BXT1700P06M](#)
[TSM60NB380CP](#) [ROG](#) [RQ7L055BGTCR](#) [DMNH15H110SK3-13](#) [SLF10N65ABV2](#)