

DUAL OPERATIONAL AMPLIFIER

DESCRIPTION

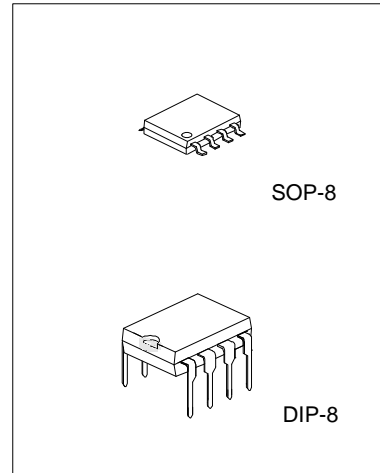
The LM358 consists of two independent high gain, internally frequency compensated operational amplifier. It can be operated from a single power supply and also split power supplies.

FEATURES

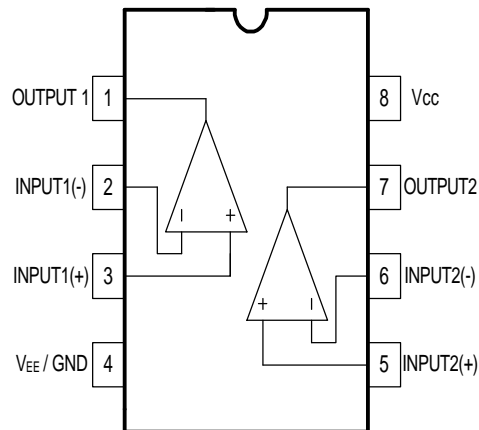
- *Internally frequency compensated for unity gain.
- *Wide power supply range 3V - 30V.
- *Input common-mode voltage range include ground.
- *Large DC voltage gain.

APPLICATIONS

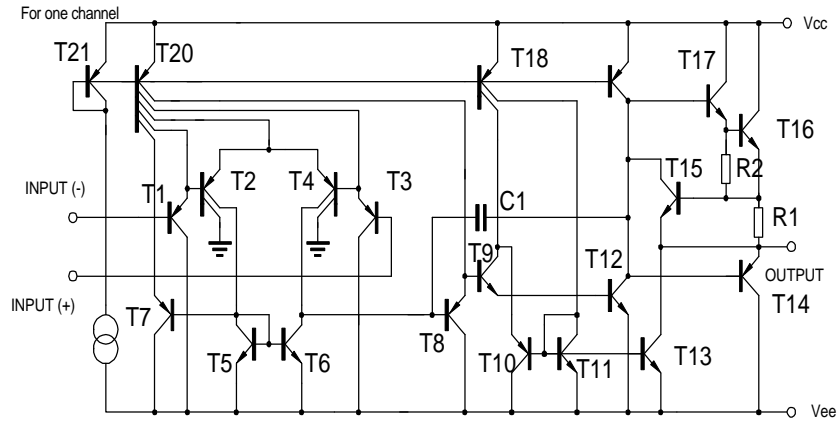
- *General purpose amplifier.
- *Transducer amplifier.



PIN CONFIGURATIONS



BLOCK DIAGRAM



ABSOLUTE MAXIMUM RATINGS

PARAMETER	SYMBOL	VALUE	UNIT
Supply Voltage	V _{CC}	+15 or 30	V
Differential Input Voltage	V _{I(DIFF)}	30	V
Input Voltage	V _I	-0.3 ~ +30	V
Output Short to Ground		Continuous	
Operating Temperature Range	TOPR	0 ~ +70	°C
Storage Temperature Range	TSTG	-65 ~ +150	°C

ELECTRICAL CHARACTERISTICS ($V_{CC}=5.0V, V_{EE}=GND, T_A=25^\circ C$, unless otherwise specified) ©

PARAMETER	SYMBOL	TEST CONDITION	MIN	TYP	MAX	UNIT
Input Offset Voltage	VIO	$V_{CM}=0V$ to $V_{CC}-1.5V$ $V_{O(P)}=1.4V, R_S=0\Omega$		2.9	6.0	mV
Input Offset Current	IIO			5	50	nA
Input Bias Current	IBIAS			45	250	nA
Input Common Mode Voltage	VI(R)	$V_{CC}=30V$	0		$V_{CC}-1.5$	V
Power Supply Current	ICC	$R_L=\infty, V_{CC}=30V$		0.8	2.0	mA
		$R_L=\infty$, Full Temperature Range		0.5	1.2	mA
Large Signal Voltage Gain	GV	$V_{CC}=15V, R_L \geq 2K\Omega$ $V_{O(P)}=1V$ to $11V$	25	100		V/mV
Output Voltage Swing	VO(H)	$V_{CC}=30V, R_L=2K\Omega$	24			V
		$V_{CC}=30V, R_L=10K\Omega$	25			V
	VO(L)	$V_{CC}=5V, R_L \geq 10K\Omega$		5	20	mV
Common Mode Rejection Ratio	CMRR		65	80		dB
Power Supply Rejection Ratio	PSRR		65	100		dB
Channel Separation	CS	$f=1KHZ$ to $20KHZ$		120		dB
Short Circuit Current to Ground	ISC			40	60	mA
Output Current	ISOURCE	$V_{I(+)}=1V, V_{I(-)}=0V$ $V_{CC}=15V, V_{O(P)}=2V$	20			mA
	ISINK	$V_{I(+)}=0V, V_{I(-)}=1V$ $V_{CC}=15V, V_{O(P)}=2V$	5			mA
Differential Input Voltage	VI(DIFF)				V_{CC}	V

TYPICAL PERFORMANCE CHARACTERISTICS

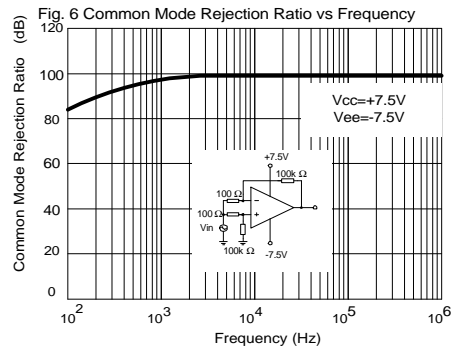
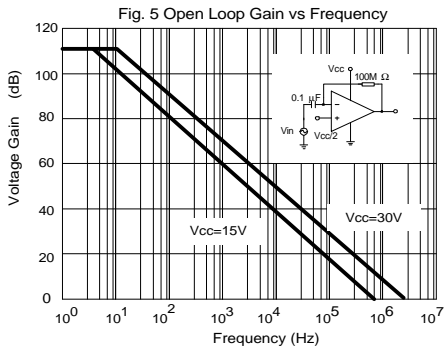
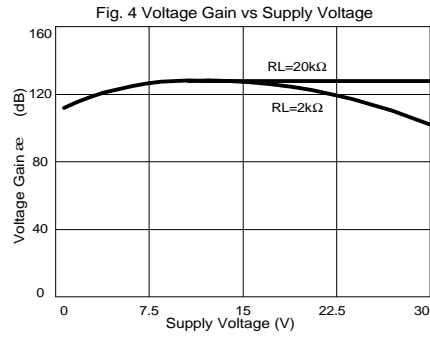
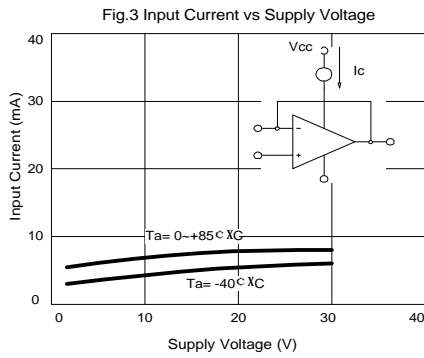
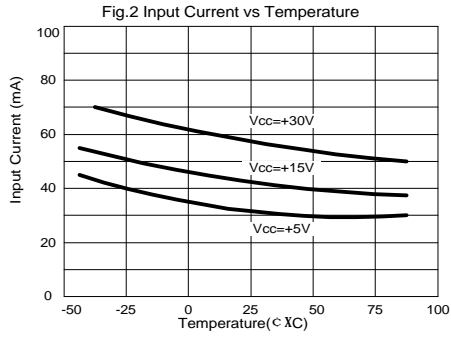
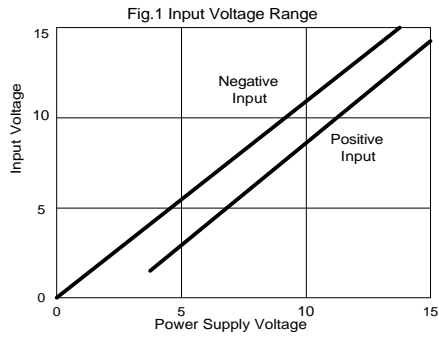


Fig. 7 Voltage Follower Pulse Response

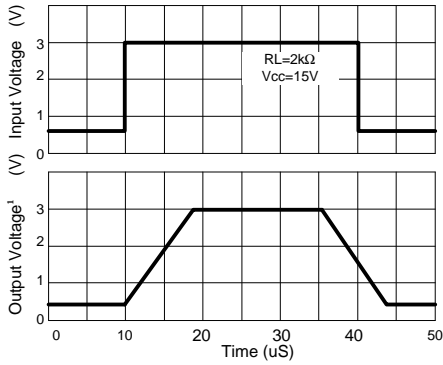


Fig. 8 Voltage Follower Response (Small Signal)

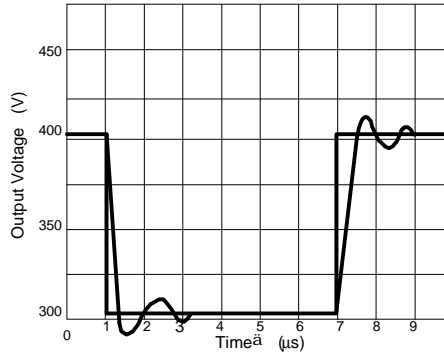


Fig. 9 Gain vs Large Signal Frequency

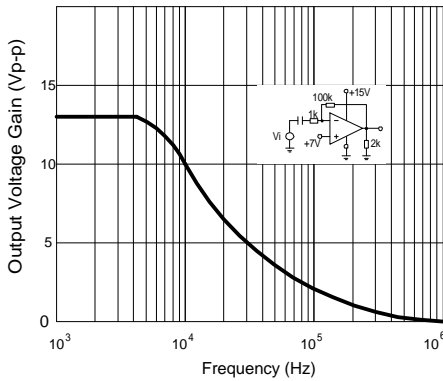


Fig. 10 Output Current Sinking vs Output Voltage

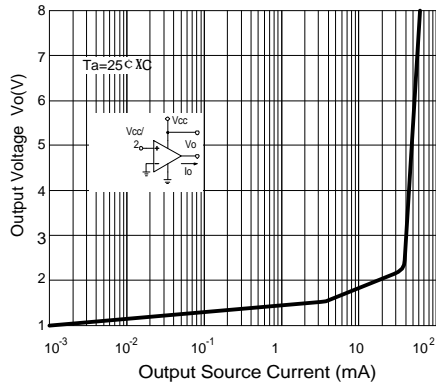


Fig. 11 Output Sink Current vs Output Voltage

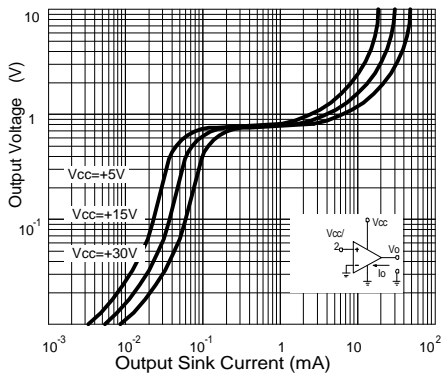
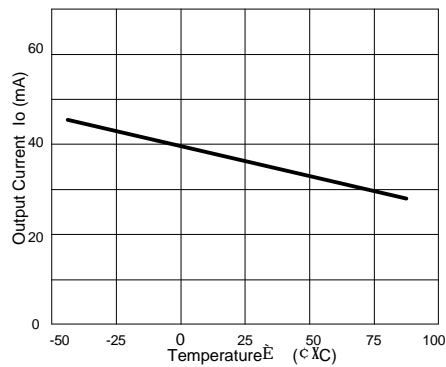


Fig. 12 Current Limiting vs Temperature



X-ON Electronics

Largest Supplier of Electrical and Electronic Components

Click to view similar products for [Operational Amplifiers - Op Amps](#) category:

Click to view products by [hengjiaxing](#) manufacturer:

Other Similar products are found below :

[430227FB](#) [LT1678IS8](#) [058184EB](#) [NCV33202DMR2G](#) [NJM324E](#) [M38510/13101BPA](#) [NTE925](#) [AZV358MTR-G1](#) [AP4310AUMTR-AG1](#)
[AZV358MMTR-G1](#) [SCY33178DR2G](#) [NCV20034DR2G](#) [NTE778S](#) [NTE871](#) [NTE937](#) [NJU7057RB1-TE2](#) [SCY6358ADR2G](#)
[NJM2904CRB1-TE1](#) [UPC4570G2-E1-A](#) [UPC4741G2-E1-A](#) [UPC4574GR-9LG-E1-A](#) [NJM8532RB1-TE1](#) [EL2250CS](#) [EL5100IS](#) [EL5104IS](#)
[EL5127CY](#) [EL5127CYZ](#) [EL5133IW](#) [EL5152IS](#) [EL5156IS](#) [EL5162IS](#) [EL5202IY](#) [EL5203IY](#) [EL5204IY](#) [EL5210CS](#) [EL5210CYZ](#)
[EL5211IYE](#) [EL5220CY](#) [EL5223CLZ](#) [EL5223CR](#) [EL5224ILZ](#) [EL5227CLZ](#) [EL5227CRZ](#) [EL5244CS](#) [EL5246CS](#) [EL5246CSZ](#) [EL5250IY](#)
[EL5251IS](#) [EL5257IS](#) [EL5260IY](#)