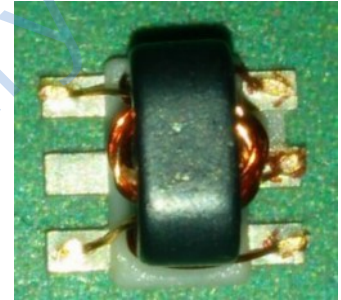


H2WBC1-1TL

Features:

- ◆ 1: 1CT Impedance
- ◆ 50Ω Characteristic Impedance
- ◆ Frequency: 0.3to750 MHz
- ◆ RF power: 0.25W
- ◆ DC current: 30mA
- ◆ Operating temperature range: -40°C to +85°C
- ◆ Storage temperature range: -55°C to +100°C



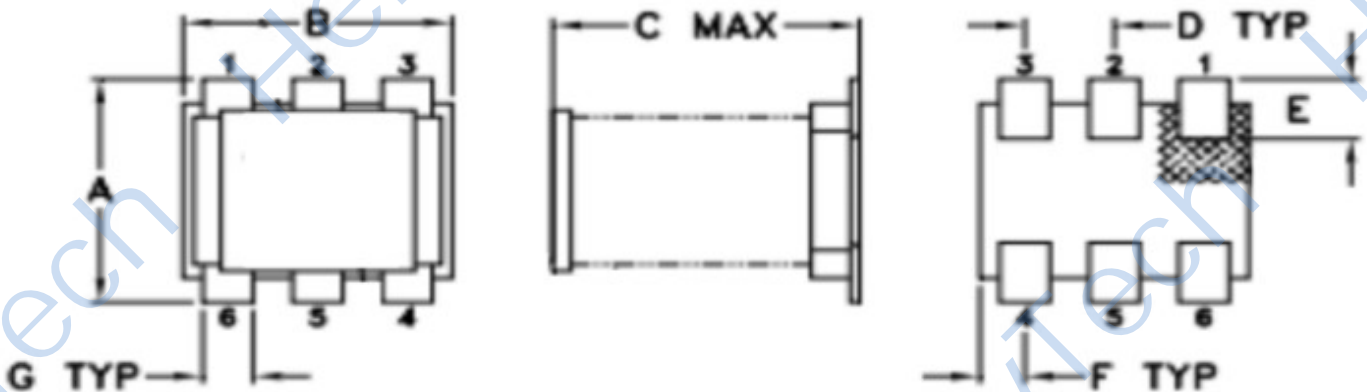
0.3-750MHz

50 1: 1CT Flux Coupled Transformer

Applications:

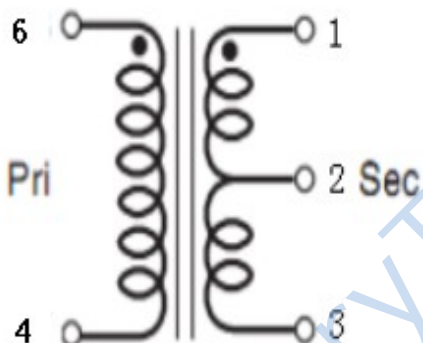
- ◆ For broadband and wireless communications
- ◆ For VHF/UHF receivers/transmitters and push-pull amplifiers

Dimension Diagram (Unit:mm) :

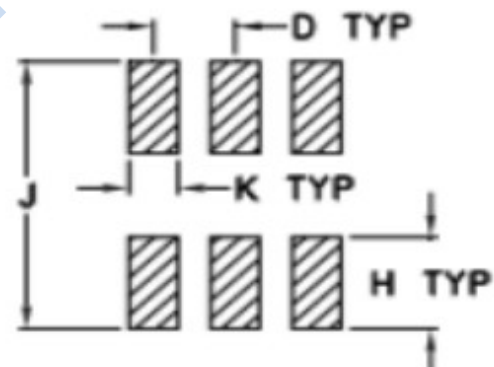


A:4.1±0.20 B:3.8±0.20 C:2.75±0.20 D:1.3±0.05 E:1.02±0.05 F:0.64±0.05 G:1.65±0.05

Electrical structure:



Recommended layout:

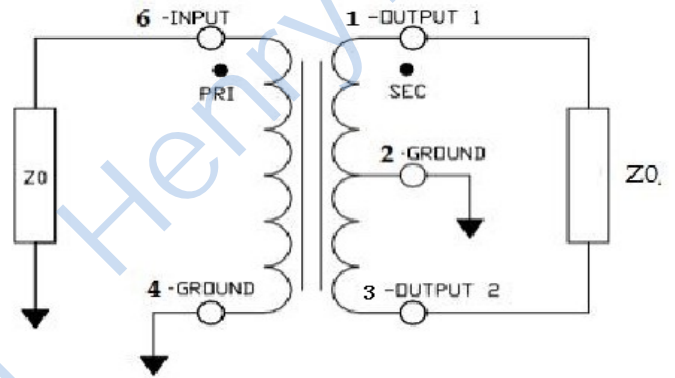


D:1.3±0.05 H:1.65±0.05 J:4.83±0.05 K:0.76±0.05

Pin configuration

| Pin No. | Function |
|---------|--------------------------|
| 1 | Secondary dot (Output 1) |
| 2 | Centre tap (Ground) |
| 3 | Secondary (Output 2) |
| 4 | Primary dot (Ground) |
| 6 | Primary (Input) |

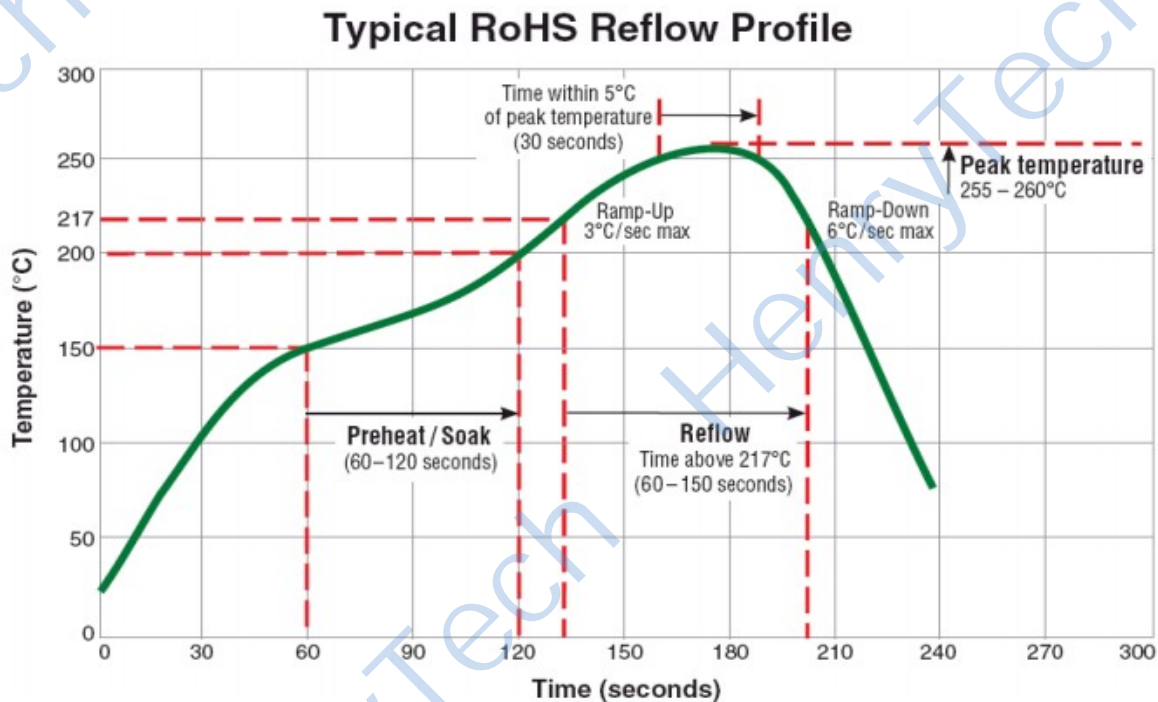
Application circuit :



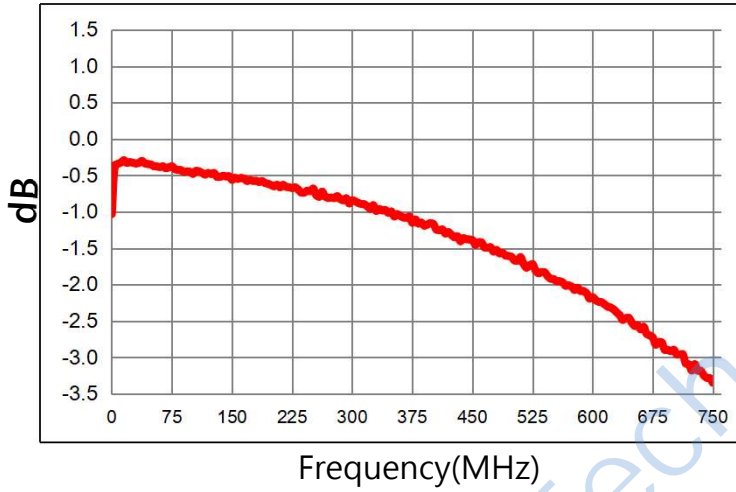
Electrical Specifications : $T_A=25$ $Z_0=50$

| Parameter | Test Conditions | Units | Min | Typ | Max |
|----------------------|-----------------|---------|-------|-------|-------|
| Main line Loss(out1) | 0.3-750MHz | dB | — | 0.5 | 3.8 |
| Main line Loss(out2) | 0.3-750MHz | dB | — | 0.5 | 1.5 |
| Amplitude Balance | 0.3-750MHz | dB | — | 0.5 | 3.0 |
| Phase Balance | 0.3-750MHz | Degrees | — | 5.0 | 10.00 |
| Input Return Loss | 0.3-750MHz | dB | 10.00 | 15.00 | — |

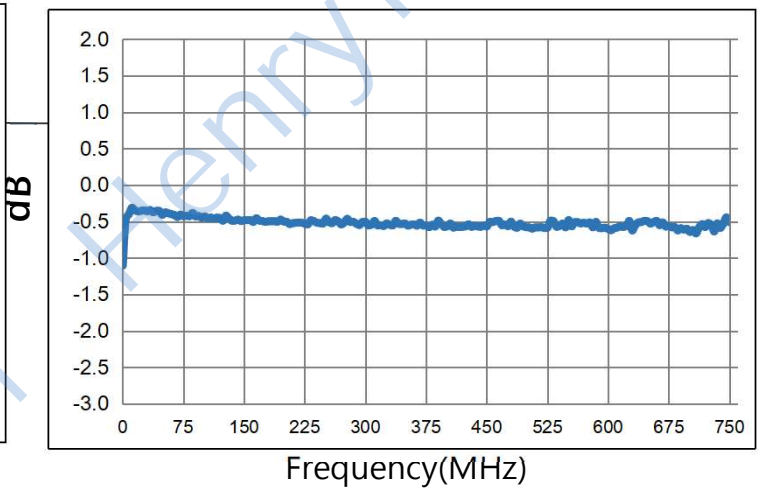
Recommended Soldering Temperature Graph:



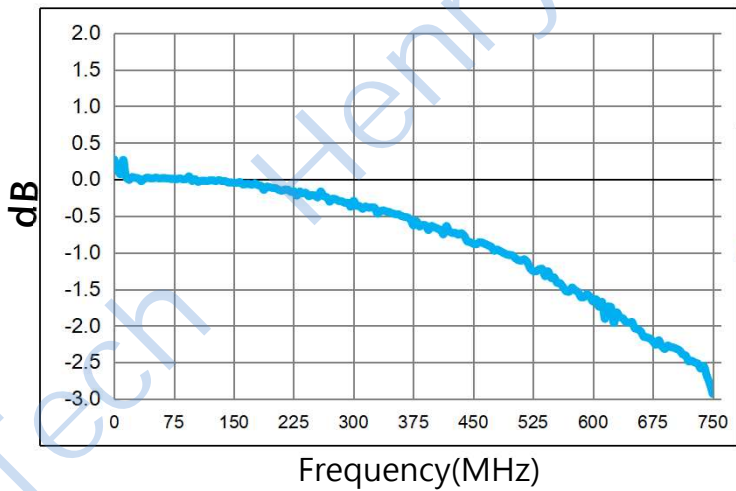
Main line Loss(out1)



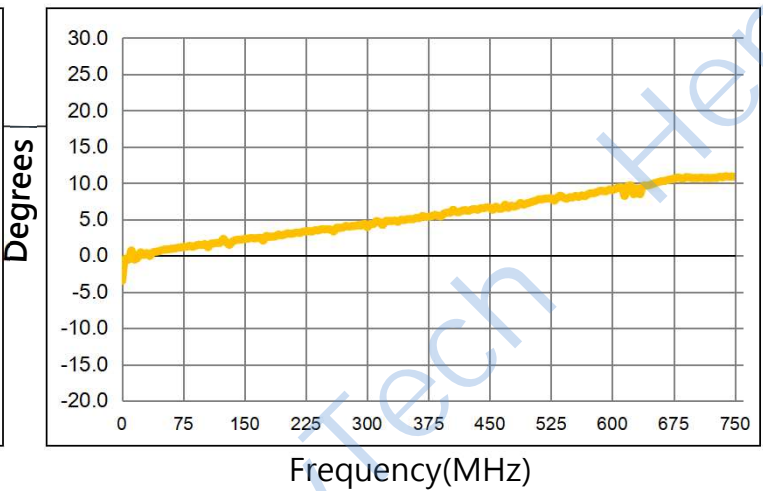
Main line Loss(out2)



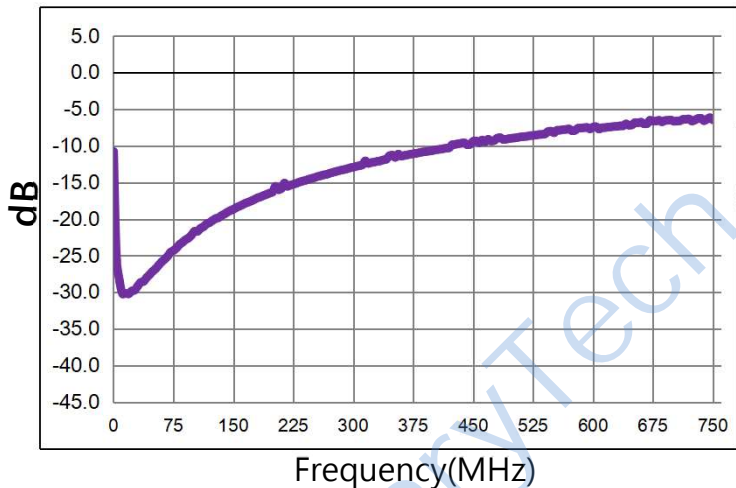
Amplitude Balance



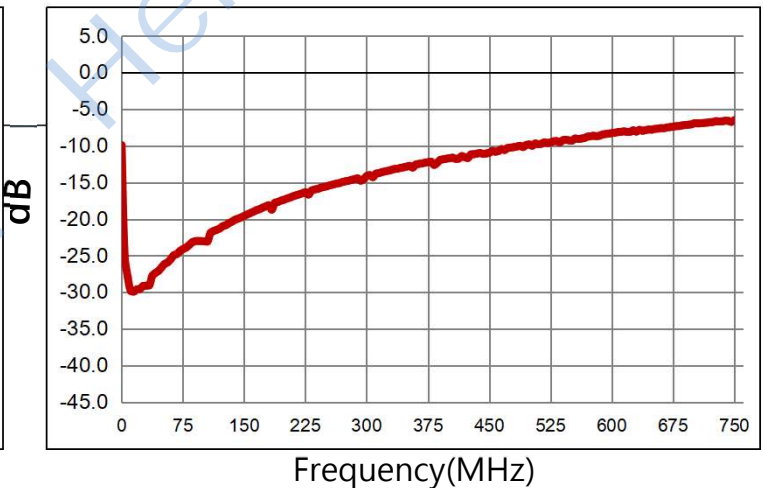
Phase Balance



Input Return Loss



Sdd22



X-ON Electronics

Largest Supplier of Electrical and Electronic Components

Click to view similar products for [Signal Conditioning](#) category:

Click to view products by [HenryTech](#) manufacturer:

Other Similar products are found below :

[PD0409J5050S2HF](#) [HHS-109-PIN](#) [AFS14A35-1591.50-T3](#) [JP510S](#) [LFB322G45SN1A504](#) [SF2159E](#) [FM-104-PIN](#) [CER0813B](#)

[MAPDCC0005](#) [3A325](#) [BD0810N50100AHF](#) [DC0710J5005AHF](#) [DC2327J5005AHF](#) [LFL15869MTC1B787](#) [X3C19F1-20S](#)

[CDBLB455KCAX39-B0](#) [RF1353C](#) [051157-0000](#) [PD0922J5050D2HF](#) [600S150FTRB](#) [1E1305-3](#) [1F1304-3S](#) [TP-103-PIN](#)

[BD1222J50200AHF](#) [BD1722J50100AHF](#) [2450DP39K5400E](#) [BD0810J50150AHF](#) [BD1722J50200AHF](#) [DS-327-PIN](#) [MACP-008125-](#)

[CK07F0](#) [DS-329-PIN](#) [DS-313-PIN](#) [TP-104-PIN](#) [TP-101-PIN](#) [HH-128-PIN](#) [8594810000](#) [T-1000-N](#) [JP506S](#) [XC0900P-10S](#) [XC0900B-30S](#)

[CHE1260-QAG](#) [11305-10](#) [5962-9091202MXA](#) [3A412S](#) [X3C06A4-03S](#) [B39000Z3410A4](#) [DSS-333-PIN](#) [PD2425J5050S2HF](#)

[B39242B4360P810](#) [B39781B8005P810](#)