

H3-ADT1-1WT+

0.4-800MHz 75Ω 1:1 Balun

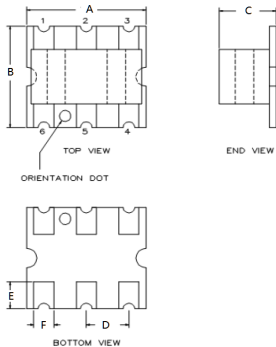
APPLICATIONS

• Ideally suitable for CATV broadband applications.

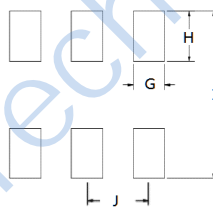
FEATURES

- Surface mount
- Impedance ratio: 1:1
- Excellent performance under DC bias current, also when current flows is imbalanced through outputs
- RoHS compliant and Pb free
- Available on tape and reel

DIMENSIONS



Land Pattern



A	B	C
7.11	6.35	2.85Max
D	E	F
2.54	1.70	1.20

G	H	I
1.30	2.15	6.71
J		
2.54		

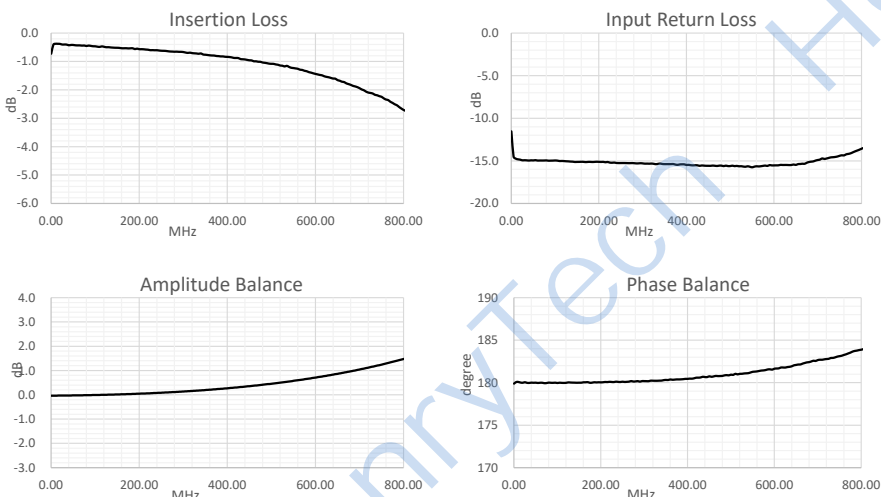
Unless otherwise stated dimensions are in mm

Tolerance: .xx ± 0.25, .xxx ± 0.05

ELECTRICAL SPECIFICATIONS@25°C:

Parameters (P#: ENA PORT)	frequency band	Min.	Typ.	Max.	Unit
Port Impedance, Z0 (P1 / P2 / P3)			75 / 37.5/ 37.5		Ohm
Insertion Loss	0.4-800MHz		2.5	3.0	dB
	0.5-700MHz		1.8	2.3	dB
	1-400MHz		0.8	1.3	dB

TEST CURVE



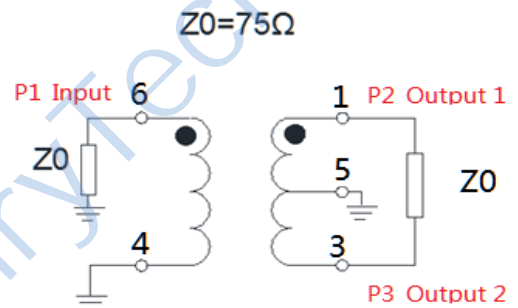
FUNCTIONAL SCHEMATIC



PIN CONFIGURATION

Pin No.	Function
1	Secondary Dot (output1)
2	Not used(ground)
3	Secondary (output2)
4	Primary (ground)
5	Center tap (ground)
6	Primary Dot (input)

APPLICATION & TEST CIRCUIT



ABSOLUTE MAXIMUM RATINGS

Parameter	Value
Input RF Power	0.5W Max
DC Current	30mA Max
Operating Temperature Range	-20 to 85°C
Storage Temperature Range	-55 to 100°C

Tel: +86-28-85589664

E-mail: mr_li@henglitaitech.com

Web: www.hltchips.com

Adress:No.198 Tianqin East Street, Gaoxin West District, Chengdu City

X-ON Electronics

Largest Supplier of Electrical and Electronic Components

Click to view similar products for [Signal Conditioning](#) category:

Click to view products by [HenryTech](#) manufacturer:

Other Similar products are found below :

[PD0409J5050S2HF](#) [HHS-109-PIN](#) [AFS14A35-1591.50-T3](#) [JP510S](#) [LFB322G45SN1A504](#) [SF2159E](#) [FM-104-PIN](#) [CER0813B](#)
[MAPDCC0005](#) [3A325](#) [BD0810N50100AHF](#) [DC0710J5005AHF](#) [DC2327J5005AHF](#) [LFL15869MTC1B787](#) [X3C19F1-20S](#)
[CDBLB455KCAX39-B0](#) [RF1353C](#) [051157-0000](#) [PD0922J5050D2HF](#) [600S150FTRB](#) [1E1305-3](#) [1F1304-3S](#) [TP-103-PIN](#)
[BD1222J50200AHF](#) [BD1722J50100AHF](#) [2450DP39K5400E](#) [BD0810J50150AHF](#) [BD1722J50200AHF](#) [DS-327-PIN](#) [MACP-008125-](#)
[CK07F0](#) [DS-329-PIN](#) [DS-313-PIN](#) [TP-104-PIN](#) [TP-101-PIN](#) [HH-128-PIN](#) [8594810000](#) [T-1000-N](#) [JP506S](#) [XC0900P-10S](#) [XC0900B-30S](#)
[CHE1260-QAG](#) [11305-10](#) [5962-9091202MXA](#) [3A412S](#) [X3C06A4-03S](#) [B39000Z3410A4](#) [DSS-333-PIN](#) [PD2425J5050S2HF](#)
[B39242B4360P810](#) [B39781B8005P810](#)