

This document contains proprietary information and such information may not be disclosed to others for any purposes, not used for sales/marketing/procurement purposes without written permission

REV	DESCRIPTION OF REVISION	ECN NO.	BY	DATE	APPROVED
A	Initial Release	—	H.wei	17/03/15	17/03/15

1 Electrical

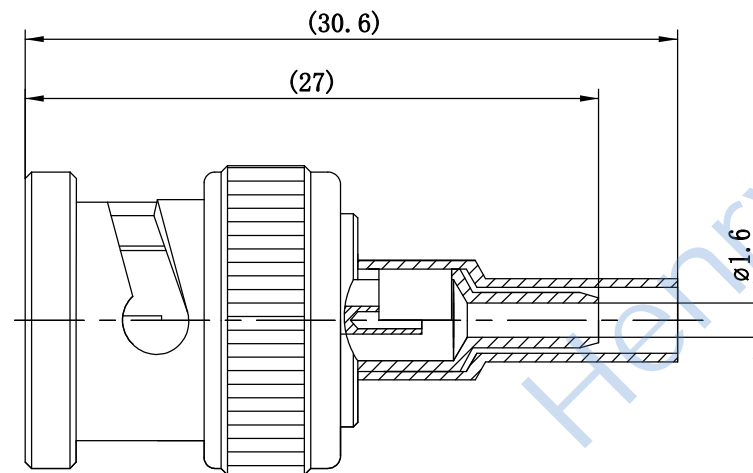
- 1.1 Frequency: 0-4GHz
- 1.2 Impedance: 50 Ω
- 1.3 Working voltage: ≤500V
- 1.4 Insulation resistance: ≥5000MΩ
- 1.5 Dielectric withstanding voltage: 1500V
- 1.6 Center contact resistance ≤ 1.5MΩ
- 1.7 Outer contact resistance ≤ 1MΩ
- 1.8 VSWR: ≤1.15+0.05F

2 Environmental&Mechanical

- 2.1 Temperature range -40℃~+125℃
- 2.2 RoHs Compliant
- 2.3 Durability >500 cycles

3 Material&Finish

- 3.1 Inner Contact: brass, gold plated
- 3.2 Outer Contact: Brass, nickel plated
- 3.3 Insulators: Teflon



Tel: Lee +86-28-85589664

Web: www.hltchips.com

Notes:

- 1. ALL SPECIFICATIONS ARE SUBJECT TO CHANGE NOTICE AT ANY TIME
- 2. CUSTOMER OUTLINE DRAWING FOR REFERENCE ONLY

DRAWN: H.wei 17/03/15 ENGINEER: L.yu 17/03/15 APPROVED: W.yi 17/03/15 TOLERANCES UNLESS OTHERWISE SPECIFIED X ±0.50 .X ±0.20 .XX ±0.10 ANGLES ±1°	TITLE: RF Coaxial Connector BNC male Right Angle Conn. for RG316 Cable Crimp Sky window	
PART NO: HL-BNC-J3CYA	SIZE: A4	SCALE: N/A
		SHEET: 1/1
		REV: A

X-ON Electronics

Largest Supplier of Electrical and Electronic Components

Click to view similar products for [RF Connectors / Coaxial Connectors](#) category:

Click to view products by [HenryTech](#) manufacturer:

Other Similar products are found below :

[89674-0827](#) [6059674-1](#) [630059-000](#) [6501-1071-002](#) [6769](#) [7002-1541-010](#) [7002-1572-002](#) [7004-1512-000](#) [7009-1511-004](#) [7101-1541-010](#)
[7101-1571-002](#) [7105-1521-002](#) [7145-1521-002](#) [7203-1571-003](#) [7209-1511-011](#) [7210-1511-040](#) [7242-1511-000](#) [7405-1521-005](#) [7405-1521-](#)
[802](#) [804S01D04M040](#) [8527](#) [8547](#) [FS11V](#) [877931](#) [8808-1511-001](#) [9049-9513-000](#) [9074-9513-000](#) [PL11C-026](#) [PL40-36](#) [9408-1113-000](#)
[980-8666-005](#) [11 SMA-50-2-6 / 111 NE](#) [11 SMA-50-3-6 / 111 NE](#) [11 SMA-50-2-6/111 NH](#) [1-201144-1](#) [120919](#) [R107003010W](#) [R112186000](#)
[R113053000W](#) [R113082097](#) [R113236000](#) [R114083000](#) [R114670000W](#) [R123415000W](#) [R124072220W](#) [R124076320](#) [R124076450](#)
[R124175123](#) [R124176123W](#) [R125075000W](#)