

1

2

3

4

This document contains proprietary information and such information may not be disclosed to others for any purposes,  
not used for sales/marketing/procurement purposes without written permission

| REV | DESCRIPTION OF REVISION | ECN NO. | BY    | DATE    | APPROVED |
|-----|-------------------------|---------|-------|---------|----------|
| A   | Initial Release         | —       | H.wei | 12/7/06 | 12/7/06  |

### 1 Electrical

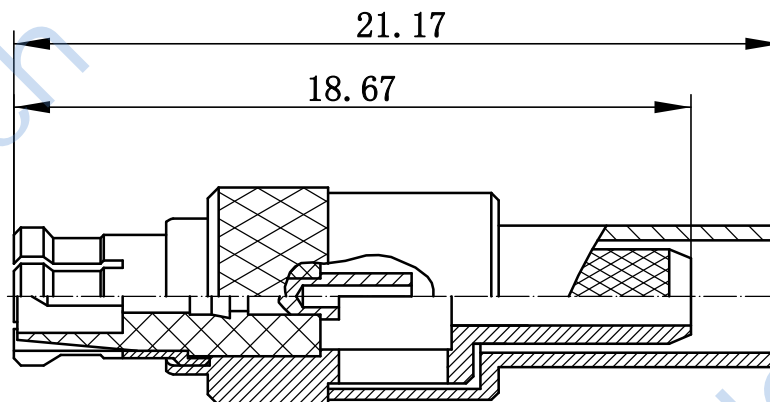
|                                     |                     |
|-------------------------------------|---------------------|
| 1.1 Impedence                       | 50 $\Omega$         |
| 1.2 Frequency                       | DC-3GHz             |
| 1.3 Dielectric withstanding voltage | 750V (volts RMS)    |
| 1.4 Center contact resistance       | $\leq 5M \Omega$    |
| 1.5 Outer contact resistance        | $\leq 2.5M \Omega$  |
| 1.6 Insulation resistance:          | $\geq 1000M \Omega$ |

### 2 Environmental&Mechanical

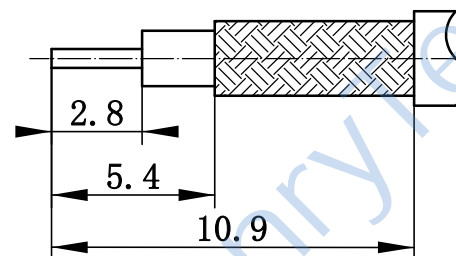
|                       |               |
|-----------------------|---------------|
| 2.1 Temperature range | -45°C ~ 125°C |
| 2.2 RoHs Compliant    |               |
| 2.3 Durability        | >500 cycles   |

### 3 Materials&Finish

|                     |                               |
|---------------------|-------------------------------|
| 3.1 Body:           | Brass, Gold plated            |
| 3.2 Insulator:      | Teflon                        |
| 3.3 Contact Pin:    | Brass, gold plated            |
| 3.4 Contact spring: | Beryllium copper, gold plated |



Cable Stripping Dimension


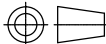


Tel: Lee +86-28-85589664

Web: www.hltchips.com

### Notes:

- ALL SPECIFICATIONS ARE SUBJECT TO CHANGE NOTICE AT ANY TIME
- CUSTOMER OUTLINE DRAWING FOR REFERENCE ONLY

|                                       |   |   |             |        |     |
|---------------------------------------|---|---|-------------|--------|-----|
| DRAWN: H.wei 12/07/06                 | TITLE:  |                                |             |        |     |
| ENGINEER: L.yu 12/07/06               | RF Coaxial Connector                          |   |             |        |     |
| APPROVED: W.yi 12/07/06               | M CX male Str. Conn.<br>For RG316/RG174 cable |  DIMENSION IN MILLIMETERS (mm) |             |        |     |
| TOLERANCES UNLESS OTHERWISE SPECIFIED |   |   |             |        |     |
| X                                     | $\pm 0.50$                                    | PART NO:  | HL-MCX-J3CA | SIZE:  | A4  |
| .X                                    | $\pm 0.20$                                    | SCALE:  | N/A         | SHEET: | 1/1 |
| .XX                                   | $\pm 0.10$                                    | REV:  | A           |        |     |
| ANGLES                                | $\pm 1^\circ$                                 |   |             |        |     |

1

2

3

4

## X-ON Electronics

Largest Supplier of Electrical and Electronic Components

*Click to view similar products for [RF Connectors](#) / [Coaxial Connectors](#) category:*

*Click to view products by [HenryTech](#) manufacturer:*

Other Similar products are found below :

[89674-0827](#) [6059674-1](#) [630059-000](#) [6501-1071-002](#) [6769](#) [7002-1541-010](#) [7002-1572-002](#) [7004-1512-000](#) [7009-1511-004](#) [7101-1541-010](#)  
[7101-1571-002](#) [7105-1521-002](#) [7145-1521-002](#) [7203-1571-003](#) [7209-1511-011](#) [7210-1511-040](#) [7242-1511-000](#) [7405-1521-005](#) [7405-1521-](#)  
[802](#) [804S01D04M040](#) [8527](#) [8547](#) [FS11V](#) [877931](#) [8808-1511-001](#) [9049-9513-000](#) [9074-9513-000](#) [PL11C-026](#) [PL40-36](#) [9408-1113-000](#)  
[980-8666-005](#) [11 SMA-50-2-6 / 111 NE](#) [11 SMA-50-3-6 / 111 NE](#) [11 SMA-50-2-6/111 NH](#) [1-201144-1](#) [120919](#) [R107003010W](#) [R112186000](#)  
[R113053000W](#) [R113082097](#) [R113236000](#) [R114083000](#) [R114670000W](#) [R123415000W](#) [R124072220W](#) [R124076320](#) [R124076450](#)  
[R124175123](#) [R124176123W](#) [R125075000W](#)