

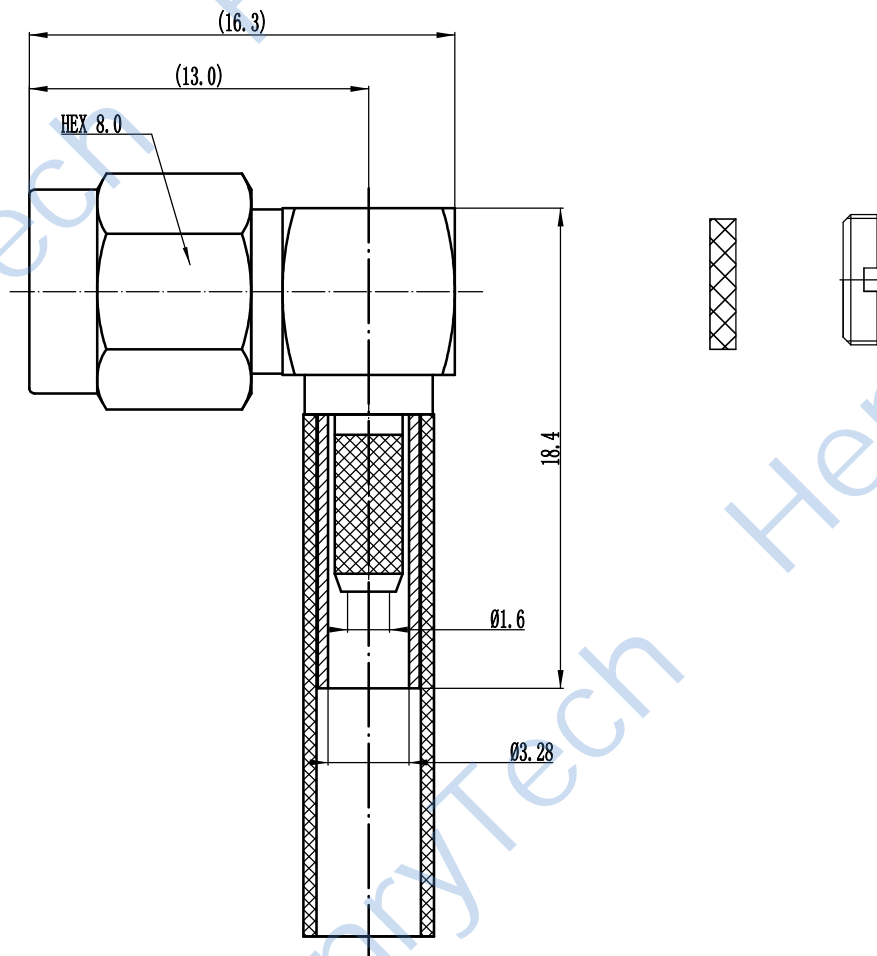
This document contains proprietary information and such information may not be disclosed to others for any purposes, not used for sales/marketing/procurement purposes without written permission

REV	DESCRIPTION OF REVISION	ECN NO.	BY	DATE	APPROVED
A	Initial Release	—	H.wei	12/7/13	12/7/13

- 1 Electrical**
- 1.1 Impedence 50 Ω
  - 1.2 Dielectric withstanding voltage 1000V(volts RMS)
  - 1.3 Center contact resistance  $\leq 3M\Omega$
  - 1.4 Outer contact resistance  $\leq 2M\Omega$
  - 1.5 Insulation resistance:  $\geq 5000M\Omega$
  - 1.6 Frequency 0~3Ghz

- 2 Environmental&Mechanical**
- 2.1 Temperature range -45℃~125℃
  - 2.2 RoHs Compliant
  - 2.3 Durability >500 cycles

- 3 Materials&plating**
- 3.1 Body: Brass, Gold Plated
  - 3.2 Insulator: Teflon
  - 3.3 Contact Pin: Brass, Gold Plated
  - 3.4 Washer: Phosphor, Gold Plated
  - 3.5 Hex Nut: Brass, Gold Plated



Tel:Lee +86-28-85589664

Web:www.hltchips.com

**Notes:**

- 1. ALL SPECIFICATIONS ARE SUBJECT TO CHANGE NOTICE AT ANY TIME
- 2. CUSTOMER OUTLINE DRAWING FOR REFERENCE ONLY

<b>DRAWN:</b> H.wei 12/07/13
<b>ENGINEER:</b> L.yu 12/07/13
<b>APPROVED:</b> W.yi 12/07/13
TOLERANCES UNLESS OTHERWISE SPECIFIED
X ±0.50
.X ±0.20
.XX ±0.10
ANGLES ±1°

<b>TITLE:</b>
RF Coaxial Connector
SMA Male R/A Conn. For RG316
<b>PART NO:</b> HL-SMA-JW3F



DIMENSION IN MILLIMETERS (mm)

<b>SIZE:</b> A4	<b>SCALE:</b> N/A	<b>SHEET:</b> 1/1	<b>REV:</b> A
-----------------	-------------------	-------------------	---------------

## X-ON Electronics

Largest Supplier of Electrical and Electronic Components

*Click to view similar products for [RF Connectors](#) / [Coaxial Connectors](#) category:*

*Click to view products by [HenryTech](#) manufacturer:*

Other Similar products are found below :

[89674-0827](#) [6059674-1](#) [630059-000](#) [6501-1071-002](#) [6769](#) [7002-1541-010](#) [7002-1572-002](#) [7004-1512-000](#) [7009-1511-004](#) [7101-1541-010](#)  
[7101-1571-002](#) [7105-1521-002](#) [7145-1521-002](#) [7203-1571-003](#) [7209-1511-011](#) [7210-1511-040](#) [7242-1511-000](#) [7405-1521-005](#) [7405-1521-](#)  
[802](#) [804S01D04M040](#) [8527](#) [8547](#) [FS11V](#) [877931](#) [8808-1511-001](#) [9049-9513-000](#) [9074-9513-000](#) [PL11C-026](#) [PL40-36](#) [9408-1113-000](#)  
[980-8666-005](#) [11 SMA-50-2-6 / 111 NE](#) [11 SMA-50-3-6 / 111 NE](#) [11 SMA-50-2-6/111 NH](#) [1-201144-1](#) [120919](#) [R107003010W](#) [R112186000](#)  
[R113053000W](#) [R113082097](#) [R113236000](#) [R114083000](#) [R114670000W](#) [R123415000W](#) [R124072220W](#) [R124076320](#) [R124076450](#)  
[R124175123](#) [R124176123W](#) [R125075000W](#)