

This document contains proprietary information and such information may not be disclosed to others for any purposes,
not used for sales/marketing/procurement purposes without written permission

| REV | DESCRIPTION OF REVISION | ECN NO. | BY | DATE | APPROVED |
|-----|-------------------------|---------|-------|---------|----------|
| A | Initial Release | — | H.wei | 12/7/13 | 12/7/13 |

1 Electrical

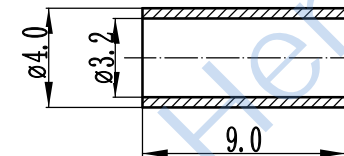
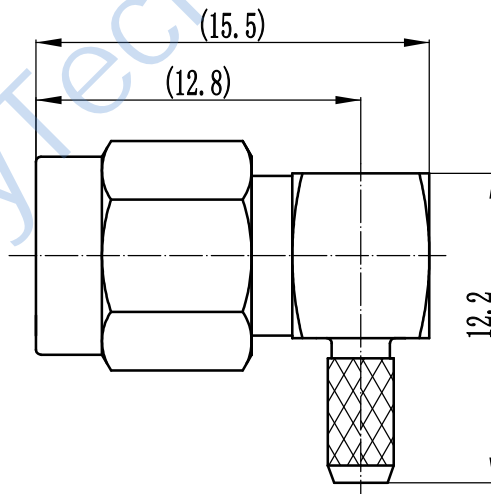
- 1.1 Impedence 50 Ω
- 1.2 Dielectric withstanding voltage 1000V(volts RMS)
- 1.3 Center contact resistance $\leq 3M\Omega$
- 1.4 Outer contact resistance $\leq 2M\Omega$
- 1.5 Insulation resistance: $\geq 5000M\Omega$
- 1.6 Frequency 0-6Ghz

2 Environmental&Mechanical

- 2.1 Temperature range -45 $^{\circ}$ ~-125 $^{\circ}$
- 2.2 RoHS Compliant
- 2.3 Durability >500 cycles

3 Materials&plating

- 3.1 Body: Brass, Gold Plated
- 3.2 Insulator: Teflon
- 3.3 Contact Pin: Brass, Gold Plated
- 3.4 Washer: Phosphor, Gold Plated
- 3.5 Hex Nut: Brass, Gold Plated





Notes:

- 1. ALL SPECIFICATIONS ARE SUBJECT TO CHANGE NOTICE AT ANY TIME
- 2. CUSTOMER OUTLINE DRAWING FOR REFERENCE ONLY

Tel:Lee +86-28-85589664

Web:www.hltchips.com

| | | | | | |
|--|------------------------------|---|------------|------------|--------|
| DRAWN: H.wei 12/07/13 | TITLE: |  | | | |
| ENGINEER: L.yu 12/07/13 | RF Coaxial Connector | | | | |
| APPROVED: W.yi 12/07/13 | SMA Male R/A Conn. For RG316 |  DIMENSION IN MILLIMETERS (mm) | | | |
| TOLERANCES UNLESS OTHERWISE SPECIFIED X ± 0.50 .X ± 0.20 .XX ± 0.10 ANGLES $\pm 1^{\circ}$ | PART NO: HL-SMA-JW3-N | SIZE: A4 | SCALE: N/A | SHEET: 1/1 | REV: A |

X-ON Electronics

Largest Supplier of Electrical and Electronic Components

Click to view similar products for [RF Connectors / Coaxial Connectors](#) category:

Click to view products by [HenryTech](#) manufacturer:

Other Similar products are found below :

[89674-0827](#) [6059674-1](#) [630059-000](#) [6501-1071-002](#) [6769](#) [7002-1541-010](#) [7002-1572-002](#) [7004-1512-000](#) [7009-1511-004](#) [7101-1541-010](#)
[7101-1571-002](#) [7105-1521-002](#) [7145-1521-002](#) [7203-1571-003](#) [7209-1511-011](#) [7210-1511-040](#) [7242-1511-000](#) [7405-1521-005](#) [7405-1521-](#)
[802](#) [804S01D04M040](#) [8527](#) [8547](#) [FS11V](#) [877931](#) [8808-1511-001](#) [9049-9513-000](#) [9074-9513-000](#) [PL11C-026](#) [PL40-36](#) [9408-1113-000](#)
[980-8666-005](#) [11 SMA-50-2-6 / 111 NE](#) [11 SMA-50-3-6 / 111 NE](#) [11 SMA-50-2-6/111 NH](#) [1-201144-1](#) [120919](#) [R107003010W](#) [R112186000](#)
[R113053000W](#) [R113082097](#) [R113236000](#) [R114083000](#) [R114670000W](#) [R123415000W](#) [R124072220W](#) [R124076320](#) [R124076450](#)
[R124175123](#) [R124176123W](#) [R125075000W](#)