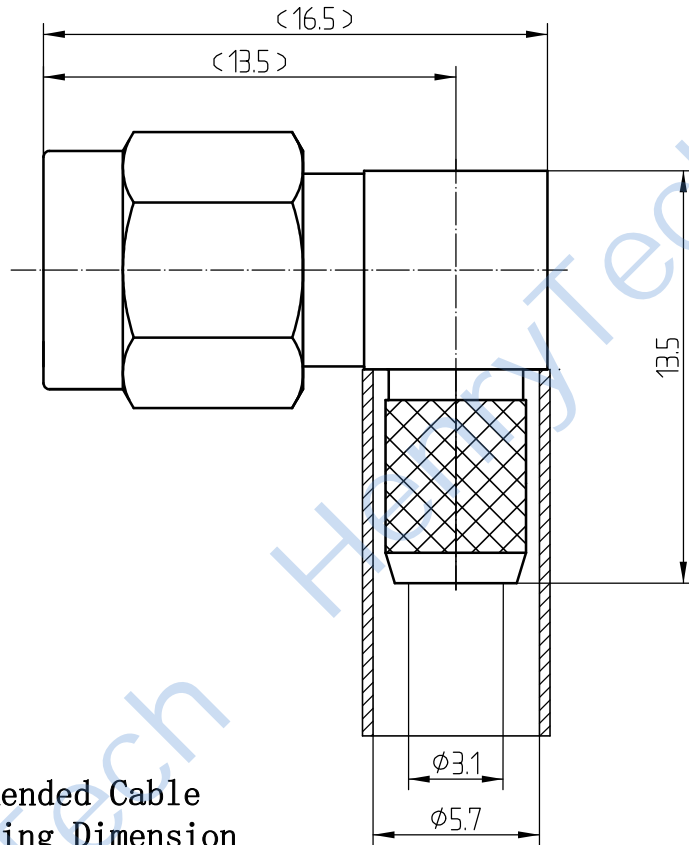
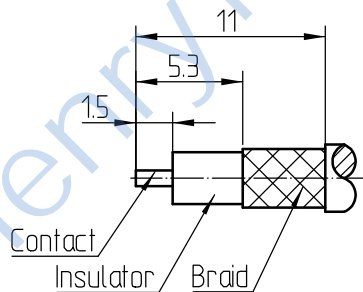


This document contains proprietary information and such information may not be disclosed to others for any purposes, not used for sales/marketing/procurement purposes without written permission

REV	DESCRIPTION OF REVISION	ECN NO.	BY	DATE	APPROVED
A	Initial Release	—	H.wei	23/5/14	23/5/14



Recommended Cable Stripping Dimension



- 1 Electrical
  - 1.1 Impedence 50  $\Omega$
  - 1.2 Frequency DC ~6GHz
  - 1.3 VSWR 1.25:1
- 2 Environmental&Mechanical
  - 2.1 Temperature range -40 $^{\circ}$ C ~+125 $^{\circ}$ C
  - 2.2 RoHs Compliant
  - 2.3 Durability >500 cycles
- 3 Materials&plating
  - 3.1 Body: Brass, Gold Plated
  - 3.2 Insulator: Teflon,
  - 3.3 Contact Pin: Brass, Gold plated
  - 3.4 Nut: Brass, Gold Plated
  - 3.5 Gasket: Silicon Rubber (red color)

Tel:Lee +86-28-85589664  
Web:www.hltchips.com

Notes:

- 1. ALL SPECIFICATIONS ARE SUBJECT TO CHANGE NOTICE AT ANY TIME
- 2. CUSTOMER OUTLINE DRAWING FOR REFERENCE ONLY

DRAWN: H.wei 25/5/14 ENGINEER: L.yu 25/5/14 APPROVED: W.yi 25/5/14 TOLERANCES UNLESS OTHERWISE SPECIFIED X +0.50 .X +0.20 .XX +0.10 ANGLES $\pm 1^{\circ}$	TITLE: RF Coaxial Connector SMA Male RA Conn. for RG142 Cable				
PART NO: HL-SMA-JW5D-A	SIZE: A4	SCALE: N/A	SHBET: 1/1	REV: A	

## X-ON Electronics

Largest Supplier of Electrical and Electronic Components

*Click to view similar products for [RF Connectors](#) / [Coaxial Connectors](#) category:*

*Click to view products by [HenryTech](#) manufacturer:*

Other Similar products are found below :

[89674-0827](#) [6059674-1](#) [630059-000](#) [6501-1071-002](#) [6769](#) [7002-1541-010](#) [7002-1572-002](#) [7004-1512-000](#) [7009-1511-004](#) [7101-1541-010](#)  
[7101-1571-002](#) [7105-1521-002](#) [7145-1521-002](#) [7203-1571-003](#) [7209-1511-011](#) [7210-1511-040](#) [7242-1511-000](#) [7405-1521-005](#) [7405-1521-](#)  
[802](#) [804S01D04M040](#) [8527](#) [8547](#) [FS11V](#) [877931](#) [8808-1511-001](#) [9049-9513-000](#) [9074-9513-000](#) [PL11C-026](#) [PL40-36](#) [9408-1113-000](#)  
[980-8666-005](#) [11 SMA-50-2-6 / 111 NE](#) [11 SMA-50-3-6 / 111 NE](#) [11 SMA-50-2-6/111 NH](#) [1-201144-1](#) [120919](#) [R107003010W](#) [R112186000](#)  
[R113053000W](#) [R113082097](#) [R113236000](#) [R114083000](#) [R114670000W](#) [R123415000W](#) [R124072220W](#) [R124076320](#) [R124076450](#)  
[R124175123](#) [R124176123W](#) [R125075000W](#)