

This document contains proprietary information and such information may not be disclosed to others for any purposes, not used for sales/marketing/procurement purposes without written permission

REV	DESCRIPTION OF REVISION	ECN NO.	BY	DATE	APPROVED
A	Initial Release	—	H.wei	14/9/13	14/9/13

1 Electrical

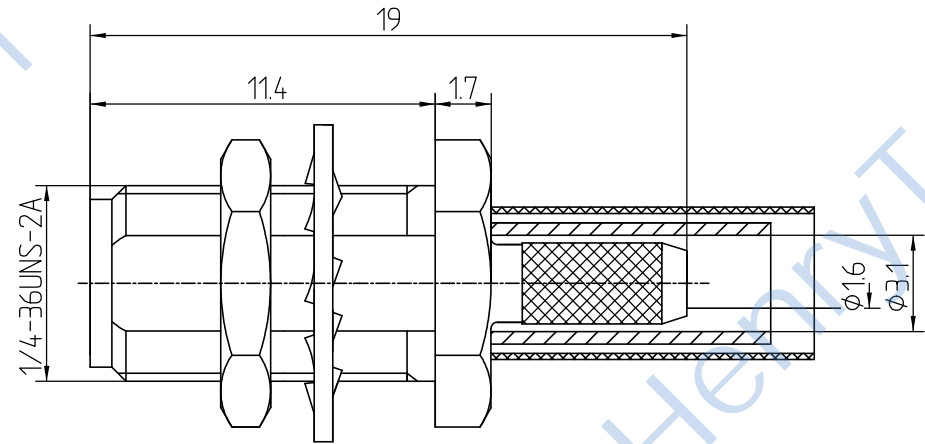
- 1.1 Impedence **50Ω**
- 1.2 Frequency **0~6GHz**
- 1.3 Dielectric withstanding voltage **1000V(volts RMS)**
- 1.4 Center contact resistance **≤ 3MΩ**
- 1.5 Outer contact resistance **≤ 2MΩ**
- 1.6 Insulation resistance: **≥5000MΩ**
- 1.7 VSWR **1.25:1**

2 Environmental&Mechanical

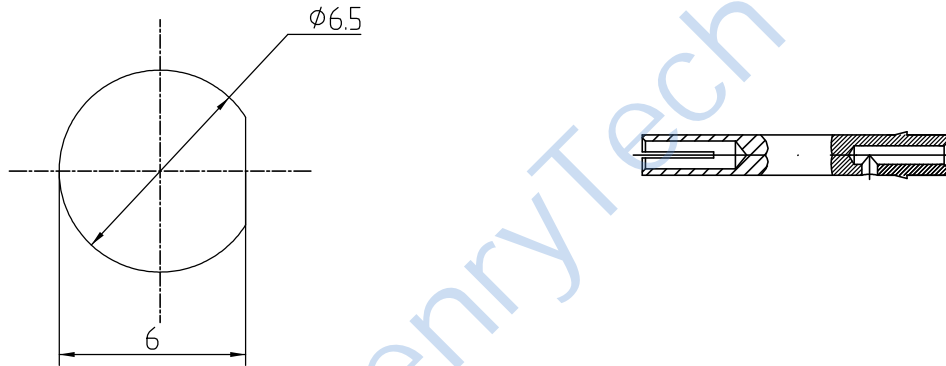
- 2.1 Temperature range **-45℃~125℃**
- 2.2 RoHs Compliant
- 2.3 Durability **>500 cycles**

3 Materials&Finish

- 3.1 Body: **Brass, Gold Plated**
- 3.2 Insulator: **Teflon**
- 3.3 Contact Pin: **Beryllium-copper. Gold plated**
- 3.4 Washer: **Brass, Gold plated**
- 3.5 Hex Nut: **Brass, Gold plated**



Mounting Hole



Tel:Lee +86-28-85589664
Web:www.hltchips.com

Notes:

- 1. ALL SPECIFICATIONS ARE SUBJECT TO CHANGE NOTICE AT ANY TIME
- 2. CUSTOMER OUTLINE DRAWING FOR REFERENCE ONLY

DRAWN: H.wei 14/9/13 ENGINEER: L.yu 14/9/13 APPROVED: W.yi 14/9/13 TOLERANCES UNLESS OTHERWISE SPECIFIED X ±0.50 X ±0.20 XX ±0.10 ANGLES ±1°	TITLE: RF Coaxial Connector SMA Female bulkhead Conn. For RG316 cable	
PART NO: HL-SMA-KY3F	SIZE: A4 SCALE: N/A SHEET: 1/1 REV: A	DIMENSION IN MILLIMETERS (mm)

X-ON Electronics

Largest Supplier of Electrical and Electronic Components

Click to view similar products for [RF Connectors](#) / [Coaxial Connectors](#) category:

Click to view products by [HenryTech](#) manufacturer:

Other Similar products are found below :

[89674-0827](#) [6059674-1](#) [630059-000](#) [6501-1071-002](#) [6769](#) [7002-1541-010](#) [7002-1572-002](#) [7004-1512-000](#) [7009-1511-004](#) [7101-1541-010](#)
[7101-1571-002](#) [7105-1521-002](#) [7145-1521-002](#) [7203-1571-003](#) [7209-1511-011](#) [7210-1511-040](#) [7242-1511-000](#) [7405-1521-005](#) [7405-1521-](#)
[802](#) [804S01D04M040](#) [8527](#) [8547](#) [FS11V](#) [877931](#) [8808-1511-001](#) [9049-9513-000](#) [9074-9513-000](#) [PL11C-026](#) [PL40-36](#) [9408-1113-000](#)
[980-8666-005](#) [11 SMA-50-2-6 / 111 NE](#) [11 SMA-50-3-6 / 111 NE](#) [11 SMA-50-2-6/111 NH](#) [1-201144-1](#) [120919](#) [R107003010W](#) [R112186000](#)
[R113053000W](#) [R113082097](#) [R113236000](#) [R114083000](#) [R114670000W](#) [R123415000W](#) [R124072220W](#) [R124076320](#) [R124076450](#)
[R124175123](#) [R124176123W](#) [R125075000W](#)