

This document contains proprietary information and such information may not be disclosed to others for any purposes, not used for sales/marketing/procurement purposes without written permission

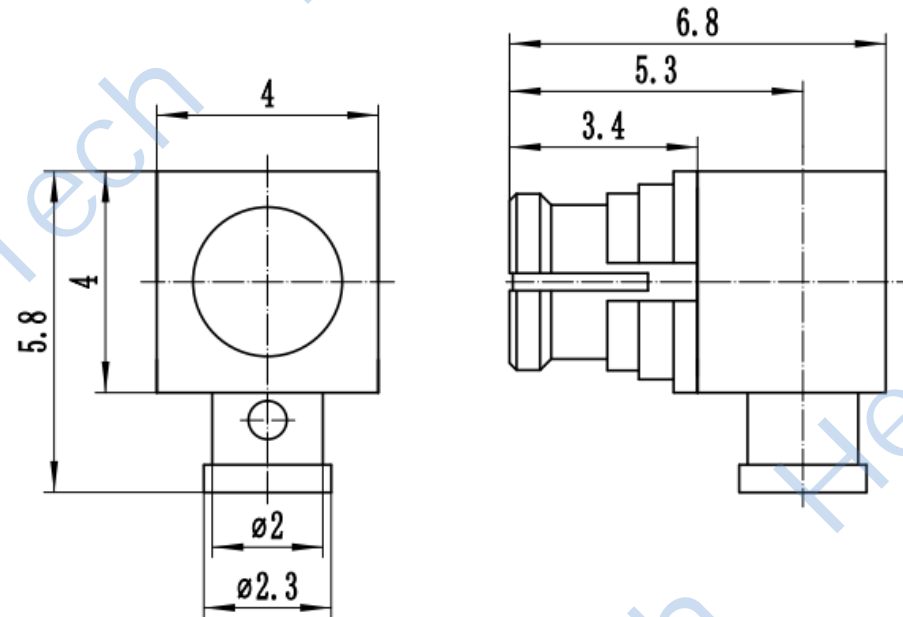
REV	DESCRIPTION OF REVISION	ECN NO.	BY	DATE	APPROVED
A	Initial Release	—	H.wei	19/03/17	19/03/17

1 Electrical

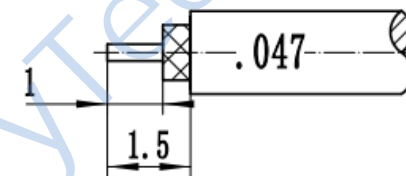
- 1.1 Impedance: 50 Ω
- 1.2 Frequency: DC~18.0GHz
- 1.3 VSWR: ≤1.30
- 1.4 Insulation resistance: ≥5000M Ω
- 1.5 Dielectric strength: 500V
- 1.6 Contact resistance
 - Center contact ≤ 6.0M Ω
 - Outer contact ≤ 2.0M Ω

2 Materials&Finish

- 2.1 Inner Contact: Beryllium-Copper, Gold plated
- 2.2 Outer Contact: Beryllium-Copper, Gold plated
- 2.3 Insulators: PTFE



Recommended cable stripping dimensions



Notes:

- 1. ALL SPECIFICATIONS ARE SUBJECT TO CHANGE NOTICE AT ANY TIME
- 2. CUSTOMER OUTLINE DRAWING FOR REFERENCE ONLY

Tel:Lee +86-28-85589664

Web:www.hltchips.com

DRAWN: H.wei 19/03/17 ENGINEER: L.yu 19/03/17 APPROVED: W.yi 19/03/17 TOLERANCES UNLESS OTHERWISE SPECIFIED X ±0.50 .X ±0.20 .XX ±0.10 ANGLES ±1°	TITLE: RF Coaxial Connector SMP Female for 047 Cable		
PART NO: HL-SMP-KWB1	DIMENSION IN MILLIMETERS (mm) 		
SIZE: A4	SCALE: N/A	SHEET: 1/1	REV: A

X-ON Electronics

Largest Supplier of Electrical and Electronic Components

Click to view similar products for [RF Connectors](#) / [Coaxial Connectors](#) category:

Click to view products by [HenryTech](#) manufacturer:

Other Similar products are found below :

[89674-0827](#) [6059674-1](#) [630059-000](#) [6501-1071-002](#) [6769](#) [7002-1541-010](#) [7002-1572-002](#) [7004-1512-000](#) [7009-1511-004](#) [7101-1541-010](#)
[7101-1571-002](#) [7105-1521-002](#) [7145-1521-002](#) [7203-1571-003](#) [7209-1511-011](#) [7210-1511-040](#) [7242-1511-000](#) [7405-1521-005](#) [7405-1521-](#)
[802](#) [804S01D04M040](#) [8527](#) [8547](#) [FS11V](#) [877931](#) [8808-1511-001](#) [9049-9513-000](#) [9074-9513-000](#) [PL11C-026](#) [PL40-36](#) [9408-1113-000](#)
[980-8666-005](#) [11 SMA-50-2-6 / 111 NE](#) [11 SMA-50-3-6 / 111 NE](#) [11 SMA-50-2-6/111 NH](#) [1-201144-1](#) [120919](#) [R107003010W](#) [R112186000](#)
[R113053000W](#) [R113082097](#) [R113236000](#) [R114083000](#) [R114670000W](#) [R123415000W](#) [R124072220W](#) [R124076320](#) [R124076450](#)
[R124175123](#) [R124176123W](#) [R125075000W](#)