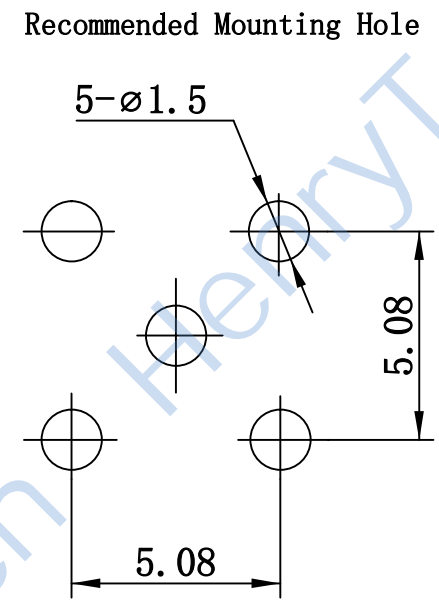
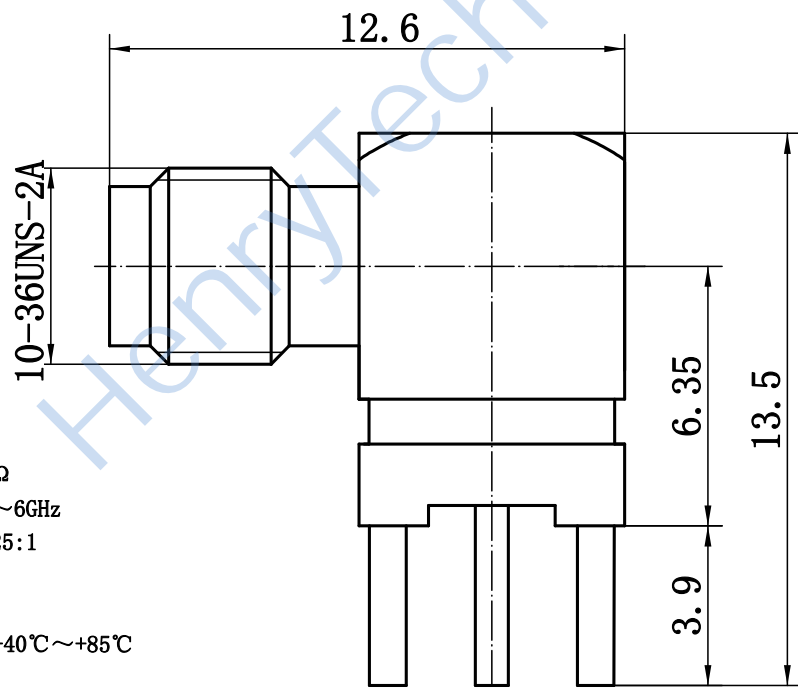



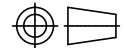
This document contains proprietary information and such information may not be disclosed to others for any purposes, not used for sales/marketing/procurement purposes without written permission

REV	DESCRIPTION OF REVISION	ECN NO.	BY	DATE	APPROVED
A	Initial Release	—	H.wei	19/03/17	19/03/17



- 1 Electrical
  - 1.1 Impedence 50 Ω
  - 1.2 Frequency DC~6GHz
  - 1.3 VSWR 1.25:1
- 2 Environmental&Mechanical
  - 2.1 Temperature range -40℃~+85℃
  - 2.2 RoHs Compliant
  - 2.3 Durability >500 cycles
- 3 Materials&plating
  - 3.1 Body: Brass; Gold plated
  - 3.2 Insulator: Teflon
  - 3.3 Contact Pin: Beryllium-copper, Gold plated

Notes:  
 1. ALL SPECIFICATIONS ARE SUBJECT TO CHANGE NOTICE AT ANY TIME  
 2. CUSTOMER OUTLINE DRAWING FOR REFERENCE ONLY

DRAWN: H.wei 19/03/17	TITLE:				
ENGINEER: L.yu 19/03/17	RF Coaxial Connector SSMA Female R/A Conn. PCB Mount				
APPROVED: W.yi 19/03/17		 DIMENSION IN MILLIMETERS (mm)			
TOLERANCES UNLESS OTHERWISE SPECIFIED	PART NO: HL-SSMA-KWHD-1	SIZE: A4	SCALE: N/A	SHEET: 1/1	REV: A
X ±0.50					
X ±0.20					
XX ±0.10					
ANGLES ±1°					

## X-ON Electronics

Largest Supplier of Electrical and Electronic Components

*Click to view similar products for [RF Connectors / Coaxial Connectors](#) category:*

*Click to view products by [HenryTech](#) manufacturer:*

Other Similar products are found below :

[89674-0827](#) [6059674-1](#) [630059-000](#) [6501-1071-002](#) [6769](#) [7002-1541-010](#) [7002-1572-002](#) [7004-1512-000](#) [7009-1511-004](#) [7101-1541-010](#)  
[7101-1571-002](#) [7105-1521-002](#) [7145-1521-002](#) [7203-1571-003](#) [7209-1511-011](#) [7210-1511-040](#) [7242-1511-000](#) [7405-1521-005](#) [7405-1521-](#)  
[802](#) [804S01D04M040](#) [8527](#) [8547](#) [FS11V](#) [877931](#) [8808-1511-001](#) [9049-9513-000](#) [9074-9513-000](#) [PL11C-026](#) [PL40-36](#) [9408-1113-000](#)  
[980-8666-005](#) [11 SMA-50-2-6 / 111 NE](#) [11 SMA-50-3-6 / 111 NE](#) [11 SMA-50-2-6/111 NH](#) [1-201144-1](#) [120919](#) [R107003010W](#) [R112186000](#)  
[R113053000W](#) [R113082097](#) [R113236000](#) [R114083000](#) [R114670000W](#) [R123415000W](#) [R124072220W](#) [R124076320](#) [R124076450](#)  
[R124175123](#) [R124176123W](#) [R125075000W](#)