

## Features

- low cost
- small size
- 7 sections
- temperature stable
- hermetically sealed
- LTCC construction
- excellent power handling, 7W

## Applications

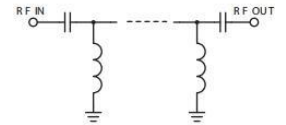
- sub-harmonic rejection
- transmitters/receivers
- lab use

## HT-HFCN-1500+

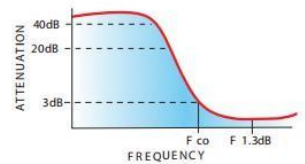


50Ω 1600 to 5500 MHz

### electrical schematic



### typical frequency response



### Maximum Ratings

Operating Temperature -55°C to 100°C

Storage Temperature -55°C to 100°C

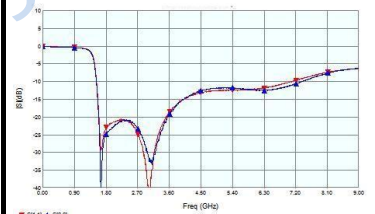
RF Power Input 7W at 25°C

\* Passband rating, derate linearly to 3W at 100°C ambient.  
Permanent damage may occur if any of these limits are exceeded.

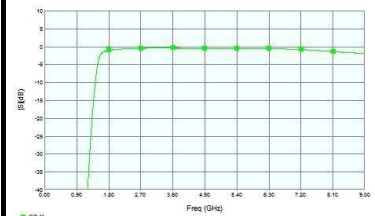
### Pin Connections

RF IN	1
RF OUT	3
GROUND	2,4

### HT-HFCN-1500+ s2p



### HT-HFCN-1500+ s2p



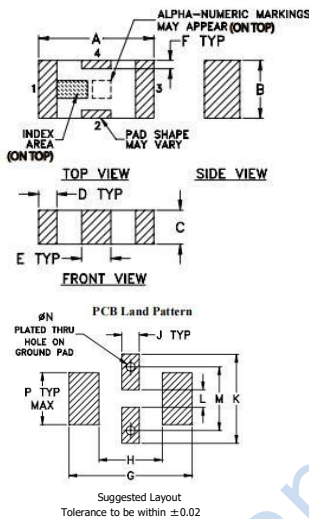
### Electrical Specifications (T<sub>AMB</sub>= 25° C)

STOP BAND (MHz)	FCO,(MHz) Nom.	PASS BAND (MHz)	VSWR (:1)	POWER INPUT (W)	NO. OF SECTIONS
(Loss>30dB) Typ.	(Loss 3dB) Typ.	(Loss<1.3dB) Max.	Stopband Frequency (MHz) 1.5:1		
(Loss>20dB) Min.		(Loss<2dB) Max.			
1060	1250	1550	1850-4400 1600-5500	20:1 1620-3450	7

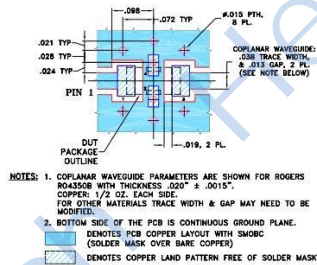
### Typical Performance Data at 25° C

Frequency (MHz)	Insertion Loss (dB)	VSWR (:1)
1	85.04	3056.88
100	59.12	178.78
1060	47.45	32.79
1250	31.82	20.63
1400	12.19	8.19
1480	5.29	3.25
1550	2.52	1.62
1600	1.78	1.22
1620	1.60	1.14
1850	0.91	1.16
2000	0.74	1.19
3450	0.38	1.19
4400	0.55	1.55
5500	0.57	1.63
7700	1.07	2.24
9000	1.85	2.87

### Outline Drawing



### Demo Board P/N: TB-270 Suggested PCB Layout (PL-137)



- NOTES: 1. COPLANAR WAVEGUIDE PARAMETERS ARE SHOWN FOR ROGERS RO4350B WITH THICKNESS .020" ± .0015". COPPER 1/2 OZ. EACH SIDE. FOR OTHER MATERIALS TRACE WIDTH & GAP MAY NEED TO BE MODIFIED.
2. BOTTOM SIDE OF THE PCB IS CONTINUOUS GROUND PLANE. (SOLDER MASK OVER BARE COPPER)
- DENOTES PCB COPPER LAYOUT WITH SMOBC (SOLDER MASK OVER BARE COPPER)
- DENOTES COPPER LAND PATTERN FREE OF SOLDER MASK

### Outline Dimensions: Unit (mm)

A	3.20	B	1.60	C	0.94
D	0.51	E	0.81	F	0.23
G	4.29	H	2.21	J	0.61
K	3.10	L	0.61	M	2.21
N	0.30	P	1.80	wt	0.02g

## X-ON Electronics

Largest Supplier of Electrical and Electronic Components

*Click to view similar products for [Signal Conditioning](#) category:*

*Click to view products by [HenryTech](#) manufacturer:*

Other Similar products are found below :

[PD0409J5050S2HF](#) [HHS-109-PIN](#) [AFS14A35-1591.50-T3](#) [JP510S](#) [LFB322G45SN1A504](#) [SF2159E](#) [FM-104-PIN](#) [CER0813B](#)  
[MAPDCC0005](#) [3A325](#) [BD0810N50100AHF](#) [DC0710J5005AHF](#) [DC2327J5005AHF](#) [LFL15869MTC1B787](#) [X3C19F1-20S](#)  
[CDBLB455KCAX39-B0](#) [RF1353C](#) [051157-0000](#) [PD0922J5050D2HF](#) [600S150FTRB](#) [1E1305-3](#) [1F1304-3S](#) [TP-103-PIN](#)  
[BD1222J50200AHF](#) [BD1722J50100AHF](#) [2450DP39K5400E](#) [BD0810J50150AHF](#) [BD1722J50200AHF](#) [DS-327-PIN](#) [MACP-008125-](#)  
[CK07F0](#) [DS-329-PIN](#) [DS-313-PIN](#) [TP-104-PIN](#) [TP-101-PIN](#) [HH-128-PIN](#) [8594810000](#) [T-1000-N](#) [JP506S](#) [XC0900P-10S](#) [XC0900B-30S](#)  
[CHE1260-QAG](#) [11305-10](#) [5962-9091202MXA](#) [3A412S](#) [X3C06A4-03S](#) [B39000Z3410A4](#) [DSS-333-PIN](#) [PD2425J5050S2HF](#)  
[B39242B4360P810](#) [B39781B8005P810](#)